



ELX LED Exit Series AC and Self-Powered models



WARNING:
Risk of Shock.
Disconnect Power before Installation.



IMPORTANT SAFEGUARDS

When using electrical equipment, basic safety precautions should always be followed including the following:

READ AND FOLLOW ALL SAFETY INSTRUCTIONS

1. All servicing should be performed by qualified service personnel.
2. Disconnect power at fuse or circuit breaker before installing or servicing.
3. All electrical connections must be in accordance with local codes, ordinances and the National Electric code.
4. Do not use outdoors.
5. Do not let power supply cords touch hot surfaces.
6. Do not mount near gas or electric heaters.
7. Equipment should be mounted in locations and at heights where it will not readily be subjected to tampering by unauthorized personnel.
8. The use of accessory equipment not recommended by the manufacturer may cause an unsafe condition.
9. Do not use this equipment for other than intended use.
10. Allow battery to charge for 24 hours before first use.

SAVE THESE INSTRUCTIONS

Installation Instructions

1. Turn off AC power.
2. Using a flat head screwdriver, insert the blade into the slots and gently pry off the front cover (see figure 4).
3. Follow the proper mounting procedure below.

Wall Mount (see figure 1)

- a. With the front cover open, remove the center and appropriate knockouts in the back plate to mount to the junction box.
- b. Route AC supply leads through the center hole for the back plate.
- c. Mount the unit securely to the junction box using the junction box screws.
- d. For electrical connections see section 4 below.

Ceiling or End mount

- a. Attach crossbar to junction box, set the longer blade of the crossbar to touch the junction box.
- b. Remove the mounting hole cover from the top or side of the unit depending on your mounting configuration (see figures 2 and 3)
- c. Install canopy according to mounting configuration (see figures 2,3 and 5).

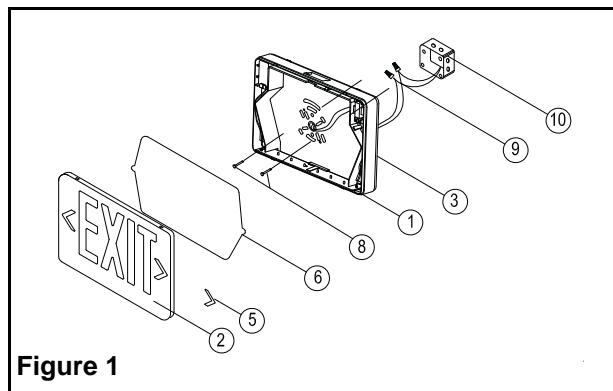


Figure 1

Parts List

- | | |
|--------------------------|------------------------------------|
| 1. Housing | 8. Canopy screws |
| 2. EXIT panel | 9. Wire nuts |
| 3. Back plate | 10. Junction box (not supplied) |
| 4. Mounting hole cover | 11. Crossbar |
| 5. Chevron | 12. Crossbar screws (not provided) |
| 6. Red or green diffuser | |
| 7. Canopy | |

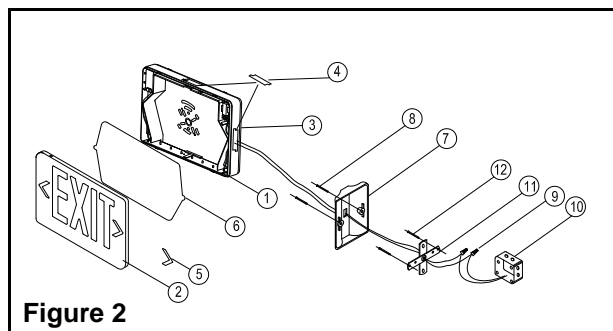


Figure 2

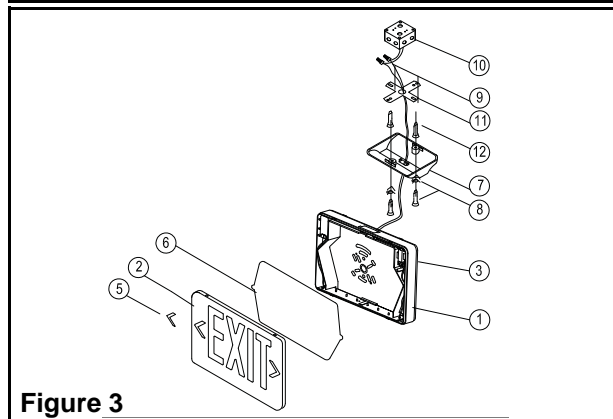


Figure 3

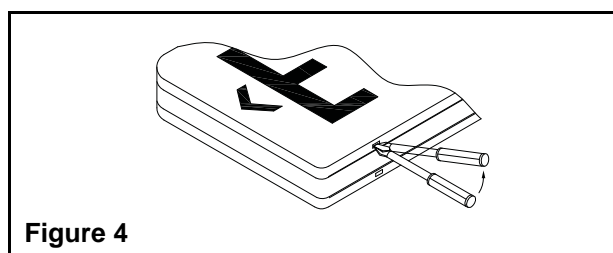


Figure 4

- d. Route AC supply leads through the top or side hole of housing.
Note: to avoid shadowing secure wires into wire guides located on the sides of the housing.
- 4. Make the proper connections (see figure 6):
 - a. For 120VAC, connect the black wire (120VAC) and white (neutral) to the building utility.
 - b. For 277VAC, connect the orange wire (277VAC) and white (neutral) to the building utility.

CAUTION! Risk of electrical shock. Cap unused wires. In all cases, use suitable wire nuts rated for the applicable voltage to connect to wires.

- c. Feed wires back into the junction box and secure the canopy to the crossbar so that the canopy is tight against the wall or ceiling.
- 5. Snap chevrons to the EXIT panel if required.
- 6. For self-powered units attach battery connectors together.
- 7. Reinstall the front panel.

Self-Powered Models

For test procedures refer to addendum for self-diagnostics and self-testing option.

Maintenance

None required. If AC supply to the unit is to be disconnected for 2 months or more, the battery must be disconnected, Self-Powered Models only. Equipment must be tested regularly in accordance with local codes.

Insert canopy into housing at 20 degree angle and twist. Quick snap is now locked firmly.
Caution: Trying to remove the canopy after it is locked into place may cause damage.

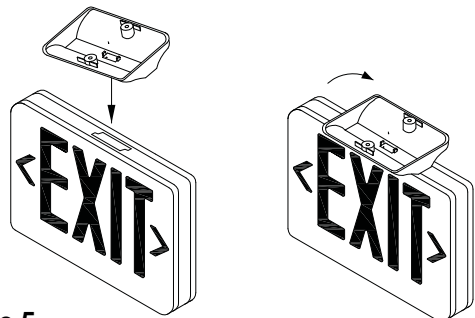


Figure 5

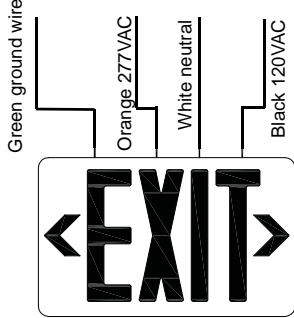
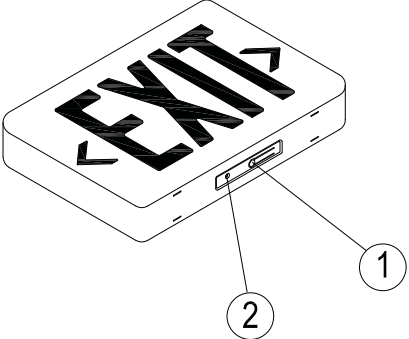
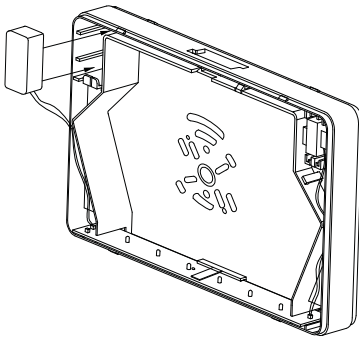


Figure 6



1) Manual battery test switch
2) Red LED (indicates normal operation)

Figure 7



Note: battery is shipped disconnected
Connect battery before closing unit

Figure 8