

EF41 - Remote Heads

WARNING:
Risk of Electrical Shock.
Disconnect Power before Installation.

IMPORTANT SAFEGUARDS

When using electrical equipment, basic safety precautions should always be followed including the following:

READ AND FOLLOW ALL SAFETY INSTRUCTIONS.

1. Servicing of this equipment should be performed by qualified service personnel.
2. Make sure the area is clear of all HAZARDS before installing or servicing the unit.
3. Turn off electrical power before and during installation and maintenance.
4. Before conducting maintenance, turn off the unit and wait for it to cool.
5. Do not install where the marked operating temperatures (T-Code) exceed the ignition temperature of the hazardous atmosphere.
6. Do not operate in ambient temperatures above those indicated on the rating labels.
7. Keep tightly closed when in operation.
8. Do not use outdoors.
9. Do not let the power cords touch hot surfaces.
10. Do not mount near gas or electric heaters.
11. Use caution when handling batteries. Battery acid can cause burns to the skin and eyes. If acid is spilled on the skin or eyes, flush affected area with fresh water and contact a physician immediately.
12. Avoid possible shorting.
13. Equipment should be mounted in locations and at heights where it will not readily be subjected to tampering by unauthorized personnel.
14. The use of accessory equipment not recommended by the manufacturer may cause an unsafe condition.
15. Do not use this equipment for other than intended use.

SAVE THESE INSTRUCTIONS

Installation Instructions

IMPORTANT: Install fixture/lamp type combination no higher than the maximum mounting heights as stipulated in the "Lamp Mounting Height Cross-reference Table" (P/N 750.1924). Refer to "Technical Information" section of our website.

1. Turn off power.
2. Remove the lens (3).
3. Install the junction box on the wall or ceiling (9).

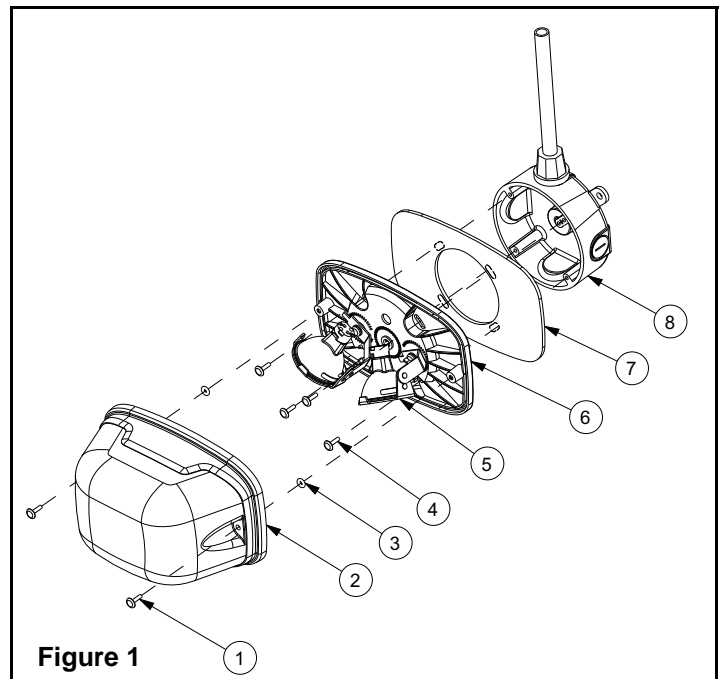
4. Install the gasket (8) on to the back plate(7).
5. Connect the lamp wires to the emergency circuit using wire nuts provided with the unit. For double lamp assembly fixtures, lamps should be connected in parallel, not in series. Refer to lamp voltage indicated on the unit. For 120V units, connect the ground(green wire).
6. Fasten the back plate to the junction box.
7. Adjust the lamp assemblies:
 - Rotation: hold the lamp assembly and turn it to either side.
 - Tilting: hold the lamp assembly and tilt it up or down.
8. Before installing the lens, make sure there is no particles on the gaskets, this can affect sealing. Secure the lens to the back plate with the screws provided. Make sure the o-rings (4) are installed between the lens and the back plate, as shown in figure 1.

ATTENTION: All lens and junction box screws must be tightened to a torque of 15inlb and plugs properly sealed with a sealing compound.

9. Turn on power and check the operation of you lighting fixture.

Lamp replacement

Refer to the relamping label located on the lamp holder for the recommended voltage and wattage. Do not exceed recommended voltage or wattage.



Parts List

- | | |
|----------------------------|------------------------------------------|
| 1. Lens screw (2) | 5. Head (1 or 2) |
| 2. Lens | 6. Back plate |
| 3. O-ring (2) | 7. Gasket |
| 4. Junction box screws (4) | 8. Junction box (provided with the unit) |