

GSM10

Recessed Emergency Light

	<p>WARNING: Risk of Electrical Shock. Disconnect Power before Installation.</p>	
--	--	--

IMPORTANT SAFEGUARDS

When using electrical equipment, basic safety precautions should always be followed including the following:

READ AND FOLLOW ALL SAFETY INSTRUCTIONS

1. All servicing should be performed by qualified service personnel.
2. All electrical connections must be in accordance with local codes, ordinances and the National Electric code.
3. All unused wires must be insulated to prevent shorting.
4. Do not use outdoors.
5. Do not let power supply cords touch hot surfaces.
6. Do not mount near gas or electric heaters.
7. Equipment should be mounted in locations and at heights where it will not readily be subjected to tampering by unauthorized personnel.
8. The use of accessory equipment not recommended by the manufacturer may cause an unsafe condition.
9. Do not use this equipment for other than intended use.
10. Use caution when handling batteries. Battery acid can cause burns to the skin and eyes. If acid is spilled on the skin or eyes, flush affected area with fresh water and contact a physician immediately.
11. Avoid possible shorting.
12. The lamp operates at a high temperature. Do not store flammable materials near lamp.
13. When relamping, only use lamps specified on the Gimbal / Lamp assembly.
14. Allow battery to charge for 24 hours before first use.

SAVE THESE INSTRUCTIONS

Installation Instructions

	<p>IMPORTANT: Install product no higher than the maximum mounting height of 7 feet 6 inches from the floor.</p>
--	--

1. Turn off AC power.
2. Carefully remove unit from carton. Place Gimbal / Lamp assembly aside.
3. Follow the appropriate mounting procedure according to the type of installation below.

New sheet rock construction (Figure 2)

- a. Measure distance from ceiling and mark position of housing to be installed between joists.
- b. Extend hanger bars and level to lower edge of joists.
- c. Hammer nailing tabs into joists.

Suspended ceiling (Figure 3)

- a. Remove the four hanger bar nails.
- b. Place assembly on top of T-bar grid members.

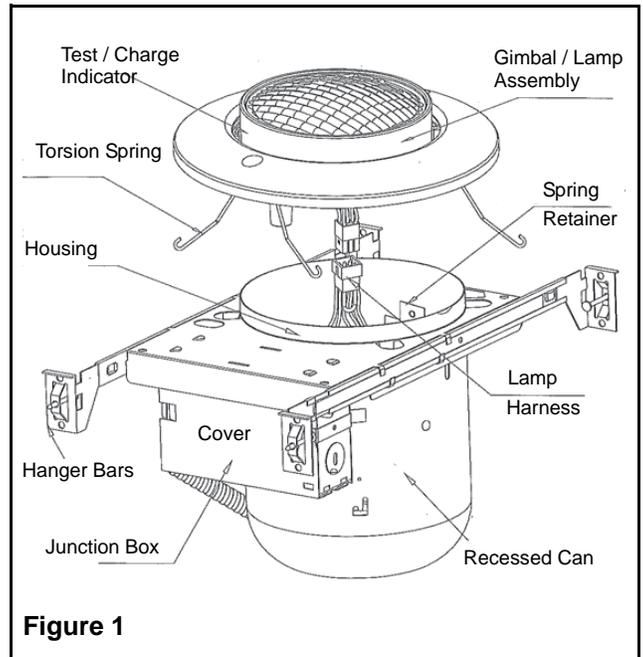


Figure 1

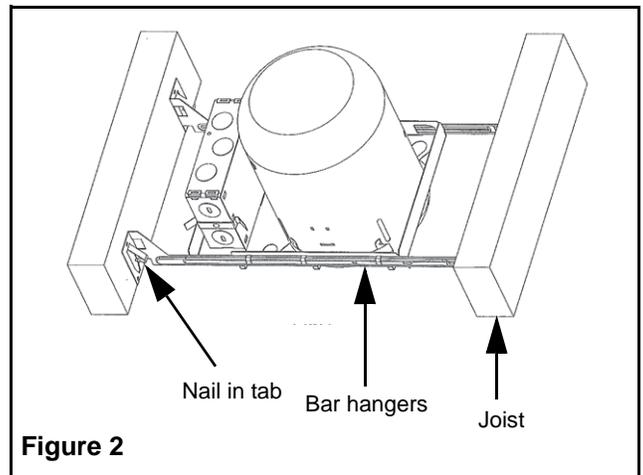


Figure 2

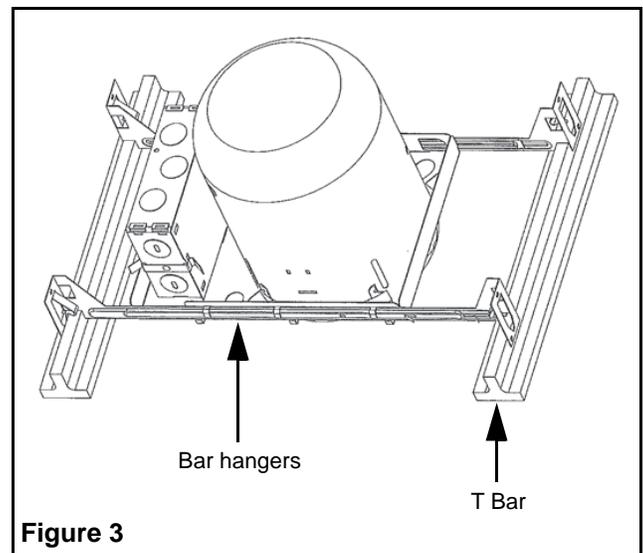


Figure 3

- c. Properly secure the fixture to the ceiling joists with wire (not provided).
4. Carefully measure the position of the fixture. Using the recessed can as a guide cut a hole in the desired location in the sheet rock or ceiling panel.
5. Remove the junction box cover by releasing the spring. Open the appropriate knockout for the supply wires on the junction box. Insert electrical supply cable through knockout in the junction box. Supply wire insulation must be rated for at least 90°C.
6. Make the proper connections:
 - a. For 120Vac, connect the black wire (120Vac) and white wire (neutral) to the building utility.
 - b. For 277Vac, connect the orange wire (277Vac) and white wire (neutral) to the building utility.
 - c. Connect green wire to the ground.
7. Place all wiring and connections back into the junction box and replace cover.
8. Place the sheet rock or ceiling panel in position.
9. Connect the lamp harness together (fig.1).
10. Install Gimbal / Lamp assembly to the recessed can by carefully compressing and releasing the torsion springs inside the spring retainer located in the can.
11. Energize circuit. The LED indicator will turn on.

Manual Test

Press and hold the test button located on the Gimbal / Lamp assembly. The LED indicator will turn off and the emergency light will turn on.

Maintenance

None required. The unit should be tested monthly in accordance with NFPA 101, Life Safety Code, Local and State codes.

If the AC supply to the fixture is to be disconnected for 2 months or more, the battery must be disconnected.

Warranty: For the complete warranty information, please refer to the landing page of our website (<http://www.emergi-lite.com/usa/>).