

New product

CM-PB-EL Series

Miniature LED battery unit

**Housing**

- UV stabilized thermoplastic body
- Two fully adjustable glare-free heads
- White finish

Mounting

- Ceiling or wall mount
- Universal J-box mounting

Lamp type

- Two 3.6V-2W LED heads, 150 lumens per head

Electronics

- Pulse plus charger
- Low voltage disconnect
- Automatic brownout protection
- Battery lock-out
- Fused output circuit
- 120/277/347 50/60Hz

Battery type

- 3.6V maintenance free rechargeable nickel-cadmium battery

Approvals

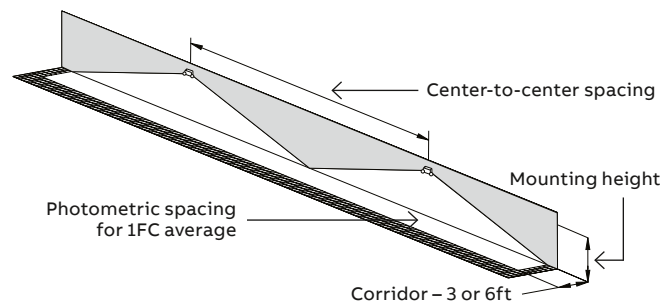
- CSA-US (to UL 924 standards)
- Damp location (41°F to 86°F)
- UL 94, 5VA flame rated

Warranty (subject to proper installation and maintenance)

- Unit has a three-year warranty
- Detailed warranty terms located on page 202 or online at:
www.emergi-lite.com/usa/files/EL_Warranty.pdf

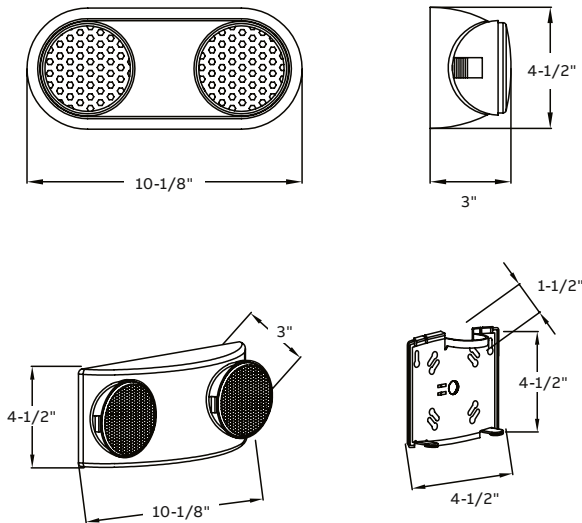
Photometric performance

Spacing center-to-center (feet) – 7.5' mounting height	
3 foot corridor	6 foot corridor
39'	34'



Dimensions

Dimensions are approximate and subject to change.



Power consumption and unit rating

Series		Wattage	Current	AC specs
				Efficiency
CM-PB-EL	120V, 50/60 Hz	1.6W	0.012A	0.96PF
	277V, 50/60 Hz	1.8W	0.007A	0.92PF
	347V, 50/60 Hz	2.4W	0.007A	0.92PF

How to order

Series	Voltage
CM-PB-EL	Blank= 120/277/347VAC

Example: CM-PB-EL