

X10 LED Series

Steel LED exit and mini-system combination units



Construction

- Steel housing
- Standard off-white finish, optional black finish or brushed aluminum
- Choice of MR16 LED lamp wattages
- Heads available in thermoplastic or decorative die-cast aluminum
- 6 inch EXIT lettering legend, available in red or green
- Field-selectable chevrons

Mounting

- Surface mount
- Canopy included for end or ceiling mount applications
- Universal J-box mounting

Combo units

- SBX14 model, lead-calcium battery, 6V-30W total battery capacity
- STX14 model, nickel-cadmium battery, 6V-24W total battery capacity

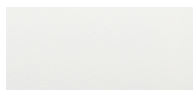
Exit sign

- X14 model, exit sign, AC-Only, 120/277VAC, 50/60Hz
- SNX14 model, nickel-cadmium battery

Photometric performance

Lamp	Spacing center-to-center (feet)	
	7' mounting height	15' mounting height
LA	43'	36'
LB	81'	64'

Housing color



White



Black



Textured aluminum

Lamp head source

- MR16 LED 6V 4W or 6V 5W

Electronics

- Optional Advanced Diagnostics
- Optional Nexus® monitoring system

Special wording panels

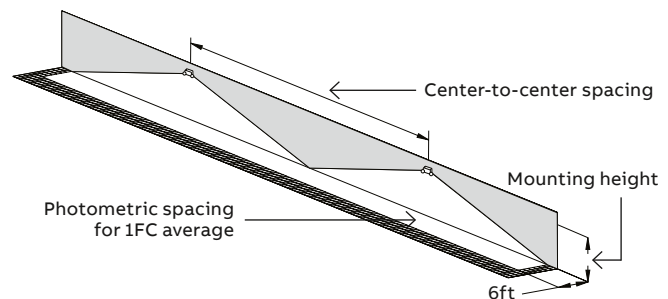
- Available. Contact your sales representative with your design requirements

Approvals

- UL 924 listed
- Meets NFPA101 (Life Safety Code), NFPA 70-NEC and OSHA illumination standards
- E-California Energy Commission Title 20 (Exit sign only)

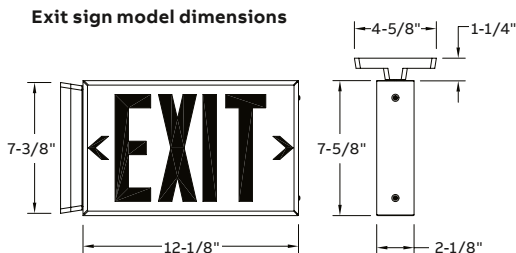
Warranty

- Unit has a three-year limited warranty
Detailed warranty terms located on page 202 or online at:
www.emergi-lite.com/usa/files/EL_Warranty.pdf

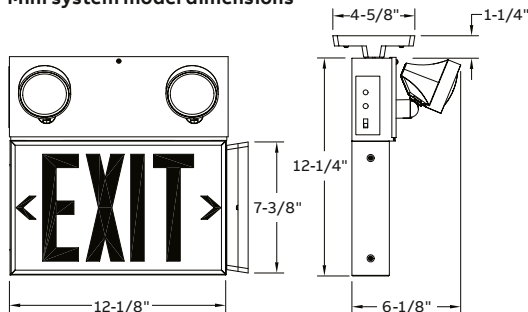


Dimensions

Dimensions are approximate and subject to change.



Mini system model dimensions



Power consumption – LED exit signs

Model	AC specs		DC specs	
AC-only	120 to 277 VAC	Less than 1.5W	-	-
AC/DC	120 to 277 VAC	Less than 1.5W	6 to 24 VDC	Less than 1.5W
Self-powered	120 to 277 VAC	Less than 3W	Nickel-cadmium	Min. 90 minutes

Power consumption – Mini-system combination units¹

Battery type	DC voltage	Model number	Battery capacity in watts			
			1-1/2 hrs	2 hrs	3 hrs	4 hrs
Lead-calcium	6	SBX14	30	20	15	10
Nickel-cadmium	6	STX14	24	18	12	9

¹120/277VAC 60Hz, 0.3/0.15 Amp.
Unit rating - Total DC power available for local and remote emergency lights.

Accessories (order as a separate item)

Description	Suffix
White pendant	P-WT ¹
Black pendant	P-BK ¹
Wire guard ceiling mount (exit only)	WG5-E
Wire guard end mount (exit only)	WG5-E
Wire guard for wall mount (AC only, AC/DC & self-powered exit signs)	WG12-E
Wire guard for wall mount (mini system or combo)	WG6-E

¹Specify pendant length in inches

How to order

DC input	Series	Housing color	Battery type	Legend colors	
Blank= No DC input DC= 6V to 24VDC ¹	L= LED exit sign	W= White B= Black A= Textured aluminum	Exit sign models X14= AC only or AC/DC SNX14= Ni-Cd 120/277VAC Mini system combination units SBX14= 6V-30W lead-calcium STX14= 6V-24W nickel-cadmium ² SXX14= 6V-20W nickel-cadmium ²	R= Red G= Green Open face⁴ RW= Red/white WR= White/red GW= Green/white WG= White/green	R1= Red, single face ³ R2= Red, double face ³ G1= Green, single face ³ G2= Green, double face ³

# of heads for mini system	Head style	Lamp type	Options
Blank= No head -1= 1 head -2= 2 heads	10= EF10 150= EF150	LA= 6V-4W, MR16 LED LB= 6V-5W, MR16 LED	Blank= No option -AD= Advanced Diagnostics (audible) ⁵ -ADNA= Advanced Diagnostics (non-audible) ⁵ -NEXRF= NEXUS [®] wireless ⁵ -D3= Time delay (15 minutes) -VR= Tamper-proof screws -VR1= Polycarbonate vandal resistant shield with tamper-proof screws

Example: DCLWX14R-VR

¹Only available on exit sign models
²Available with -AD, -ADNA or -NEXRF only
³Required when ordering tamper-proof screws or vandal-resistant shield
⁴Open face required with special wording legends
⁵Available only in SNX14, SBX14 & SXX14