

# City of Chicago Approved Chicago CCC-2LED Series Steel LED combination sign



Self-contained unit combines a steel exit sign with two adjustable LED heads.  
Optional 10W remote capacity.

### Construction

- Each unit comes with two adjustable 6V-5W LED heads
- Each unit provides 280 lumens
- Constructed of 20-gauge steel with an off-white finish and glass panels
- Optional 10W remote capacity available on the CCC-2LED-RC model
- Single or double face
- White LED light source

### Mounting

- Canopy supplied for top or end-mount
- Universal knockout pattern on back plate for wall mount

### Electronics

- 6V sealed lead-calcium, maintenance-free rechargeable battery
- 120-277 60HZ
- 120 minute run time in emergency mode

### Approvals

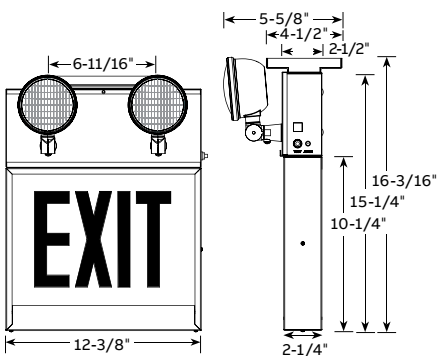
- UL listed for damp location 68°F to 122°F (20°C to 50°C)
- Meets UL 924, NFPA 101 Life safety code, NEC, OSHA, local and state codes
- City of Chicago Approved

### Warranty

- 3-year full warranty
- Detailed warranty terms located online at:  
[www.emergi-lite.com/usa/files/EL\\_Warranty.pdf](http://www.emergi-lite.com/usa/files/EL_Warranty.pdf)

### Dimensions

Dimensions are approximate and subject to change.



### Arrow (chevron) designation

Wording and chevrons not to scale. For illustration purposes only.



Arrow right & left represents each side of a double face panel

### Power consumption

Model	AC specs	DC specs
CCC-2LED	120VAC, 60HZ, 0.12A	12W
CCC-2LED	277VAC, 60HZ, 0.06A	13W
CCC-2LED-RC	120VAC, 60HZ, 0.12A	12W
CCC-2LED-RC	277VAC, 60HZ, 0.06A	13W

Lead-calcium      Minimum 120 minutes

### How to order

Series	Heads	Legend color	Legend style	Options
CCC	-2LED= 2 steel round LED	R= Red	#2A= Single face, STAIRS, no arrow #17A= Double face, STAIRS, no arrow #3= Single face, EXIT, no arrow #18= Double face, EXIT, no arrow #5A= Single face, STAIRS →, arrow right #6= Single face, EXIT →, arrow right #8A= Single face, ← STAIRS, arrow left #9= Single face, ← EXIT, arrow left #11A= Single face, STAIRS ↔, double arrow #23A= Double face, STAIRS ↔, double arrow #12= Single face, EXIT ↔, double arrow #24= Double face, EXIT ↔, double arrow #20A= Double face, STAIRS →, ← STAIRS, arrow right/left #21= Double face, EXIT →, ← EXIT, arrow right/left	Blank= No option RC= 6V-10W remote capacity <sup>1</sup>

Example: CCC-2LEDR#2A

<sup>1</sup>Compatible only with EF12D-LED remote