

Floor Proximity Installation Instructions

IMPORTANT SAFEGUARDS

When using electrical equipment, basic safety precautions should always be followed including the following:

1. **READ AND FOLLOW ALL SAFETY INSTRUCTIONS**
2. Do not use outdoors.
3. Do not let power cords touch hot surfaces.
4. Do not mount near gas or electric heaters.
5. Use caution when handling batteries. Avoid possible shorting.
6. Equipment should be mounted at heights where it will not be tampered with by unauthorized personnel.
7. The use of accessory equipment not recommended by the manufacturer may cause an unsafe condition.
8. Do not use this equipment for other than intended use.

SAVE THESE INSTRUCTIONS

INSTALLATION

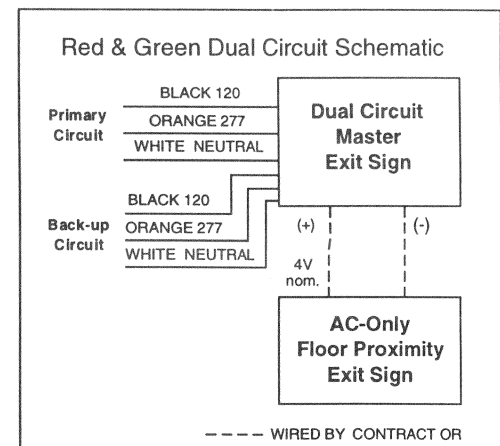
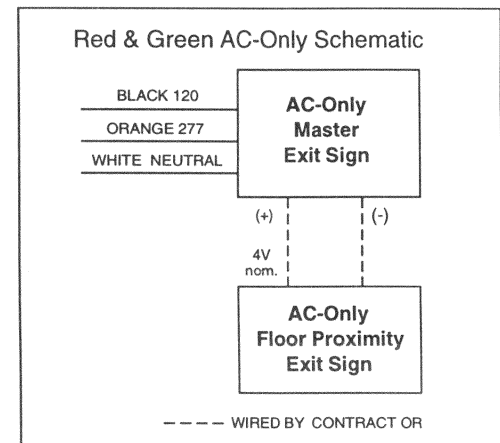
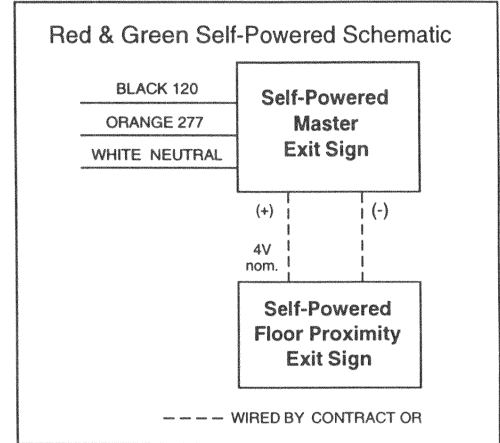
1. Turn Off AC power to Master Unit.
2. Mount back box for recessed floor proximity unit in wall. For mounting between wall studs, use four (4) screws through end holes. For surface mount, use two (2) holes provided in center of back box.
3. Connect leads, marked Floor Proximity Unit, from Master Unit to Floor Proximity Unit using contractor supplied wires and wirenuts, observing polarity.
NOTE: Cap all unused leads. See diagrams.
4. After connection, push connectors into electrical box. Attach stencil face onto back box using four (4) vandal resistant screws provided.
5. Energize Master Unit, both Master Unit and Floor Proximity Unit will illuminate.
NOTE: Dual Circuit, AC-Only, 120V or 277V systems, require the floor proximity sign to get its supply from the Master Unit.
6. **WARNING:** Floor Proximity signs consist of two models, one for use with AC-Only Master. The other for the Self-Powered Master.

IMPORTANT NOTICE

DO NOT attempt to connect floor proximity unit to a master unit from another manufacturer as sign could be damaged.

MAINTENANCE

None required. Unit should be tested monthly in accordance with the requirements of NFPA 101, Life Safety Code, or local codes.



ALL SERVICING SHOULD BE PERFORMED BY QUALIFIED SERVICE PERSONNEL