

EX3 Edge-Lit LED Exit Sign

AC - DC and Self-powered Models

IMPORTANT SAFEGUARDS

When using electrical equipment, basic safety precautions should always be followed including the following:

READ AND FOLLOW ALL SAFETY INSTRUCTIONS

1. Do not use outdoors.
2. Do not let power supply cords touch hot surfaces.
3. Do not mount near gas or electric heaters.
4. Use caution when handling batteries. Avoid possible shorting.
5. Equipment should be mounted in locations and at heights where it will not readily be subjected to tampering by unauthorized personnel.
6. The use of accessory equipment not recommended by the manufacturer may cause an unsafe condition.
7. Do not use this equipment for other than intended use.
8. All servicing should be performed by qualified service personnel.

SAVE THESE INSTRUCTIONS

Installation Instructions

1. Turn off AC power.
2. Route AC unswitched circuit of rated voltage into junction box and leave 6" of wire length.
3. Follow directions on the panel for chevron placement. (Note: for single sided units with clear background place chevron on back of the panel).
4. Unsnap cover (12) by using your fingers, lift the bottom of the cover and remove (if the cover is too difficult to open gently pry the cover using a flat head screw-driver at the point indicated in fig.1).

Wall Mount (See Figure 1)

- a. Extend the AC supply leads with the extension wires supplied (follow the electrical wiring in figure 4).
- b. Feed the supplied wires through the center hole of the spider plate then attach it to the junction box.
- c. Feed the supplied wires through the center hole of the canopy then attach it to the spider plate using the screws provided (6).
- d. Remove the knock out towards the inside with a screwdriver. Feed the supplied wires through the center hole and mount the housing to the canopy with the screws provided (4).

Ceiling or End mount (See Figure 2 & 3)

- a. For ceiling mount: remove plugs (see figure 2)
- a. For end-mount: remove the knock outs on the end cap towards the inside with a screwdriver (see figure 3).
- b. Fasten the canopy to the housing using screws(4) and lock nuts provided (9).

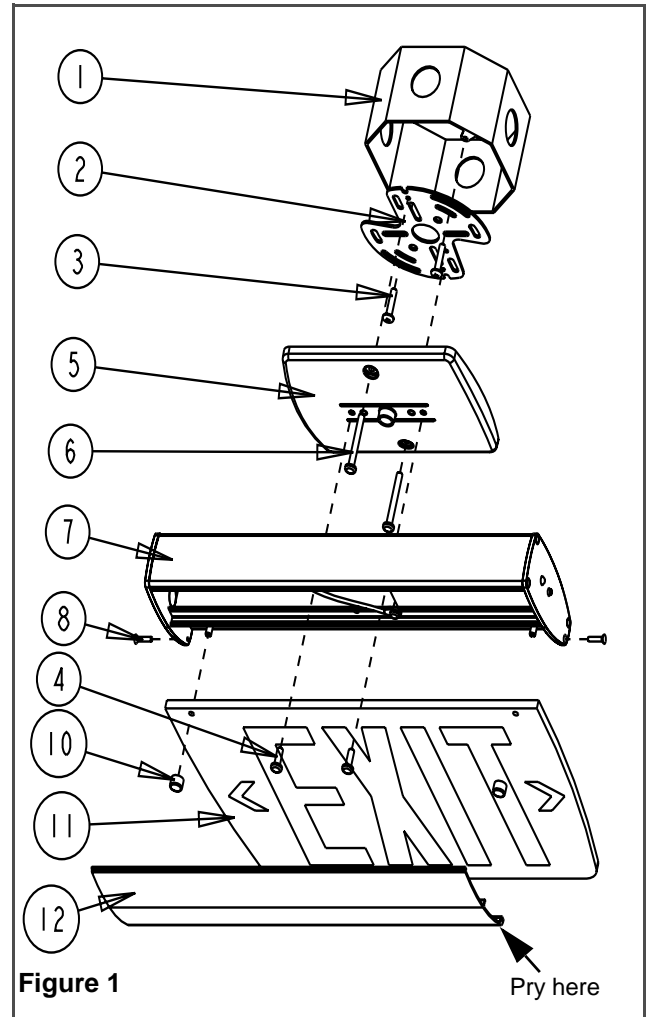


Figure 1

Part List	
1. Junction box (existing)	7. Housing
2. Spider Plate	8. End cap screws
3. Junction box screws (not supplied)	9. Lock Nuts
4. Canopy screws - long(2)	10. Panel holder plugs
5. Canopy	11. Panel
6. Canopy screws - short(2)	12. Cover

- c. Extend the AC supply leads with the extension wires supplied (follow the electrical wiring in Figure 4).
 - d. Route the supplied wires through the center hole of the spider plate.
 - e. Fasten the spider plate to the junction box using the junction box screws(3).
 - f. Feed wires into the unit through the center hole of canopy.
 - g. Fasten the canopy-housing assembly to the spider plate using the screws provided(6).
5. For remote power DC units, connect the red wire to the positive of the DC supply and the blue to the negative (6 to 24VDC).
 6. Make the proper connections, our system accepts an input voltage of 120 to 347 VAC (see figure. 4). Connect the purple and white leads to the building utility. Connect the green ground wire to the service ground or the ground connection in the junction box.
 7. **AC/DC or AC only models:** When AC is energized the LED strip will light.

For self-powered models only

- a. When ready to energize AC, plug in battery connector to circuit board. Connect battery and turn on AC power within 6 hours.
 - b. When AC is energized the LED strip will light and green pilot light will illuminate. Allow 24 hours charge before initial duration testing.
8. Replace cover by squeezing it a little bit and pushing down. Secure the cover with the appropriate screws(8).
 9. Reconnect the AC power.

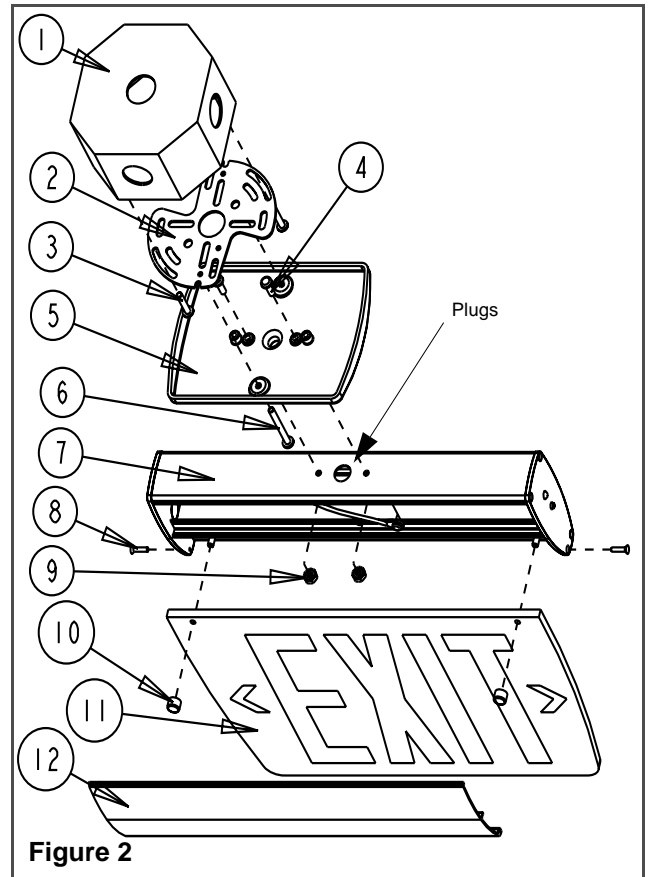


Figure 2

Testing (self-powered models only)

- Operate test switch: Press switch-“AC on” pilot light will turn off
- Release switch- “AC on” pilot will turn on
 - Legend remains lit during testing.

Maintenance

None required. Unit should be tested monthly in accordance with safety codes and local codes. If AC supply to the unit is to be disconnected for 2 months or more, the battery must be disconnected.

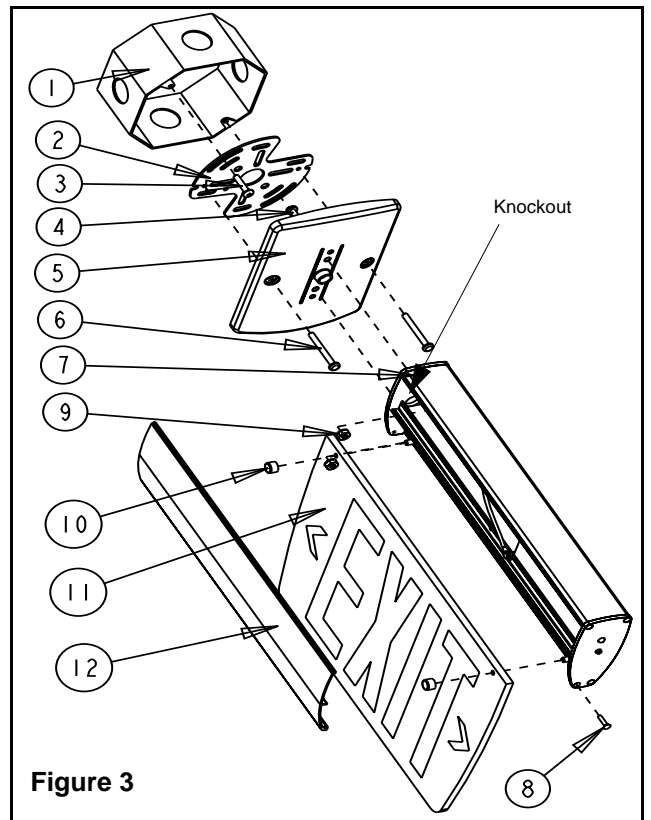


Figure 3

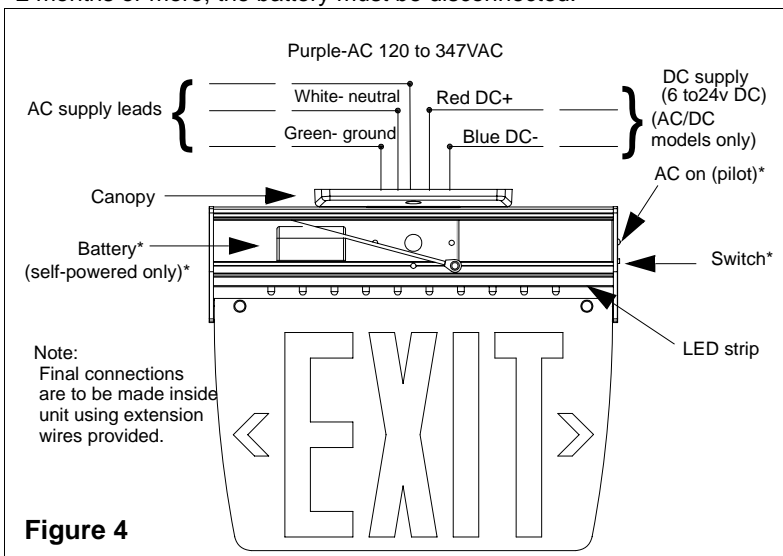


Figure 4