

EX35 LED Series - Edge-Lit LED Exit Sign

AC, AC/DC and Self-Powered models

IMPORTANT SAFEGUARDS

When using electrical equipment, basic safety precautions should always be followed including the following:

READ AND FOLLOW ALL SAFETY INSTRUCTIONS

1. Do not use outdoors.
2. Do not let power supply cords touch hot surfaces.
3. Do not mount near gas or electric heaters.
4. Equipment should be mounted in locations and at heights where it will not readily be subjected to tampering by unauthorized personnel.
5. The use of accessory equipment not recommended by the manufacturer may cause an unsafe condition.
6. Do not use this equipment for other than intended use.
7. All servicing should be performed by qualified service personnel.

SAVE THESE INSTRUCTIONS

Installation Instructions

Turn off AC power.

Recessed mount (New construction or rear access)

1. Remove the proper knockout in the back box for the entry of the AC wires.
2. Assemble the recessed mount brackets to the back box. Install the bar hangers in the adjustment brackets (see fig. 2). Mount the back box so that it is flush with the wall or ceiling surface.
3. Route AC unswitched circuit of rated voltage into the back box and leave 6" of wire length.
4. Attach incoming ground to the short ground wire provided in the back box.
5. Connect the long ground lead with eyelet from the back box and terminate on the post on the chassis assembly with hardware provided.
6. Make the proper connections. Our system can accept input voltages of 120 VAC to 347 VAC. Therefore, connect the purple (hot) and white (common) leads to the building utility (see fig. 9).
7. Install the chassis assembly into the back box by hinging the plate into the pivot holes and moving the plate to the closed position. Push the plunger into the hold down grommet (see fig. 2).

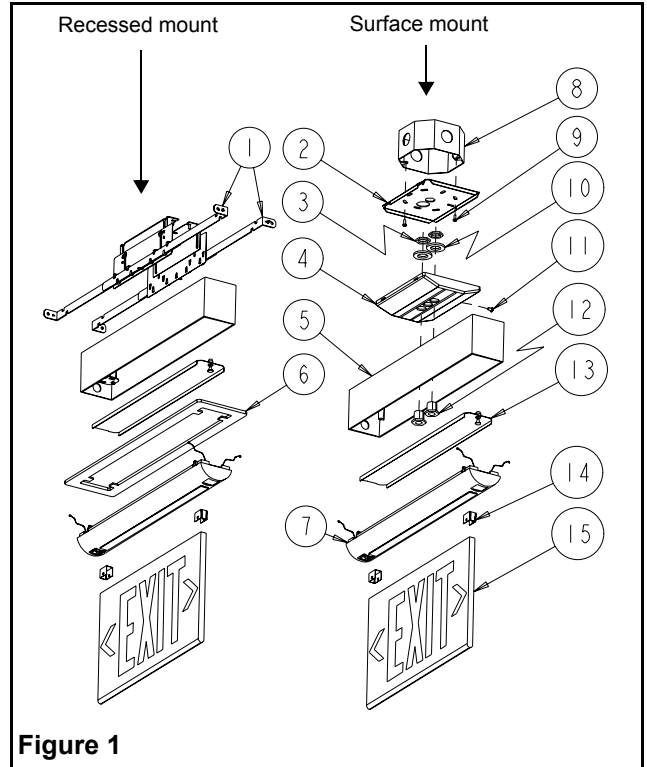


Figure 1

Part List

- | | |
|--|----------------------------|
| 1. Recessed mount brackets (recessed only) | 8. Junction box |
| 2. Canopy plate | 9. Junction box screws (2) |
| 3. Nut (2) | 10. Nylon washer (2) |
| 4. Canopy | 11. Securement screw |
| 5. Back box | 12. Nipples (2) |
| 6. Trim ring (recessed only) | 13. Chassis assembly |
| 7. Trim plate assembly | 14. Clips (2) |
| | 15. Exit panel |

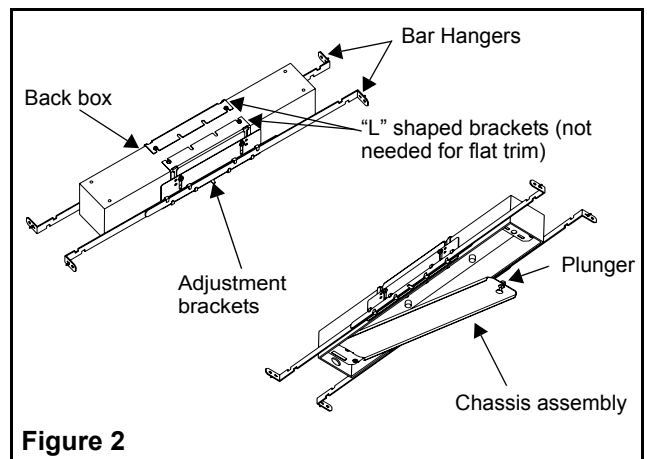


Figure 2

Surface mount

1. Route AC unswitched circuit of rated voltage into the junction box and leave 6" of wire length.
2. Remove the proper knockout in the canopy plate to mount to the junction box - check the orientation of the back box (see fig. 3).
3. Route the wires through one of the Ø5/8" knockout hole in the canopy plate and mount the plate to the electrical box using the junction box screws. Make sure that the canopy plate will mount so the securement screw is accessible.
4. Remove the proper knockouts in the back box for mounting to the canopy.
5. Mount the canopy to the back box using the hardware supplied. Insert the threaded nipples through the back box knockouts, canopy and nylon washer. Thread a nut on each nipple; the nuts should be in the canopy (see fig. 3).
6. Route AC wires from the chassis assembly through the required knockout hole in the back box and out into the canopy.
7. Attach incoming ground to the short ground wire provided in the back box.
8. Connect the long ground lead with the eyelet from the back box and terminate on the post on the chassis assembly with hardware provided.
9. Make the proper connections. Our system can accept input voltages of 120 VAC to 347 VAC. Therefore, connect the purple (hot) and white (neutral) leads to the building utility (see fig. 9).
10. Install the chassis assembly into the back box by hinging the plate into the pivot holes and move the plate to the closed position. Push the plunger into the hold down grommet (see fig. 4).
11. Mount the back box to the wall or ceiling by guiding the tabs on the canopy plate into the slots on the canopy. Hinge and secure with the securement screw.

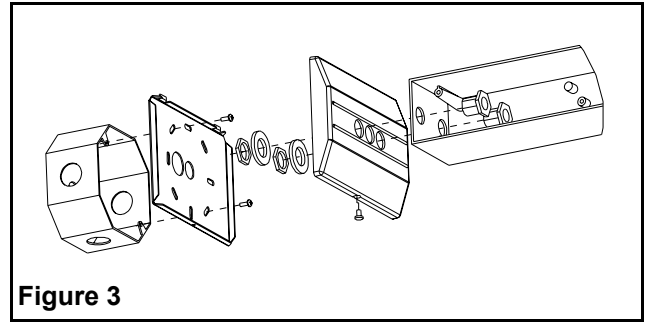


Figure 3

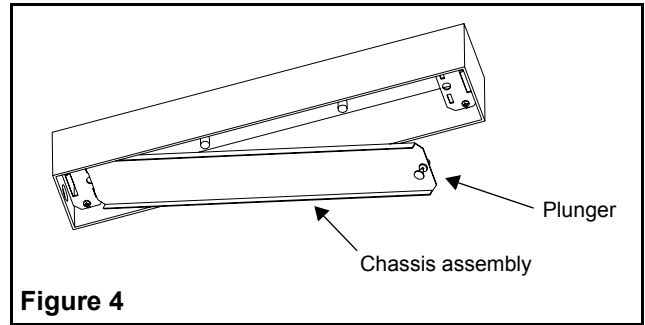


Figure 4

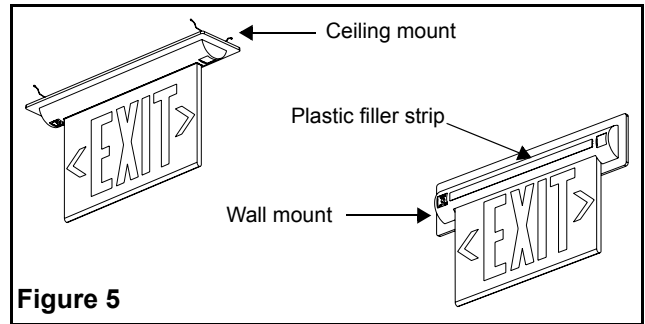


Figure 5

Trim plate installation

1. Remove the exit panel from its carton, do not remove the protective sleeve until the installation is complete.
2. Determine how the exit panel will be orientated to the trim plate (see fig. 5). For ceiling mount applications, continue to step 3.

Wall mount

- a. Remove the wall mount opening panel located on the edge of the trim plate by removing the two screws (see fig. 6).
 - b. Rotate the LED assembly toward the wire bundle until it clicks into place (see fig. 6 to locate the LED assembly).
 - c. Insert the plastic filler strip into the open slot in the trim plate (see fig. 5).
 - d. For wall mount installation, please see the addendum called: "Addendum - Edge-Lit Exit installation".
3. If the application is for a recessed mount, add the decorative trim ring to the trim plate assembly (see fig. 1).
 4. Connect the trim plate plug to the plug on the chassis assembly.
 5. Compress the retention springs and insert the trim plate assembly in the back box. Push the assembly in place (see fig. 7).
 6. For flat trim plate assembly. (see fig. 12)

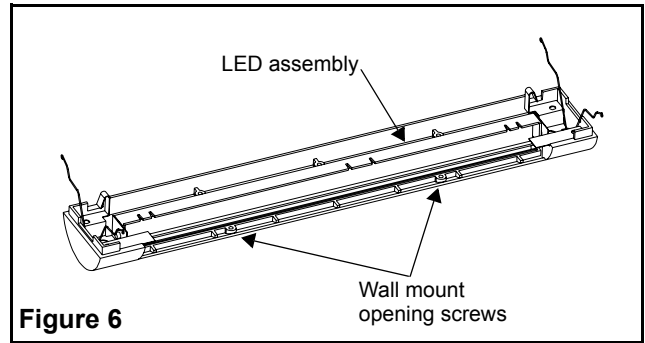


Figure 6

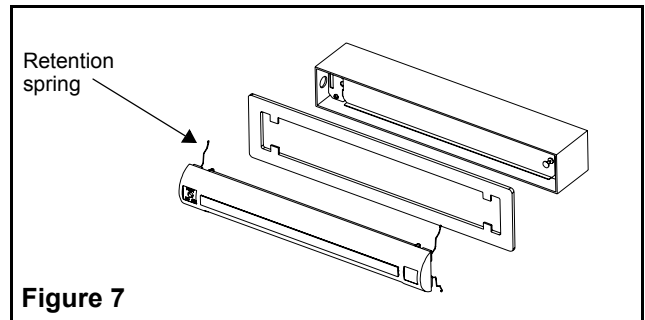


Figure 7

7. Partially remove the protective sleeve from the exit panel. Corner clips may require assembly on panel. Install the clips (see fig. 8).
8. Push the exit panel, with clips installed, into the slot in the trim plate assembly until it snaps (see fig. 8). Gently try to pull out the panel to ensure that it is engaged in the trim plate assembly. Remove the protective sleeve.
9. Energize AC circuit. Legend and red pilot indicator (self-powered models), will illuminate.

AC/DC Models

Refer to fig. 9 for AC & DC wiring.

For DC portion — Wire the Red lead (+) to the positive DC input voltage and the Blue Lead (-) to the negative DC input voltage. Note: DC input voltage range is 6 volts to 48 volts.

Self Powered models

Manual testing

Press illuminated test switch (see fig. 10). Legend will flicker, but remain lit, AC pilot lamp will extinguish. On release, pilot lamp will illuminate, and automatic charger will restore battery to full charge.

Automatic testing and diagnostics, (optional)

The models with automatic testing and diagnostics include a micro-controller which exercises, (self-tests), the unit on a monthly basis and identifies and notifies failures of the electrical components: battery, battery charger, lamps (LEDs).

Self-test

The self-test is performed every 30 days for 30 seconds, every 60 days for 30 minutes.

Diagnostic function

The diagnostic function uses three red LED indicators: one external (on the opposite end of the trimplate from the test switch) and two internal. The unit has to be opened to read the status of the internal indicators. External: Service required. Blinks if any alarm condition is detected (see fig. 10).

Internal: Battery Alarm, Charger Alarm. Steady ON if alarm condition exists (see fig. 11).

Normal operation (No fault) — Service required LED is OFF and one of the two internal LED blinks, showing that the micro controller is active.

Faulty operation — Service LED blinks.

Battery Alarm ON, Charger Alarm OFF: Check battery or replace battery.

Battery Alarm ON, Charger Alarm ON: Check LED strip.

Battery Alarm OFF, Charger Alarm ON: Check charger circuit.

Maintenance

None required. If AC supply to the unit is to be disconnected for 2 months or more, the battery must be disconnected (Self-Powered Models only).

Note — Nickel Cadmium battery units are shipped discharged and may require 10 minutes of connection to AC supply before start-up test procedure, and 24 hours to reach full charge.

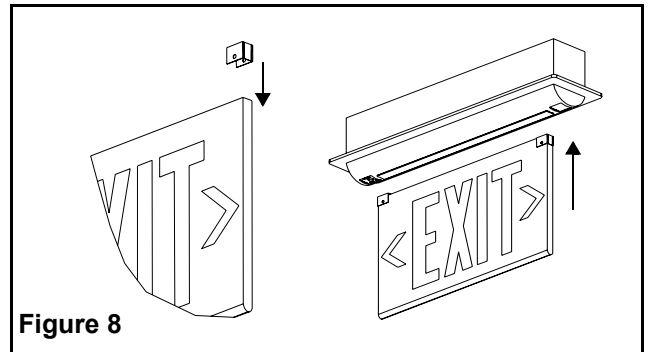


Figure 8

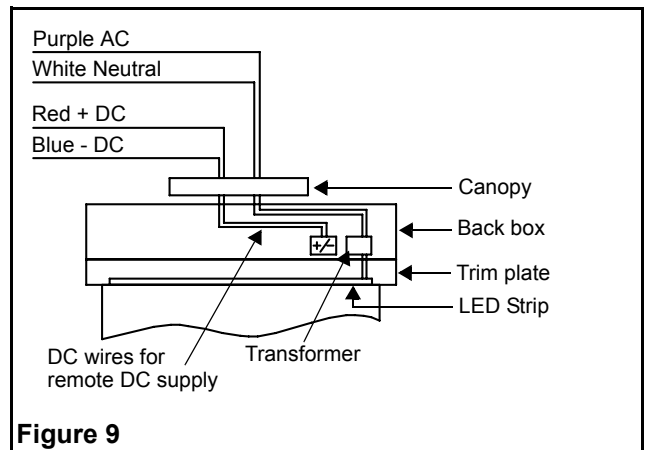


Figure 9

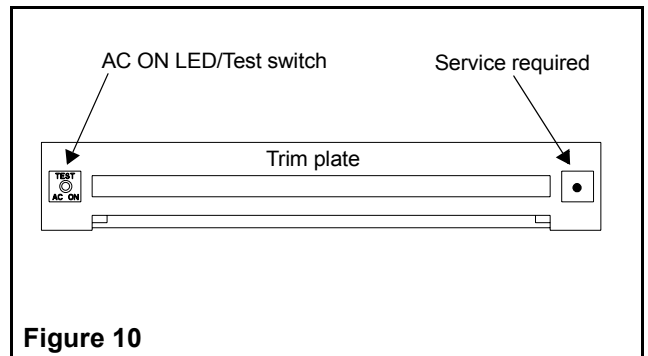


Figure 10

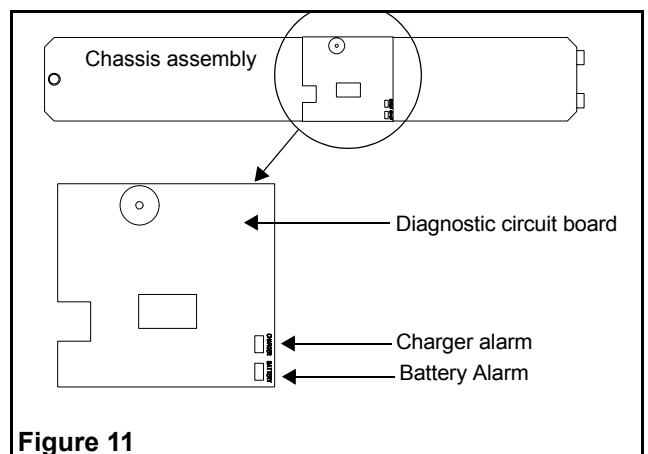


Figure 11

