



LPEX50-P Series

Extruded Aluminum Combination Unit – 6/12V

Project/Location: _____

Contractor: _____

Date: _____

Prepared by: _____

Features

Exit Sign

- Extruded aluminum faceplate with a maximum depth of 2-1/2"
- Universal, field-selectable chevrons (knockout)
- ALINGAP LED technology

Power Pack

- Completely self-contained unit with rechargeable sealed lead battery
- Lamp heads require no tools to adjust or aim



Typical Specification

Supply and install the Emergi-lite **LPEX50-P** LED exit sign and power pack series. The exit housing shall be constructed of rugged extruded aluminum. The faceplate shall be constructed of extruded aluminum. The exit sign shall have a maximum depth of 2-1/2". The faceplate(s) shall come standard with knockout chevrons.

The light source shall be light emitting diodes (LED) of **ALINGAP** technology. The LED lamps shall provide illumination in normal and emergency operation and shall be mounted inside the exit housing, not on the face. An LED-sensitive diffuser shall be mounted behind the legend to provide the 6" high by 3/4" stroke letters with even illumination.

The power pack shall be a completely self-contained emergency unit with its own charger and rechargeable battery. The housing shall be made of steel, painted factory white. The unit shall be designed to furnish exit illumination from the normal AC source. When a power failure occurs the mounted heads along with the exit sign are illuminated in emergency mode for a minimum of 30 minutes. The power pack is furnished with a test switch and high charge pilot light and is available as either 18, 36 or 72 watts.

The heads shall require no tools to adjust and aim. The heads will be constructed of a durable thermoplastic construction and use 6 volts, 9 watts lamps or as otherwise specified.

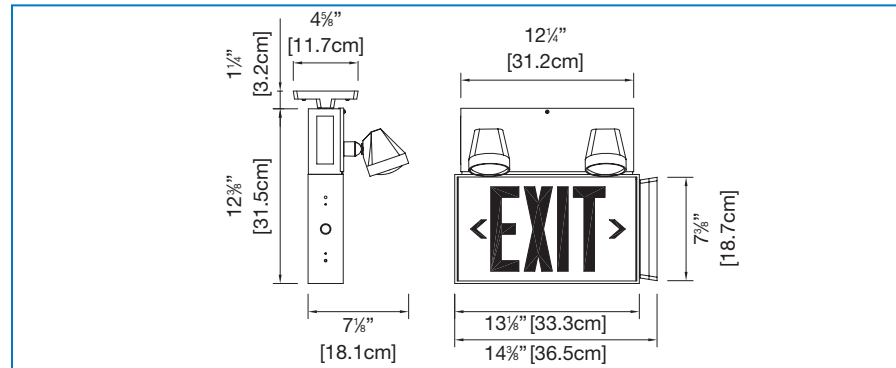
The exit sign shall be certified CSA-C860.

The equipment shall be Emergi-lite model: _____.

Wire Guards

460.0081-E	Wall Mount
460.0060-E	Ceiling Mount

Dimensions



Power Consumption and Unit Rating

Model	AC Specs	Wattage Capacity					
		30min	1h00	1h30	2h00	4h00	
EXIT Sign Module	120 / 347Vac	Less than 1.5W	-	-	-	-	-
LPX5-P1		0.15 / 0.05 Amp	18	10	7	6	3
LPX5-P3		0.15 / 0.05 Amp	36	21	15	12	6
LPX5-P3A		0.18 / 0.07 Amp	72	42	30	24	12
LPX5-P7		0.18 / 0.07 Amp	36	21	15	12	6
LPX5-P7A		0.15 / 0.05 Amp	72	42	30	24	12

Ordering Information

Series	Colour	Voltage	Powerpack	Options	Number of Heads	Head Style and Wattage	
LPEX52= single face LPEX53= double face	W= factory white B= black G= grey* BA= brushed aluminum	Blank= 120/347Vac -2= 277Vac	-P1= 6V-18W -P3= 6V-36W -P3A= 12V-36W -P7= 6V-72W -P7A= 12V-72W	Blank= no options D= time delay U= auto diagnostics X= remote test receiver* NEX= NEXUS® system interface** NEXRF= wireless NEXUS® system interface**	TXC= remote test transmitter* G= green letters TP= tamper proof screws 990.0119-E= tamper proof bit*	/0= no heads /1= one head /2= two heads	M= mini tungsten, 9W MQ= mini halogen, 8W MQ12= mini halogen, 12W MI= mini MR16, 6W (6V only) MJ= mini MR16, 10W (6V only) MK= mini MR16, 12W (12V only) MA= mini MR16, 20W (12V only) *Other styles available. Consult your sales representative.

EXAMPLE: LPEX52W-P3/2MQ12