

C8ESPK Series

Water, Dust & Oil Resistant Industrial Units

IMPORTANT SAFEGUARDS

When using electrical equipment, basic safety precautions should always be followed including the following:

READ AND FOLLOW ALL SAFETY INSTRUCTIONS

1. Do not let power supply cords touch hot surfaces.
2. Do not mount near gas or electric heaters.
3. Use caution when handling batteries. Avoid possible shorting.
4. Equipment should be mounted in locations and at heights where it will not readily be subjected to tampering by unauthorized personnel.
5. The use of accessory equipment not recommended by the manufacturer may cause an unsafe condition.
6. Caution: If optional Halogen cycle lamp(s), symbol (H—), are used in this equipment, to avoid shattering: do not operate lamp in excess of rated voltage, protect lamp against abrasion and scratches and against liquids when lamp is operating, dispose of lamp with care.
7. Halogen cycle lamps operate at high temperatures. Do not store or place flammable materials near lamp.
8. Do not use this equipment for other than intended use.
9. All servicing should be performed by qualified service personnel.

SAVE THESE INSTRUCTIONS

Installation Instructions

1. Turn off AC power.
2. Route AC circuit wires to electrical box and leave 12" of wire length.
3. Remove the four screws holding the cover on the housing. Open the cover and remove the stencil.
4. Depending on how the unit is to be mounted, follow either the canopy mounting or the wall mounting procedures:

Canopy Mount (ceiling)

1. The unit can only be installed with the canopy on the top of the unit.
2. If the unit is to be ceiling mounted, then drill two 7/16" dia. hole on the two ends of the top of the housing. *You might wish to reinstall the cover lens temporarily to make sure that there will not be any interference between the nipple and lens cover once attached.*
3. Install the canopy on the nipple by inserting the nipple through the center hole of the canopy (see Fig.2). Install two nuts on the upper end of the nipple, inside the canopy, and lock them together. Thread another nut from the other side in order to hold the nipple to the canopy. Install the fourth nut onto the nipple. Install the foam gasket and the last two nuts and tighten the whole assembly.

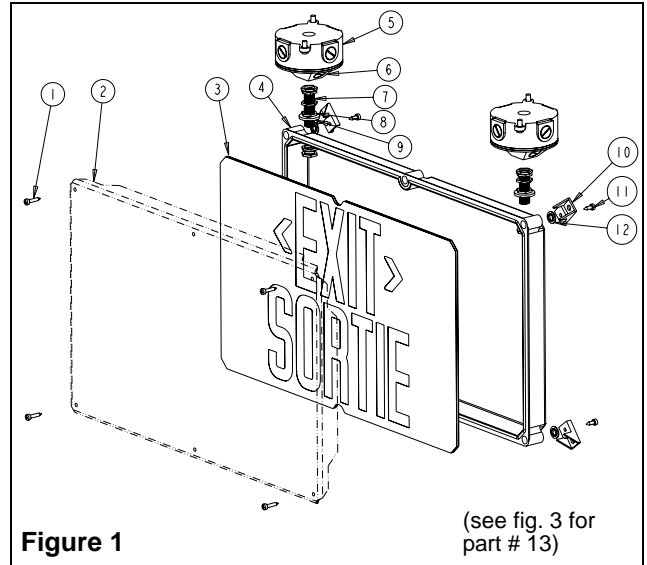


Figure 1

(see fig. 3 for part # 13)

Parts List

- | | |
|--------------------------------|------------------------------------|
| 1. Cover screws #10 (4) | 8. Nut 1/8IPS (12) |
| 2. Cover Lens | 9. Foam gasket |
| 3. Stencil | 10. Mounting bracket (4) |
| 4. Housing | 11. Screw 10-32 x 3/8" (4) |
| 5. Junction Box (not supplied) | 12. Plastic spacer (4) |
| 6. Canopy | 13. Watertight fitting (see fig.3) |
| 7. Nipple 1/8IPS x 2"(2) | |

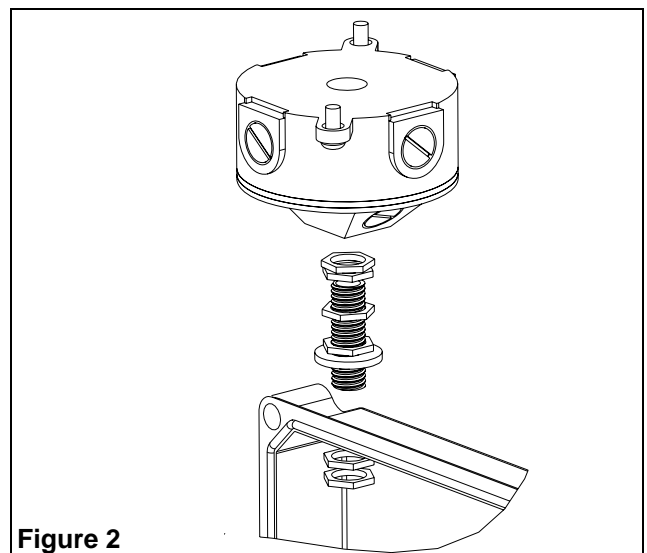


Figure 2

4. If the unit is a double face remove both covers. One canopy will be installed on each unit in opposit corners.The AC power can be supplied to each unit through the canopies or by having the AC pass through one canopy and then supply the other unit by drilling a 3/4" dia. hole for the watertight fitting on one of the sides of each unit. Make sure that the watertight fitting does not interfere with the cover lens. Use the cable provided to connect the AC power to the second unit.
5. Install the canopy backplate to the junction box using the junction box screws (not supplied) and pull the AC wires through the center opening.
6. Mount the housing and canopy assembly onto the canopy backplate after having pulled the AC wires, through the nipple, inside the housing. Secure using the canopy screw.

Wall Mount

1. Choose the area where the electrical wires are to enter the unit. Drill a 3/4" dia. hole for the watertight fitting on the center part of one of the sides of the housing. Make sure that the watertight fitting does not interfere with the cover lens.
2. Install the four plastic mounting brackets (see Fig.3). Use the plastic spacers between the housing and the bracket and tighten using the provided 10-32 x 3/8" screws.
3. Install the unit using appropriate screws for the type of wall it is to be installed on.
4. Install the watertight fitting and run the AC wires into the cabinet.

Electrical Connections

Important: All electrical connections are to be made inside the housing and not inside the junction box or canopy.

Self-Powered & AC/DC models — Make the connections according to fig. 4. The unit accepts AC voltages of 120 to 347V and DC voltages of 6 to 24V.

Testing (self-powered)

Bring the provided magnetic tester close to the bottom right side of the housing, where indicated with a label, to activate the magnetic switch; emergency lamps will illuminate. Release switch and emergency lamps will extinguish.

Maintenance

None required. Unit should be tested in accordance with CEC or local codes. This equipment is furnished with a low battery disconnect circuit in the emergency mode. However, if the AC supply to the unit is to be disconnected for 2 months or more, the battery must be disconnected. Do not allow battery wires to short circuit.

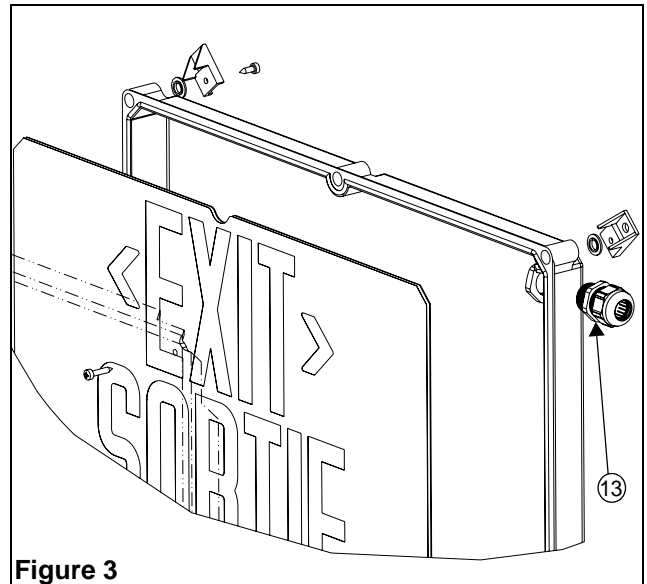


Figure 3

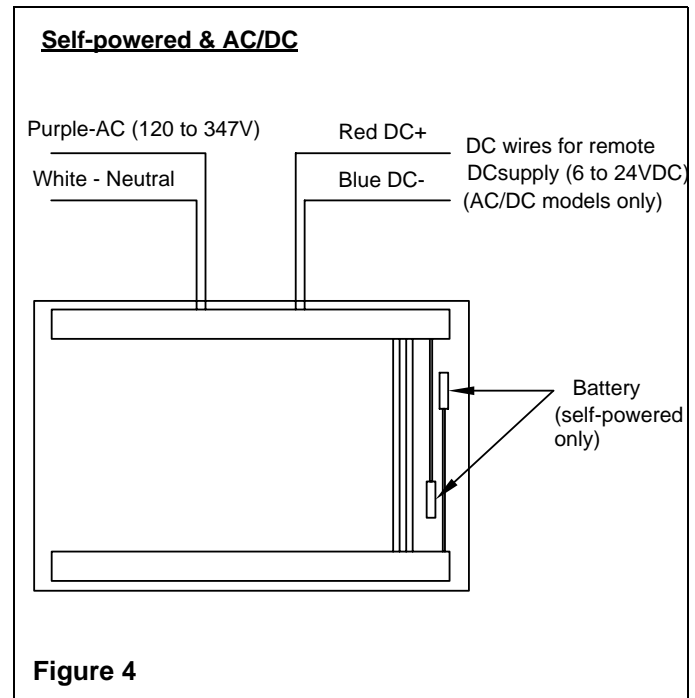


Figure 4