

Project/Location: \_\_\_\_\_

Contractor: \_\_\_\_\_

Date: \_\_\_\_\_

Prepared by: \_\_\_\_\_

# Survive-All LPEX600-N Series

## NEMA-4X Certified Combination Units



### Typical Specification

Supply and install Emergi-lite **Survive-All LPEX600-N** LED exit sign and power pack series. The equipment shall operate under two input voltages: 120Vac or 347Vac. The equipment frame shall be of industrial grade polyvinyl chloride with a gasket around lenses and canopy designed specifically for hostile environments. The unit shall be certified for NEMA-4X and designed specially for high abuse areas, wet location, and cold weather (CW option). The faceplate(s) shall be constructed of heavy-duty vandal-resistant polycarbonate and features an even illuminated legend. The legend light source shall be light emitting diodes (LED). Red LED technology shall be **ALINGAP**. Emergency lights shall be fully adjustable and high efficiency MR16 lamps.

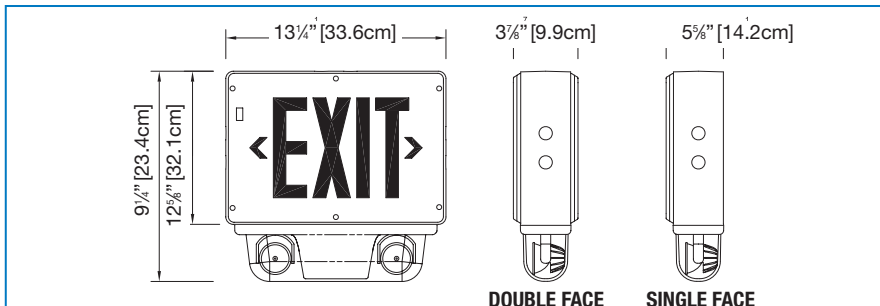
The Emergi-lite Advanced Diagnostic Micro-controller board shall supply the rated load for a minimum of a 1/2 hour to 87,5% of the rated battery voltage. The unit shall be rated 120/347V, 60Hz and be CSA listed. The unit shall have an output of \_\_\_\_ volts.

The charger shall at first bulk recharge the battery, then when the battery is at full capacity, the charger will shut-off and thereafter periodically pulse charge to top off the battery. This pulse-type charger promotes long battery life and reduces the potential for grid corrosion. Its charge voltage is factory set to ± 1% tolerance and temperature compensated. The charger has the functions of Lockout and Brownout Circuits, and Low Voltage Disconnection. It protects the unit from over-current, short-circuit, and reverse polarity.

The unit shall self-test for 1 minute every 30 days, 10 minutes on the 6th month and 30 minutes every 12 months. The unit shall be capable of full recharge in compliance with CSA specifications. The unit shall be furnished with a magnetic test switch. A "Service Required" lamp shall be located near the test switch and flash when a fault is detected. A four-LED diagnostic display shall be located inside the equipment and shall identify the source of failure (battery, charger circuitry, or lamps).

The exit sign shall be certified CSA-C860. The unit shall be Emergi-lite model: \_\_\_\_\_.

### Dimensions



### Power Consumption and Unit Rating

Model	AC Specs	Wattage Capacity					
		30min	1h00	1h30	2h00	4h00	
Exit Sign Module	120 / 347Vac	Less than 2W	-	-	-	-	-
LPEX60-N3		0.15 / 0.05 Amp	36	30	20	15	8
LPEX60-N3CW		0.25 / 0.08 Amp	36	30	20	15	8
LPEX60-N6A		0.27 / 0.09 Amp	60	40	40	24	12

### Ordering Information

Series	Faces	Housing and Face Colour	Voltage	Powerpack	Options	Number of Heads	Lamp and Wattage
<b>LPEX60=</b> NEMA 4X	<b>2=</b> single face <b>3=</b> double face	<b>WW=</b> factory white/white <b>WB=</b> factory white/black <b>WA=</b> factory white/aluminum <b>BB=</b> black/black <b>BW=</b> black/white <b>BA=</b> black/aluminum <b>GA=</b> grey/aluminum <b>GW=</b> grey/white <b>GB=</b> grey/black	<b>Blank=</b> 120/347Vac <b>-2=</b> 120/277Vac	<b>-N3=</b> 6V - 36W <b>-N6A=</b> 12V - 60W	<b>Blank=</b> advanced diagnostics non - audible (standard) <b>U=</b> advanced diagnostics <b>CW=</b> cold weather (-40°C)** <b>FA=</b> flasher (fire alarm activated) <b>F/B=</b> flasher/buzzer (a.c. power failure) <b>FL=</b> flasher (ac power failure) <b>G=</b> green letters <b>NEX=</b> NEXUS® system interface* <b>NEXRF=</b> wireless NEXUS® system interface*  *Consult your sales representative for options available with the NEXUS® system. **Available in LPEX602 only.	<b>Blank=</b> no options <b>/2=</b> two heads	<b>MI=</b> MR16, 6V - 6W <b>MJ=</b> MR16, 6V - 10W <b>MK=</b> MR16, 12V - 12W <b>L=</b> LED, 12V - 5W

### Features

- NEMA-4X certified for wall or ceiling mount
- NSF certified for food processing
- High efficiency MR16 lamps up to 12V, 12W or white LED emergency lights
- Continuous self-diagnostic monitoring and monthly self-testing
- Fully automatic charger is solid state
- Non-intrusive magnetic test switch
- Cold weather (-40°C) option
- Comes standard with tamper proof screw
- NEXUS® compatible



### Wire Guards with heads

460.0078-E	Wall Mount
460.0060-E	End or Ceiling Mount

### Wire Guards without heads

460.0079-E	Wall Mount
460.0027-E	End Mount
460.0028-E	Ceiling Mount