



# Lux-Ray Series

Project/Location: \_\_\_\_\_

Contractor: \_\_\_\_\_

Date: \_\_\_\_\_

Prepared by: \_\_\_\_\_

## Features

- Low profile, slim lines – measures only 6.6" x 9.5"
- Fully gasketed housing, rugged die-cast body and UV-resistant lens
- Fast and easy installation
- Also available as a battery unit; see Battery Units section of this catalogue



## Typical Specification

Supply and install the Emergi-Lite **Lux-Ray** Series remote unit. The remote unit shall come complete with two lamps.

The wall mount unit shall be made of a gasketed die-cast aluminium housing, UV and impact resistant polycarbonate lens which house a resilient vacuum-plated die-cast reflector and two high-output Xenon lamps.

Fixture shall be suitable for universal mounting on various Junction-boxes or surface mount, using rigid conduit entry on the top of the unit.

The remote unit shall be CSA Certified to C22.2 No.250

The unit shall be Emergi-Lite model: \_\_\_\_\_.

## Wire Guards

460.0082-E	Wall Mount
------------	------------

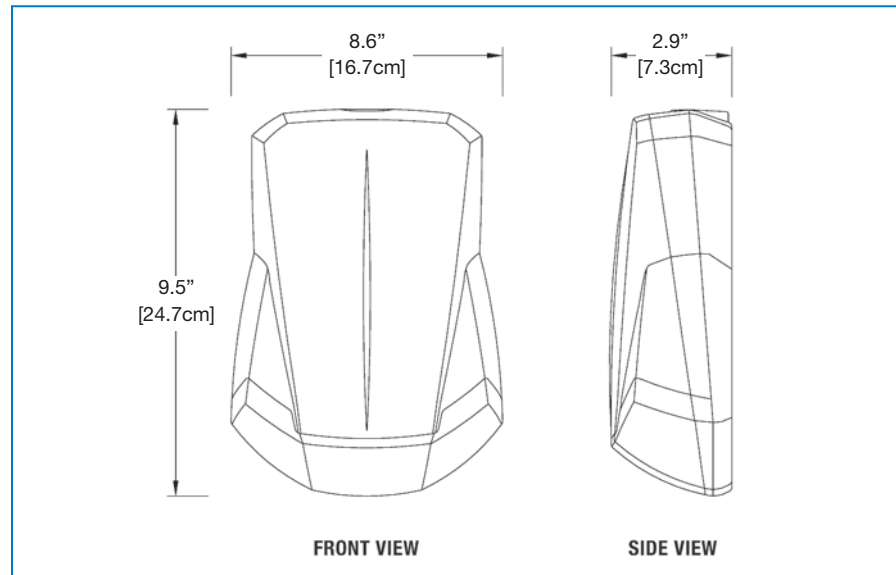
## Photometric Performance

Lamp Wattage	Mounting height	Center-to-Center	
		A=3'	A=6'
2 X 6W	7.5'	B=28'	B=19'
	8.5'	B=25'	B=18'
2 X 10W	7.5'	B=30'	B=28'
	8.5'	B=34'	B=30'

## Replacement Lamps

Model	Specifications
570.0213-E	X6W, 6V - 6W
570.0214-E	X10W, 6V - 10W

## Dimensions



## Ordering Information

Series	Colour*	Voltage/Lamp Wattage
EF42= Remote fixture (-40°C to +60°C)	<b>OW</b> = off white <b>BK</b> = black <b>BZ</b> = dark bronze <b>PG</b> = platinum grey	<b>6V6W</b> = 6Volts - 6Watts <b>6V10W</b> = 6Volts - 10Watts <b>12V6W</b> = 12Volts - 6Watts <b>12V10W</b> = 12Volts - 10Watts
Indoor/outdoor Remote fixture.	* Other colours available on demand. Consult your sales representative.	Xenon wedge base T3-1/4.

EXAMPLE: EF420W6V6W