

Project/Location: _____

Contractor: _____

Date: _____

Prepared by: _____

Distinction Series

Surface Designer Series



Typical Specification

The contractor will supply and install Emergi-Lite **Distinction Series** remote heads. These remote heads will consist of either single, double or triple head configurations according to the design. Remote heads will be constructed of a durable powder coated, die cast aluminum construction and use MR16 halogen light sources.

The remote fixtures shall be certified to CSA C22.2 No.250.

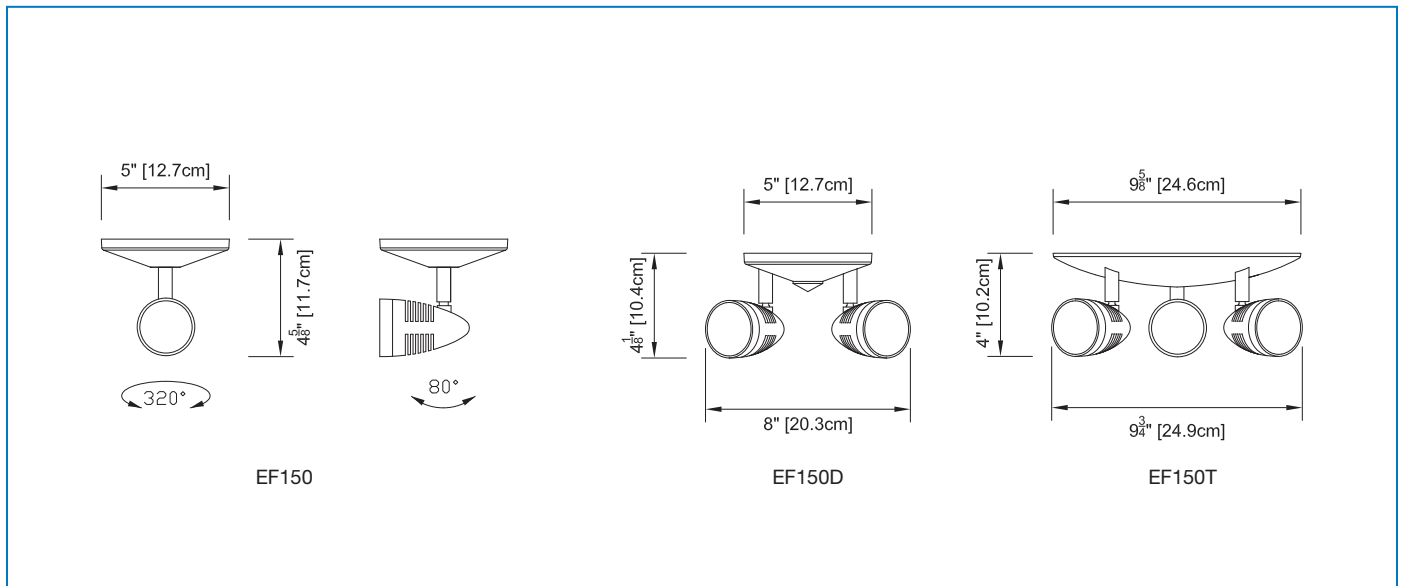
The unit shall be Emergi-Lite model: _____.

Features

- Contemporary, enduring designs
- Remote head: 1, 2 or 3 head configurations
- Highly-resistant powder-coated, die cast aluminum construction
- 6W, 10W, 12W, 20W, 35W, and 50W availability
- Narrow beam MR16 light source



Dimensions



Wire Guards

460.0029-E	Wall Mount (EF150)
460.0032-E	Wall Mount (EF150D)
460.0078-E	Wall Mount (EF150T)

Replacement Lamps

Model	Lamp Type	Voltage-Wattage
570.0074-E	MR16-Flood	6V - 6W
580.0080-E		12V - 12W
580.0077-E		24V - 20W

See the complete list page 91

Ordering Information

Series	# of Heads	Colour	Voltage and Wattage
EF150= closed	Blank= single head D= double head T= triple head	Blank= white B= black	-6V6W= 6V - 6 watts, MR16 -6V10W= 6V - 10 watts, MR16 -12V12W= 12V - 12 watts, MR16 -12V20W= 12V - 20 watts, MR16 -12V35W= 12V - 35 watts, MR16 -12V50W= 12V - 50 watts, MR16 -24V12W= 24V - 12 watts, MR16 -24V20W= 24V - 20 watts, MR16 -24V35W= 24V - 35 watts, MR16 -24V50W= 24V - 50 watts, MR16

EXAMPLE: EF150MD