



EFR Distinction Remote Collection

Recessed Designer Series

Project/Location:
Contractor:
Date:
Prepared by:

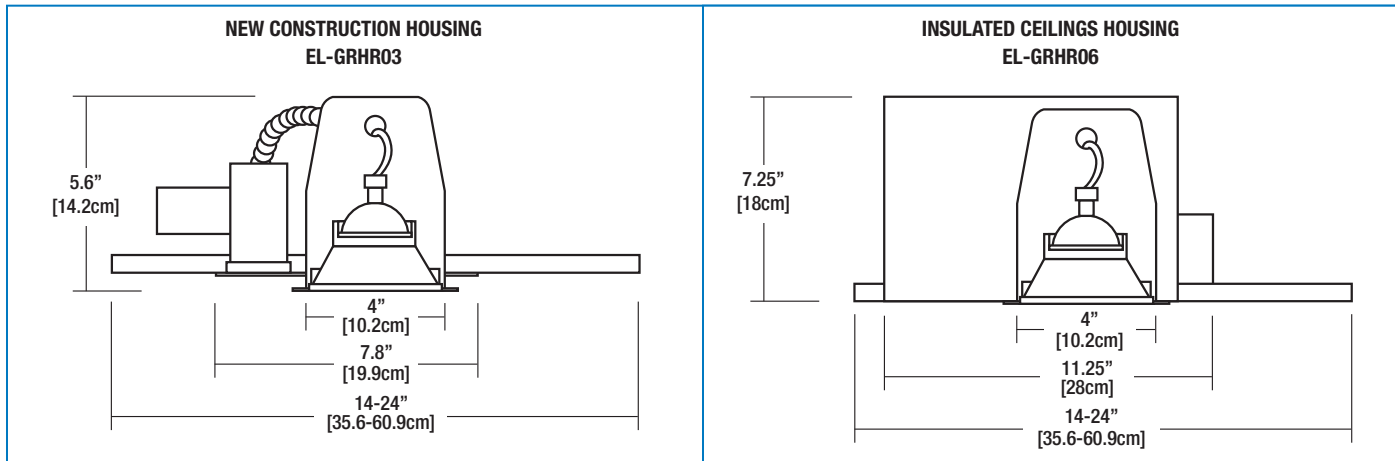
Features

- Contemporary, enduring designs
- 6W, 10W, 12W, 20W, 35W, and 50W availability
- Wide beam MR16 light source
- Will blend in with regular decorative recessed fixtures
- Choice of housing for new construction or insulated ceiling
- EFR8NB and EFR8R are made of powder coated or electro-plated steel
- EFR9 and EFR2 are made of die-cast

Housing for recessed remote

Model #	Description
EL-GRH03= non insulated ceilings	New construction (pre drywall)
EL-GRH04= non insulated ceilings	New construction (post drywall)
EL-GRH06= insulated ceilings	New construction (pre drywall)

Dimensions



Replacement Lamps

Model	Lamp Type	Voltage-Wattage
580.0079-E	MR16-Flood	6V - 10W
580.0080-E		12V - 12W
580.0077-E		24V - 20W

See the complete list page 91

Ordering Information

Series	Head Style	Colour	Voltage and Wattage
EFR = decorative recessed remote	8NB = flat 8R = concave 9 = concave 2 = pop-out	WH = white BK = black (8R, 9 & 2 series only) BN = brushed nickel (8R, 8NB & 2 series only) CH = chrome (2 series only) PB = polished brass (2 series only)	-6V6W = 6V - 6 watts, MR16 -6V10W = 6V - 10 watts, MR16 -12V12W = 12V - 12 watts, MR16 -12V20W = 12V - 20 watts, MR16 -12V35W = 12V - 35 watts, MR16 -12V50W = 12V - 50 watts, MR16 -24V12W = 24V - 12 watts, MR16 -24V20W = 24V - 20 watts, MR16 -24V35W = 24V - 35 watts, MR16 -24V50W = 24V - 50 watts, MR16 -120V20W = 120V-20watts, GU10* -120V35W = 120V-35watts, GU10* -120V50W = 120V-50watts, GU10*

*Available in "8R & 9"series only

EXAMPLE: EFR8NBBNMA