

Project/Location: _____

Contractor: _____

Date: _____

Prepared by: _____

Survive-All EF39 Series

NEMA-4X Certified Remote Fixture



Typical Specification

Supply and install Emergi-Lite **EF39 Series** remote emergency lighting fixtures. These remote fixtures will consist of either single or double lamp configurations according to the design. These fixtures shall be fully gasketed with a die cast aluminum back plate and a clear heavy-duty UV resistant polycarbonate light cover. Units shall be NEMA-4X and NSF certified and specifically designed for high abuse areas, wet and cold weather locations. The standard unit will come with stainless steel tamper-proof screws and bit.

The remote fixture shall be certified to CSA C22.2 No. 250 and NSF Certified for use in food processing plants.

The head(s) shall be fully adjustable without tools and should be equipped with high efficiency MR16 halogen lamp(s).

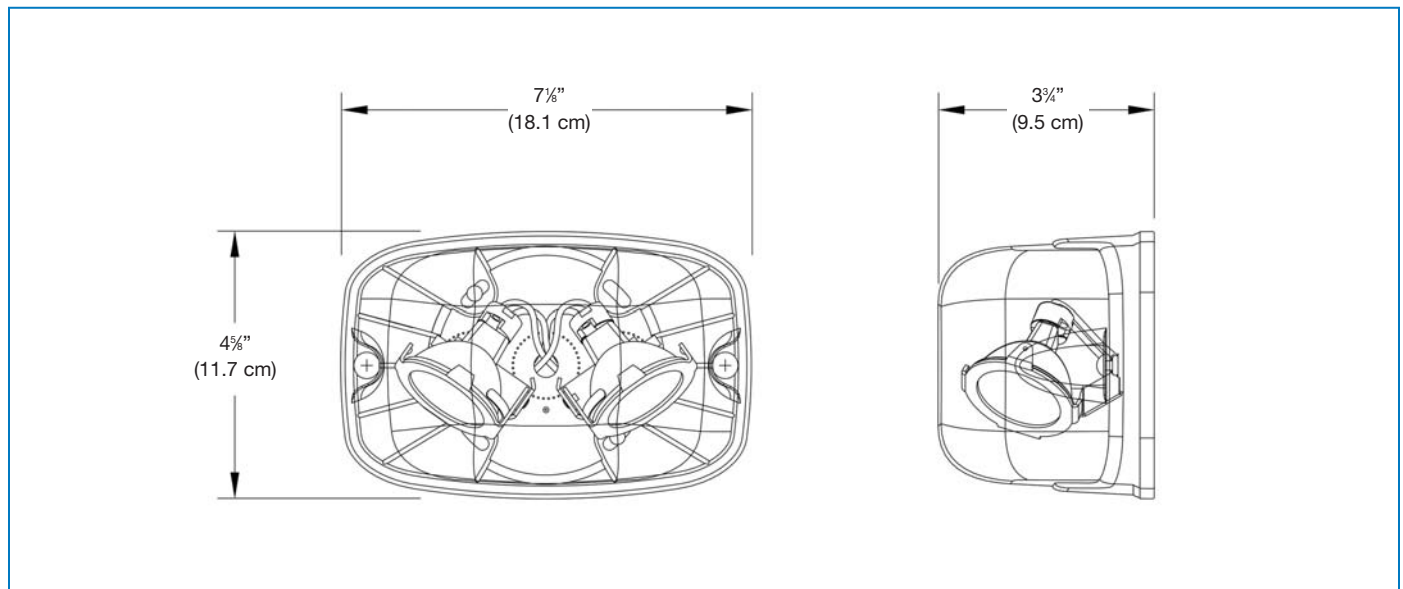
The unit shall be Emergi-Lite model: _____.

Features

- Fully gasketed cast aluminum back plate with clear polycarbonate cover – NEMA-4X Certified
- UV and impact resistant cover
- Choice of single or double lamp models
- Available in 6, 12 and 24 volts models with various wattages
- Easy installation on four-inch octagonal box
- Comes standard with tamper-proof screws and bit
- NSF Certified for food processing plants



Dimensions



Replacement Lamps

Model	Lamp Type	Voltage-Wattage
580.0079-E	MR16-Flood	6V - 10W
580.0080-E		12V - 12W
580.0077-E		24V - 12W

See the complete list page 91

Ordering Information

Series	Number of lamps	Lamp Type	Colour	Voltage and Wattage
EF39= NEMA 4X NSF	Blank = one lamp D = two lamps	M = MR16	Blank = factory white B = black G = grey	-6V6W = 6V-6 watts, MR16 -6V10W = 6V-10 watts, MR16 -12V12W = 12V-12 watts, MR16 -12V20W = 12V-20 watts, MR16-IR -24V12W = 24V-12 watts, MR16 -24V20W = 24V-20 watts, MR16 -LG = 12V-4 watts, LED

EXAMPLE: EF39M-6V6W