

Project/Location:
Contractor:
Date:
Prepared by:

C8SR3 Series

Aluminum Slim Edge-lit Sign



Typical Specification

Supply and install the Emergi-Lite **C8SR3 Series** LED slim-profile edge-lit exit signs. The unit shall operate with universal two-wire AC input voltage from 120V to 347Vac at less than 2 watts and universal two-wire DC input voltage from 6V to 24Vdc at less than 1.5 watts for single and double face signs. The housing shall be fabricated of extruded aluminum with a textured finish and _____ color. The canopy shall be fabricated of cast aluminum and allow for ceiling, wall, or end mount installation. The light source shall consist of 14 (fourteen) long life LEDs installed on a luminous PCB strip. The red LED technology shall be **AllnGaP**. The acrylic panel shall have a curved contour. The legend shall incorporate 6" high capital letters with a 3/4" stroke, red on a clear background, unless otherwise specified. The unit shall be equipped with stick-on translucent directional chevrons, to be installed in the field as required by the Code. The exit sign in a self-powered configuration shall be equipped with sealed Nickel-Cadmium batteries. Upon AC failure, the self-powered exit sign shall provide a minimum of 90 minutes of emergency illumination.

The exit sign shall be CSA-C860-07 certified.

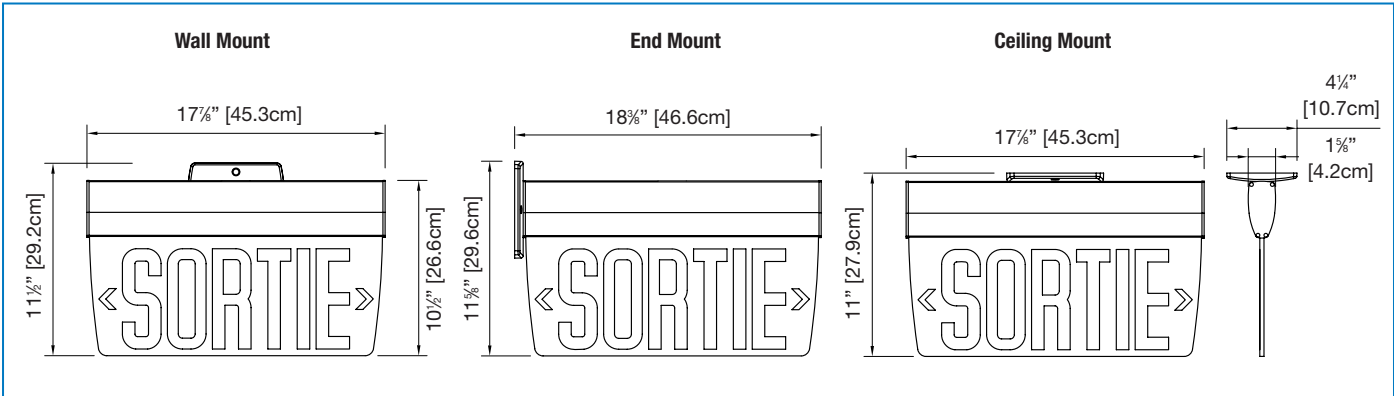
The equipment shall be Emergi-Lite model: _____.

Features

- Extruded aluminum housing
- Slim-profile cast aluminum canopy
- Universal mounting: wall, ceiling or end mount
- Click-to-open housing door allows easy access to the panel and electrical wiring
- Acrylic panel with curved contour
- Stick on directional chevrons, easy to add on
- Simple, two-wire universal input (120V to 347Vac 60Hz, 6V to 24Vdc) prevents installation errors
- Long life, maintenance-free, AllnGaP LED light source
- Energy efficient
- Self-powered models provide 90 minutes of emergency illumination
- CSA certified, meets or exceeds C860-07 requirements



Dimensions



Power Consumption

Model	AC Specs		DC Specs	
AC/DC	120 to 347Vac	Less than 2W	6 to 24Vdc	Less than 1.5W
Self-powered red		Less than 3W	Ni-Cd battery	Min. 90 minutes

Ordering Information

Series	Housing Colour	Voltage	Faceplate colour
C8SR38 = single face C8SR39 = double face	TA = textured aluminum OW = off white	-AC = AC only -U = universal (AC/DC) -UI = self-powered/90 Min	-RC = red/clear* -RW = red/white -RM = red/mirror *Single face only.

EXAMPLE: C8SR38TA-AC-RC