



C8SR35 Series

Edge-Lit Exit Sign

Project/Location: _____

Contractor: _____

Date: _____

Prepared by: _____

Features

- Universal back box designed for surface or semi-recessed mounting on ceilings or walls
- Modular retainer clips allow "snap-in" installation of face panel after installation of back box
- Extruded acrylic panels with precision-etched lettering legend
- LED strip design allows proper rotation for either ceiling or wall mounting
- Long life, energy efficient AllnGaP LED light source reduces maintenance and energy costs
- Energy efficient: consumes less than 5 watts in AC or DC mode



Typical Specification

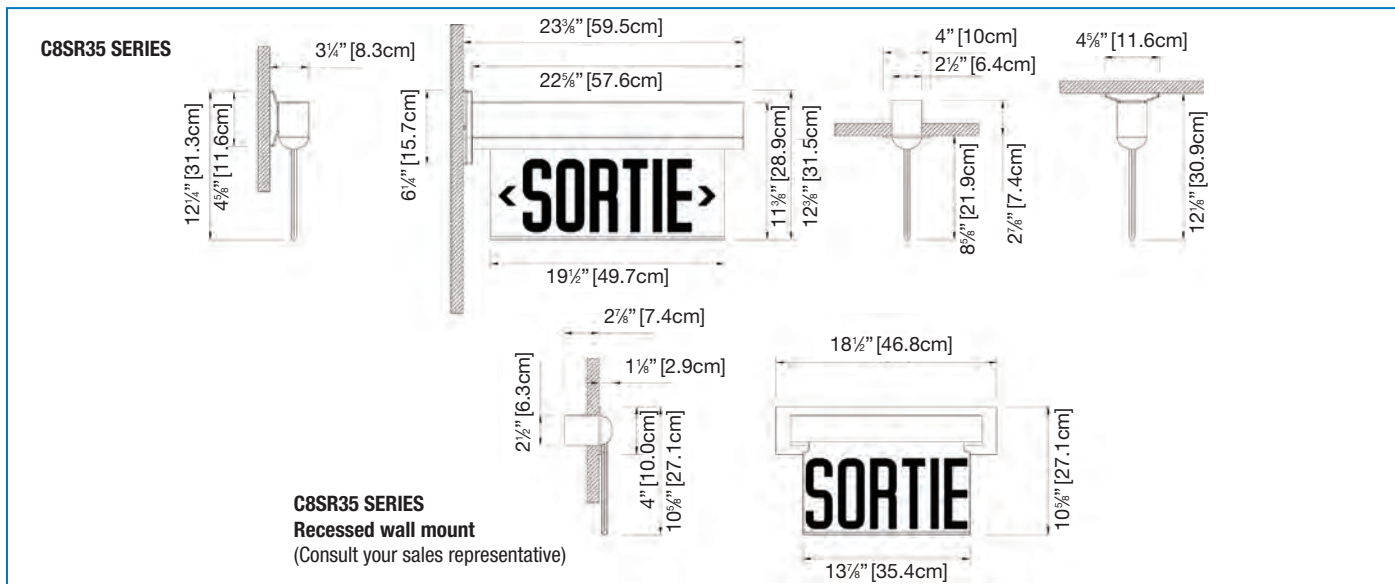
Supply and install the Emergi-Lite **C8SR35 Series** LED Edge-Lit exit sign. The equipment shall operate with universal two-wire AC input voltage from 120V to 347Vac at less than 4.5 watts and universal two-wire DC input voltage from 6V to 48Vdc at less than 2.5 watts for single and double face signs. The housing assembly shall be fabricated of die-cast aluminum and consist of a universal die-cast aluminum back box. The back box shall be provided with conduit knockouts on top, back, and end. The trim plate shall have a round shape and attach to the housing assembly with two (2) torsion spring retainers, thereby eliminating all visible screws or hardware. The LED light strip shall be contained within the trim plate. The red LED technology shall be **AllnGaP**. The polished acrylic face panel shall have precision etched 6" high with 3/4" stroke red letters with a white, clear or mirror background. For recessed mounting applications, please contact your local sales office.

The exit sign in a self-powered configuration shall stay illuminated during emergency operation for at least 30 minutes upon AC failure.

The exit sign shall be CSA-C860 certified.

The exit sign shall be Emergi-Lite model: _____.

Dimensions



Power Consumption

Model	AC Specs		DC Specs	
	AC/DC red legend	120 to 347Vac	Less than 4.5W	6 to 24Vdc
Self-powered red legend	120 to 347Vac	Less than 5W	Ni-Cd battery	Min. 30 minutes

Ordering Information

Series	Housing Colour	Supply	Faceplate colour	Chevrons
C8SR36 = single face C8SR37 = double face	W = white BA = brushed aluminum B = black	-U = universal -UI = self-powered	-RC = red/clear* -RW = red/white -RM = red/mirror	Blank = no chevrons -AL = chevron left -AR = chevron right -DA = double chevrons -A = one chevron each side, double face

*Single face only.

EXAMPLE: C8SR36W-U-RC