

Project/Location: _____

Contractor: _____

Date: _____

Prepared by: _____

C8ES35 & C8SE35 Series

Bilingual Edge-Lit Exit Sign



Features

- Universal back box designed for surface or semi-recessed mounting on ceilings or walls
- Modular retainer clips allow “snap-in” installation of face panel after installation of back box
- LED edge-lit, extruded acrylic face panels with precision-etched lettering
- LED strip design allows for rotation for either ceiling or wall mounting
- Energy efficient – consumes less than 9 watts in AC or DC mode



Typical Specification

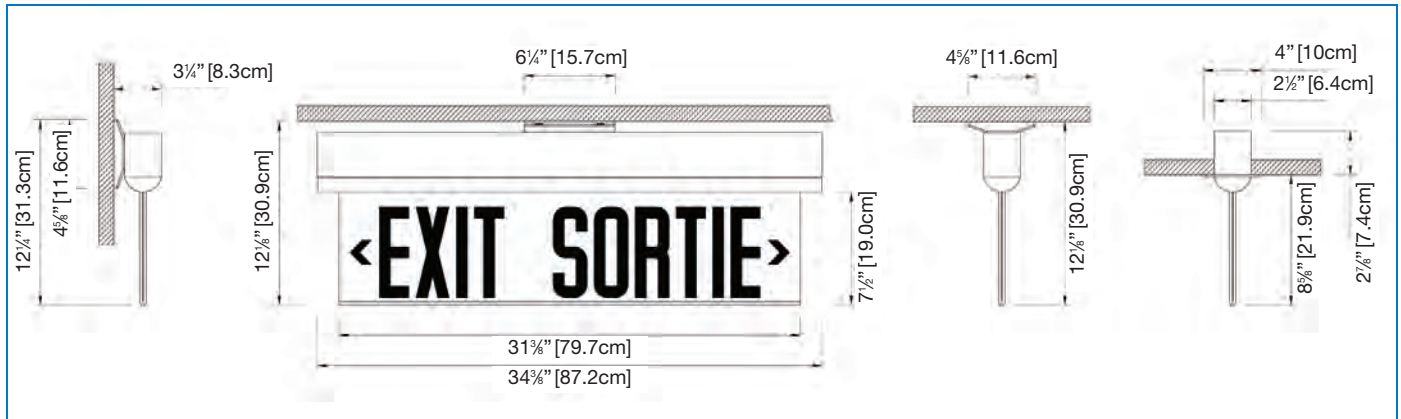
Supply and install the Emergi-lite **C8ES35** or **C8SE35 Series** LED Edge-Lit sign. The equipment shall operate with universal two-wire AC input voltage from 120Vac to 347Vac at less than 8.6 watts and universal 2-wires DC input voltage from 6Vdc to 48Vdc at less than 4.5 watts for single and double face signs. The housing assembly shall be fabricated of aluminum and consist of a universal aluminum back box with a factory white finish. The back box shall be provided with conduit knockouts on top and back. The trim plate shall have a round shape and shall attach to the housing assembly with two (2) torsion spring retainers thereby eliminating all visible hardware. The LED light strip shall be contained within the trim plate. Red LED technology shall be **ALINGAP**. The polished acrylic face panel shall have precision-etched 6” high and 3/4” stroke red letters with a white, clear or mirror background, with the words EXIT and SORTIE side by side. For recessed mount, please contact your regional sales office.

The exit sign in a self-powered configuration shall stay illuminated during emergency operation for at least 30 minutes upon AC failure.

The exit sign shall be certified CSA-C860.

The exit sign shall be Emergi-lite model: _____

Dimensions



Power Consumption

Model	AC Specs		DC Specs	
AC/DC red	120 to 347Vac	Less than 8.6W	6 to 48Vdc	Less than 4.5W
AC/DC green	120 to 347Vac	Less than 8.6W	Ni-Cd battery	Min. 30 minutes

Ordering Information

Series	Faces	Housing Colour	Power Source	Faceplate Colour	Chevrons
C8ES = EXIT SORTIE C8SE = SORTIE EXIT	36 = single face 37 = double face	W = factory white BA = brushed aluminum B = black	-U = universal -I = self-powered	-RC = red/clear* -RW = red/white -RM = red/mirror	Blank = no chevrons -AL = chevron left -AR = chevron right -DA = double chevrons -A = one chevron each side, double face
				*Not available on double face.	

EXAMPLE: C8ES36W-U-RC