

**LPEX300 – Exit sign**  
**AC & Self-Powered model**

**IMPORTANT SAFEGUARDS**

When using electrical equipment, basic safety precautions should always be followed including the following:

**READ AND FOLLOW ALL SAFETY INSTRUCTIONS**

1. Do not use outdoors.
2. Do not let power supply cords touch hot surfaces.
3. Do not mount near gas or electric heaters.
4. Use caution when handling batteries. Avoid possible shorting.
5. Equipment should be mounted in locations and at heights where it will not readily be subjected to tampering by unauthorized personnel.
6. The use of accessory equipment not recommended by the manufacturer may cause an unsafe condition.
7. Do not use this equipment for other than intended use.
8. All servicing should be performed by qualified service personnel.

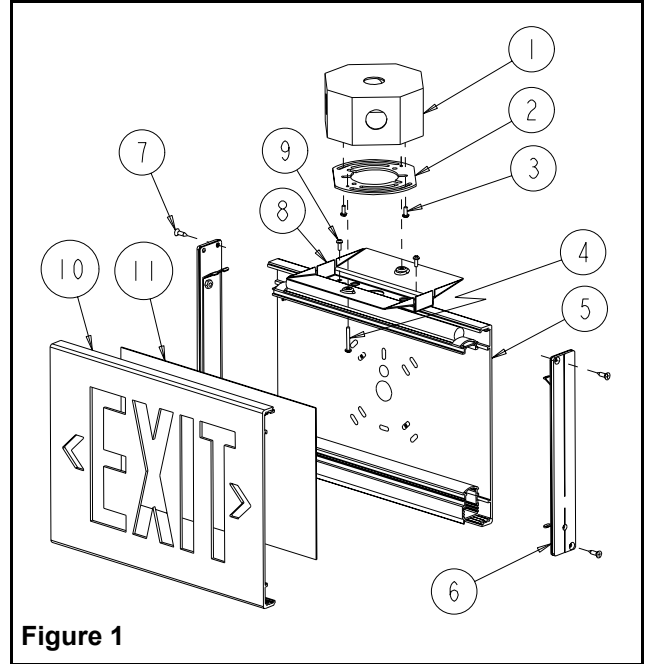
**SAVE THESE INSTRUCTIONS**

**Installation Instructions**

1. Turn off AC power.
2. Route an unswitched AC circuit of rated voltage into the junction box and leave 6" of wire length.
3. Follow the proper installation procedure.

**Ceiling mount and End mount (with canopy)**

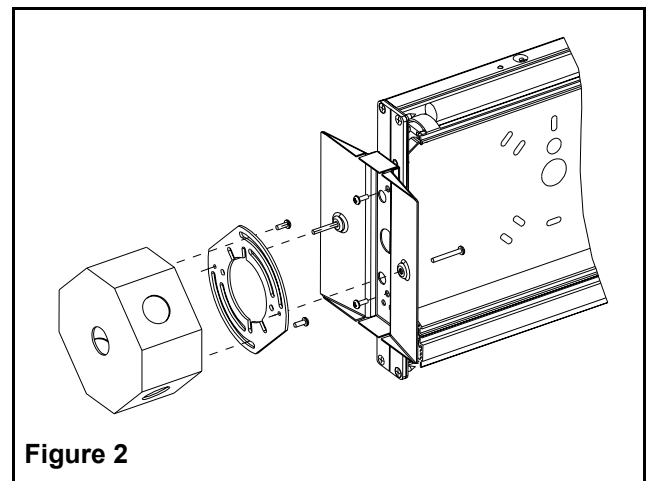
- a. Determine desired mounting location of sign (see fig. 2).
- b. Route AC wires, and DC wires if applicable, from exit through the canopy.
- c. Mount the spider plate provided to the junction box using the junction box screws.
- d. Attach incoming ground to the ground wire provided in the exit sign.
- e. Make the proper connections (see fig. 5).  
**120 VAC** — Connect the black (120) and white (neutral) leads to the building utility. Insulate the red wire.  
**347 VAC** — Connect the red (347) and white (neutral) leads to the building utility. Insulate the black wire.  
**277 VAC (optional)** — Connect the orange (277) and white (neutral) leads to the building utility. Insulate the black wire. Push back the excess wires into the junction box.
- f. Fasten the canopy-exit assembly to the spider plate using the #8-32 x 1" screws provided.



**Figure 1**

**Part List**

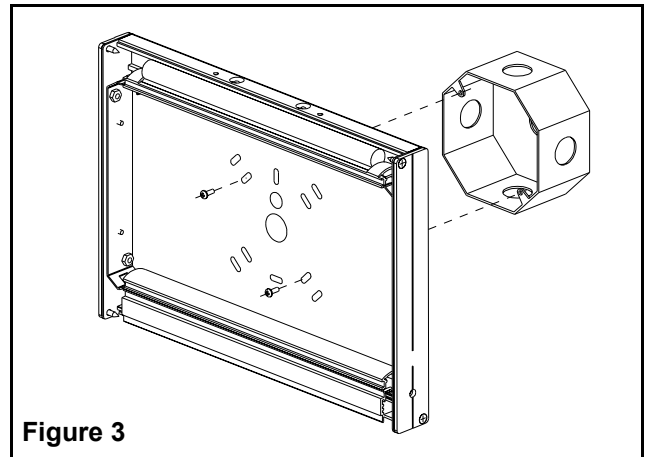
- |   |   |
|---|---|
| 1. Junction box (not provided)                            | 6. End cap (2)                                    |
| 2. Spider plate   | 7. End cap screw (4)                              |
| 3. Junction box screws (not provided)                     | 8. Canopy   |
| 4. Canopy screws 1" (2)                                   | 9. Canopy screw 3/8" (2)                          |
| 5. Back cover (or second front cover, double-sided units) | 10. Front cover                                   |
|   | 11. Diffuser (2 if the exit sign is double-sided) |



**Figure 2**

**Wall mount (no canopy)**

- a. Knock out the proper hole pattern in the backplate to mount to a standard junction box (including the large wire hole); place a support either side of the hole to be removed and knock out with a screwdriver.
- b. Feed AC supply leads through the center hole.
- c. Mount the exit sign securely to the junction box using the junction box screws (see fig. 3).
- d. Attach incoming ground to the ground wire provided in the exit sign.
- e. Make the proper connections (see fig. 5).
  - 120 VAC** — Connect the black (120) and white (neutral) leads to the building utility. Insulate the red wire.
  - 347 VAC** — Connect the red (347) and white (neutral) leads to the building utility. Insulate the black wire.
  - 277 VAC (optional)** — Connect the orange (277) and white (neutral) leads to the building utility. Insulate the black wire. Push back the excess wires into the junction box.

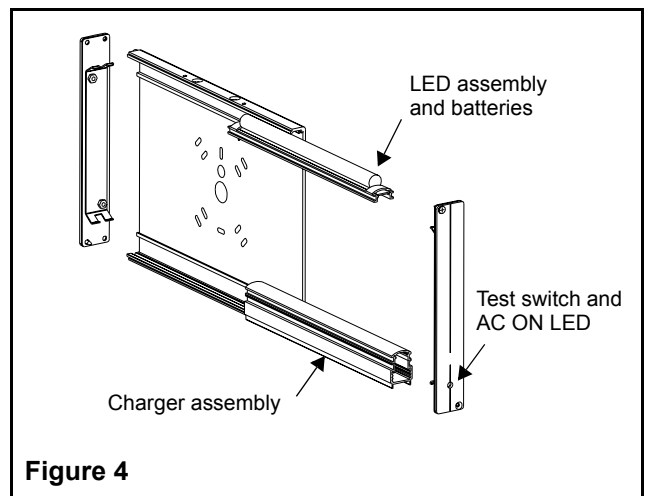


**Figure 3**

**LED replacement or battery**

To replace the LED assembly, you must open the exit sign.

- 1. Take off the end caps by removing the 2 end caps screws (only one end cap for end mounted signs). See fig. 4.
- 2. Slide out the front cover and diffuser.
- 3. The LED or battery assembly can be accessed. Unplug the LED and battery connectors at the end of the LEDs. Replace the old LED or battery assembly by the new one. Reconnect the connectors.
- 4. Slide back the front cover. Re-install the end caps with the screws.



**Figure 4**

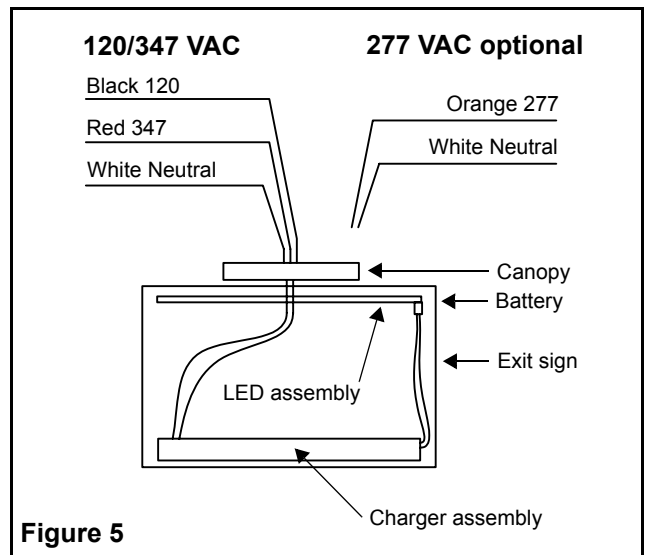
**Testing (Self powered models)**

Press test switch (see fig. 4). Legend will flicker, but remain lit, AC pilot lamp will extinguish. On release, pilot lamp will illuminate, and automatic charger will restore battery to full charge.

**Maintenance**

None required. If AC supply to the unit is to be disconnected for 2 months or more, the battery must be disconnected.

**Note** — Nickel Cadmium batteries are shipped discharged and may require 10 minutes of connection to AC supply before start-up test procedure and 24 hours to reach a full charge.



**Figure 5**