



# SR Series

## Steel Combo Unit

Project/Location: \_\_\_\_\_

Contractor: \_\_\_\_\_

Date: \_\_\_\_\_

Prepared by: \_\_\_\_\_

### Features

- Pre-assembled for ease of installation
- Metal housing with baked enamel finish – will not yellow
- Easy access to wiring entry
- Exit sign with long life, AlInGaP LED light source
- Energy efficient, consumes less than 3 watts in stand-by mode
- Power pack comes standard with premium lead calcium battery
- Other colors and options are available upon request
- CSA certified, meets or exceeds CSA C860 requirements
- NEXUS® compatible (for more information, please consult your sales representative)



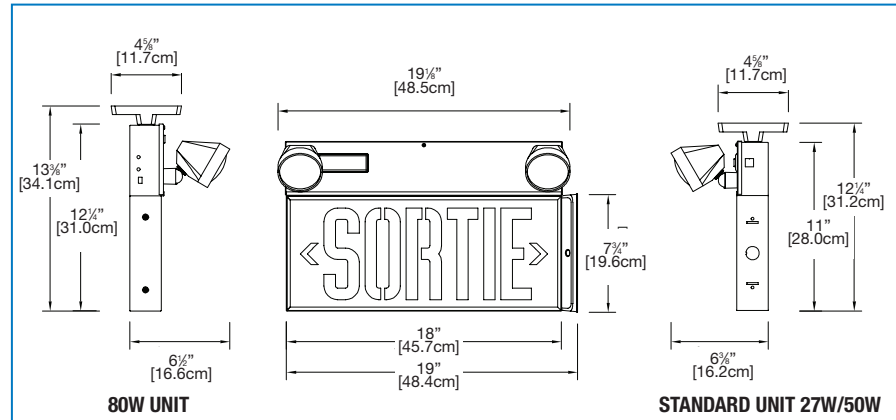
### Typical Specification

Supply and install the Emergi-Lite **SR Series** LED exit sign with power pack. The exit housing and faceplates shall be constructed of steel. The exit sign shall have a maximum depth of 2-1/2". The faceplate(s) shall be supplied with standard knockout chevrons. The light source for the exit sign shall be light emitting diodes (LED). The LED lamps shall provide illumination in normal and emergency operation and shall be mounted inside the exit housing, not on the face. Red LEDs shall be of **AlInGaP** technology. An LED-sensitive diffuser shall be mounted behind the legend to provide the 6" high by 3/4" stroke letters with even illumination. The power pack shall be a completely self-contained emergency unit with its own charger and rechargeable battery. The housing shall be made of steel. The unit shall be designed to provide exit illumination from the normal AC source. When a power failure occurs, the exit sign and the emergency heads shall illuminate in emergency mode for a minimum of 30 minutes. The power pack shall include a test switch and a high charge pilot light. The heads shall require no tools to adjust and aim. The heads will be of durable polycarbonate and use 6-volt, 9-watt lamps or as otherwise specified.

The exit sign shall be CSA-C860 certified.

The exit sign shall be Emergi-Lite model: \_\_\_\_\_.

### Dimensions



### Wire Guards

460.0081-E	Wall Mount
460.0060-E	Ceiling Mount

### Power Consumption

Model	AC Specs		Wattage Capacity				
			30min	1h00	1h30	2h00	4h00
Red Exit Sign Module	Self-contained	Less than 1W	-	-	-	-	-
R27 = 6V-27W		Maximum:	27	15	11	9	-
R50 = 6V-50W	120/347Vac	0.21/0.07 Amp	50	29	21	16	8
12R50 = 12V-50W		In stand-by:	50	29	21	16	8
12R80 = 12V-80W		0.04/0.015 Amp	80	46	33	26	13

### Ordering Information

Series	Colour	Voltage	Voltage and Supply	Options	Number of heads	Model and power headlights
<b>SR12</b> = single face, end or ceiling mount <b>SR10</b> = universal steel mount canopy with end mount.	<b>W</b> = factory white <b>B</b> = black <b>G</b> = silver gray*	<b>Blank</b> = 120/347Vac	<b>-P</b> = 6V-27W <b>-P5</b> = 6V-50W <b>-P5A</b> = 12V50W <b>-P8A</b> = 12V-80W	<b>Blank</b> = no options <b>D1</b> = time delay (5 min) <b>D2</b> = timer (10 min) <b>D3</b> = timer(15 min) <b>TP</b> = screw tamper <b>NEX</b> = NEXUS® system interface* <b>NEXRF</b> = wireless NEXUS® system interface*	<b>/0</b> = no heads <b>/1</b> = one head <b>/2</b> = double head	<b>M</b> = mini tungsten, 9W <b>MQ</b> = mini halogen, 8W <b>MQ12</b> = mini halogen, 12W <b>MI</b> = mini MR16, 6W <b>MJ</b> = mini MR16, 10W <b>MK</b> = mini MR16, 12W (12V only) <b>MA</b> = mini MR16, 20W (12V only)
	*Only available with black or white heads.			* Consult your sales representative for options available with NEXUS® system interface		Other models available. Consult your sales representative.

EXAMPLE: SR12W-P/0M