

C8ES70 Series – Extruded Aluminum LED Bilingual Sign

AC/DC & Self Powered

IMPORTANT SAFEGUARDS

When using electrical equipment, basic safety precautions should always be followed including the following:.

READ AND FOLLOW ALL SAFETY INSTRUCTIONS

1. Do not use outdoors.
2. Do not let power supply cords touch hot surfaces.
3. Do not mount near gas or electric heaters.
4. Use caution when handling batteries. Avoid possible shorting.
5. Equipment should be mounted in locations and at heights where it will not readily be subjected to tampering by unauthorized personnel.
6. The use of accessory equipment not recommended by the manufacturer may cause an unsafe condition.
7. Do not use this equipment for other than intended use.
8. All servicing should be performed by qualified service personnel.

SAVE THESE INSTRUCTIONS

Installation Instructions

1. Route unswitched AC circuit into electrical junction box and leave 6" wire length.
2. Remove face plate from frame by sliding the face plate upwards and pivoting the bottom outwards.
3. Remove directional arrow knockouts in faceplate as required. Place a support on either side of the arrow to be removed and knock out with a screwdriver (see fig. 2).
4. Follow the proper mounting procedure and continue to step 5.

Wall mount

- a. Knock out the proper hole pattern in the back plate to mount to the standard junction box; place a support on either side of the knockout to be removed and knock out with a screwdriver.
- b. Feed AC supply, and DC supply if applicable, leads through the center hole.
- c. Mount the exit sign securely to the junction box using the junction box screws (see fig. 3).

Ceiling mount (with canopy)

- a. Determine desired mounting location of sign making sure backplate is mounted so exit face will be facing in desired direction.
- b. Remove the proper knockouts in the frame for the canopy with a hammer and screwdriver. For self-powered models, you might

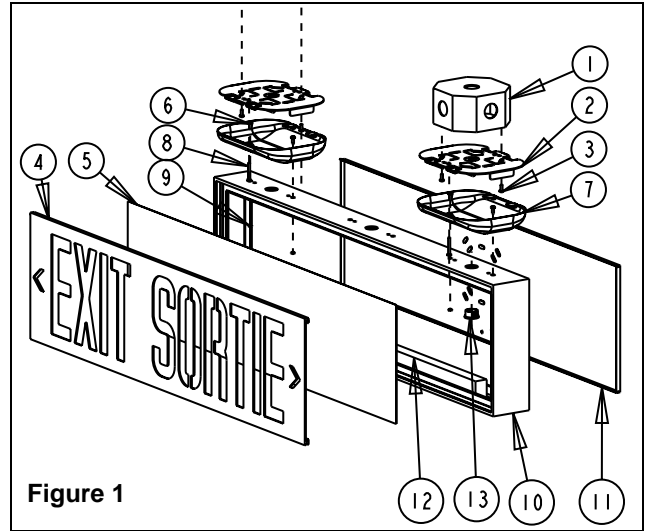


Figure 1

Parts List

- | | |
|--------------------------------------|-------------------------|
| 1. Junction box (not provided) | 7. Canopy (2) |
| 2. Spider plate (2) | 8. Screw #8-32 long (2) |
| 3. Junction box screw (not provided) | 9. Keps nuts (4) |
| 4. Face plate | 10. Frame |
| 5. Diffuser | 11. Backplate |
| 6. Screw #8-32 short (4) | 12. LED STRIP |
| | 13. Bushing |

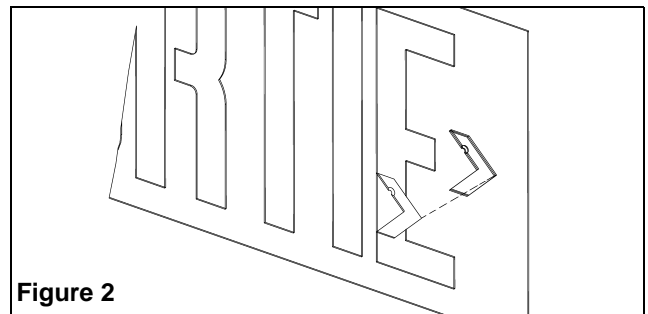


Figure 2

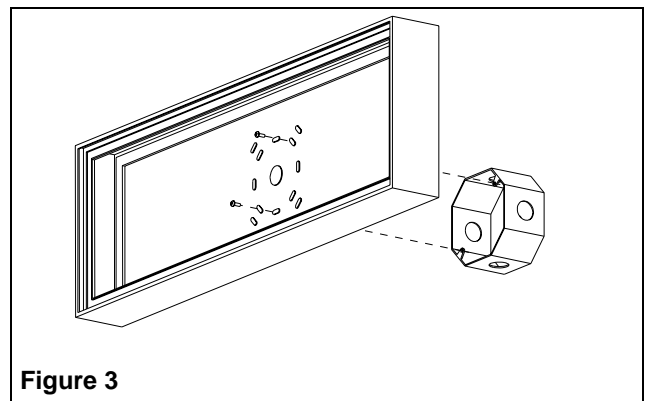


Figure 3

- need to remove the control module to access the canopy knock-outs.
- c. Route AC wires from exit sign through large knockout.
 - d. Fasten the spider plate to the junction box using the junction box screws. Align threaded hole in the spider plate to line up with the canopy hole for correct ceiling mounting position.
 - e. Fasten the canopies to the exit using #8-32 short screws and keps nuts provided (see fig. 1).
 - f. Make the proper wire connections. The “Quick-install” canopy is equipped with ribs allowing you to hang the unit to the spider plate to facilitate wiring (See fig.4). Feed the excess wire into the junction box and secure the canopy to the junction box using the long screw provided(8).
 - g. Fasten the canopy-exit assembly to the spider plate using the #8-32 long screw provided.
 - h. Securely mount the second canopy in place. (Hardware not provided)
5. Make the proper connections. On the standard universal model, our unit accepts an input voltage of 120 VAC to 347 VAC (see fig. 5).
120 VAC TO 347 VAC — Connect the purple (120 VAC TO 347 VAC) and white (Neutral) leads to the building utility.
***Note: Colors may be different for special voltages.**
6. Feed excess wire into the junction box.
 7. Connect the green ground wire to the service ground or the ground connection in the junction box.
 8. Re-install self-power module if previously removed, replace faceplate onto frame.
 9. When ready to energize AC, plug in polarized battery connector to circuit board (self-power models). Connect battery and turn on AC power within 6 hours.
 10. Turn on AC supply. LED strip will light and red pilot light will illuminate. Allow 24 hours charge before initial duration testing.

AC/DC Models

Refer to fig. 5 for AC & DC wiring.

For DC portion — Wire the Red lead (+) to the positive DC input voltage and the Blue lead (-) to the negative DC input voltage. Note: DC input voltage range is 6 volts to 24 volts or higher as specified.

Testing (self-powered models)

Operate test switch, LED strip will brighten. Release test switch, LED strip will dim and pilot light will be illuminated. If LED strip appears dim or does not light on test, leave AC connected for at least 15 minutes and re-test. If still incorrect, contact a serviceman or the factory for assistance.

Maintenance

None required. Unit should be tested monthly in accordance with safety codes and local codes. If AC supply to the unit is to be disconnected for 2 months or more, the battery must be disconnected (self-powered models only).

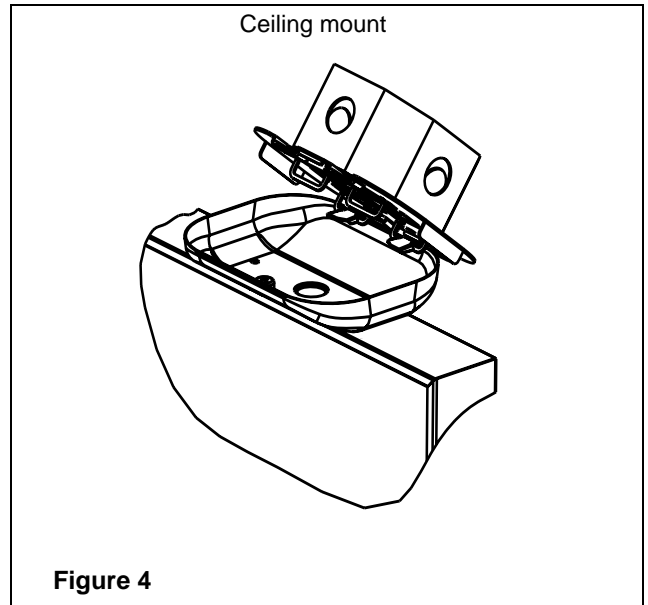


Figure 4

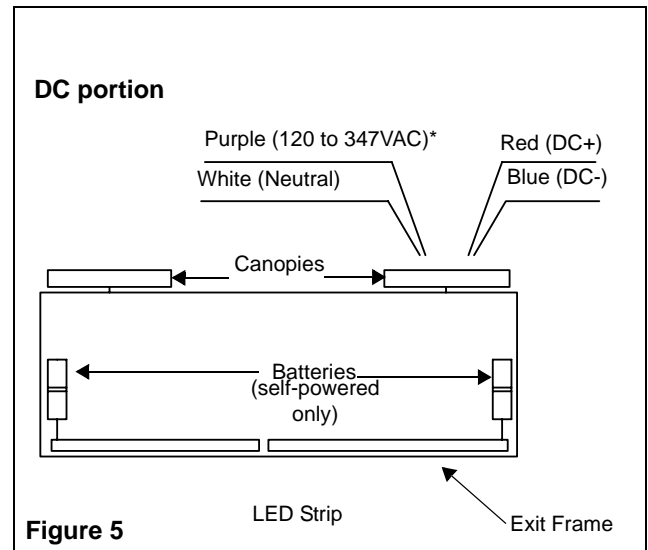


Figure 5