



12ESL-SR Series

All Metal High Power
Combination Unit

Project/Location:

Contractor:

Date:

Prepared by:

Features

- Standard 120/347Vac input
- Selection of lamp head styles
- Solid state pulse type charger standard
- Sealed dust-proof transfer relay
- Optional self-diagnostic charger (110 watts only)



Typical Specification

Supply and install the Emergi-Lite **12ESL-SR Series** high capacity combo unit with housing and faceplate constructed of steel. The faceplate shall be supplied with standard knockout chevrons. The light source for the exit sign shall be light-emitting diodes (LED). The LED lamps shall provide illumination in normal and emergency operation. Reel LEDs shall be of **AllnGaP** technology. The power pack, the battery and the LEDs shall be contained in a single housing. A diffuser optimized for the LEDs shall be mounted behind the legend to provide the 6" high by 3/4" stroke letters with even illumination. The power pack shall include a test switch and a high charge pilot light. The unit shall be designed to provide exit illumination from the normal AC power source. When a power failure occurs, the exit sign and the lamp heads shall illuminate in emergency mode for a minimum of 30 minutes. The power available for the lamp heads shall be at least 110 watts or as otherwise specified. The lamp heads shall require no tools to adjust or aim.

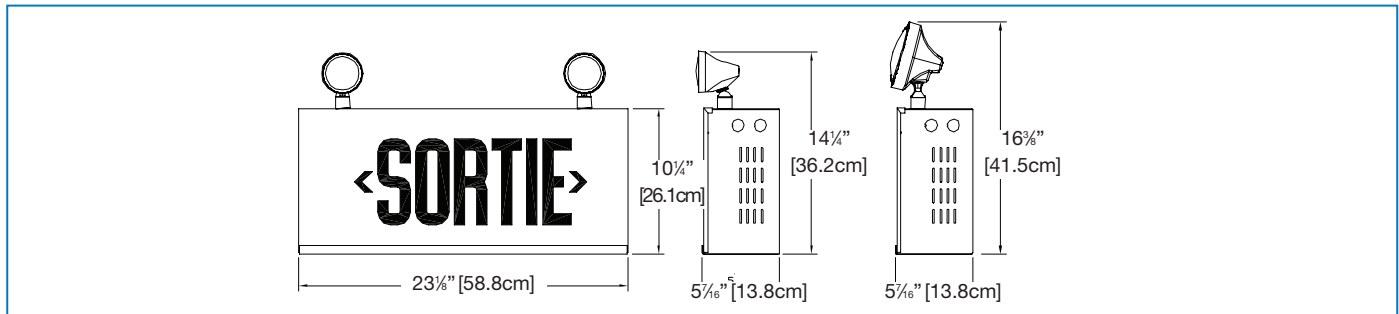
The exit sign shall be CSA-C860 certified.

The equipment shall be Emergi-Lite model: _____.

Wire Guards

460.0081-E	Montage mural Cabinet B
460.0034-E	Montage mural Cabinet C

Dimensions



Power Consumption and Unit Rating

Model	AC Specs	Wattage Capacity				
		30min	1h00	1h30	2h00	4h00
Sortie	120 / 347V c.a.	Less than 2W	-	-	-	-
12ESL110		0.25/0.10 Amp	110	64	45	36
12ESL144		0.25/0.10 Amp	144	84	60	48
12ESL250		0.45/0.15 Amp	250	144	100	83
12ESL360		0.45/0.15 Amp	360	210	150	120

Ordering Information

Series, Voltage and Wattage	Colour*	Lettering	Voltage	Options	Number of Heads	Head Style and Wattage	
12ESL110 = 12V - 110 watts 12ESL144 = 12V - 144 watts 12ESL250 = 12V - 250 watts 12ESL360 = 12V - 360 watts	Blank = factory white B = black *Other colours available on demand. Consult your sales representative.	SR = SORTIE	Blank = 120/347V ac 2 = 277Vac	Blank = no options U = auto diagnostics (110W only)	/0 = no heads /1 = one head /2 = two heads /3 = three heads	M = mini tungsten, 12V - 9 watts, wedge base M18 = mini tungsten, 12V - 18 watts, wedge base MQ = mini halogen, 12V - 8 watts, quartz bi-pin MQ12 = mini halogen, 12V - 12 watts, quartz bi-pin MA = mini halogen, 12V-20 watts, MR16 MK = mini halogen, 12V - 12 watts, MR16 Blank = large tungsten, 12V - 9 watts, wedge base -18 = large tungsten, 12V - 18 watts, wedge base -25 = large tungsten, 12V - 25 watts, DCB Q = large halogen, 12V - 8 watts, quartz bi-pin Q12 = large halogen, 12V - 12 watts, quartz bi-pin	Q20 = large halogen, 12V - 20watts, quartz bi-pin Q55 = large halogen, 12V - 55 watts, quartz bi-pin S12 = large tungsten, 12V - 12 watts, sealed beam S18 = large tungsten, 12V - 18 watts, sealed beam S25 = large tungsten, 12V - 25 watts, sealed beam H = large halogen, 12V - 8 watts, quartz sealed beam H12 = large halogen, 12V - 12 watt, quartz sealed beam 150MK = Deco head EF150, 12V - 12W, MR16 150MA = Deco head EF150, 12V - 20W, MR16 150MB = Deco head EF150, 12V - 35W, MR16 150MC = Deco head EF150, 12V - 50W, MR16

EXAMPLE: 12ESL110SR/OM