

Project/Location:

Contractor:

Date:

Prepared by:

C8SR50-P Series

Extruded Aluminum Combination Unit – 6/12V



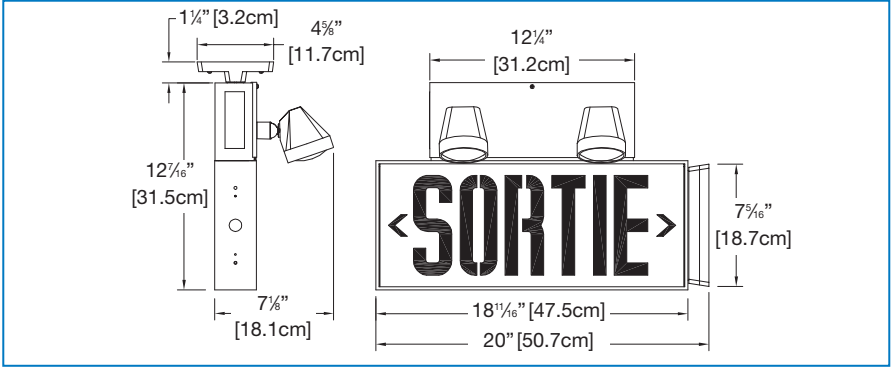
Typical Specification

Supply and install the Emergi-Lite **C8SR50 Series** LED exit sign with power pack. The exit housing shall be constructed of rugged extruded aluminum. The faceplate shall be constructed of rugged extruded aluminum. The exit sign shall have a maximum depth of 2-1/2". The faceplate(s) shall be supplied with standard knockout chevrons. The light source shall be light emitting diodes (LED). The LED lamps shall provide illumination in normal and emergency operation and shall be mounted inside the exit housing, not on the faceplate. Red LED technology shall be **AllnGaP**. An LED-sensitive diffuser shall be mounted behind the legend to provide the 6" high by 3/4" stroke letters with even illumination. The power pack shall be a completely self-contained emergency unit with its own charger and rechargeable battery. The housing shall be made of steel. The unit shall be designed to provide exit illumination from the normal AC source. When a power failure occurs, the mounted heads and the exit sign are illuminated in emergency mode for a minimum of 30 minutes. The power pack is supplied with a test switch and a high charge pilot light, and is available as either 18, 36 or 72 watts. The lamp heads shall require no tools to adjust and aim. The heads shall be made of polycarbonate and use 6-volt, 9-watt lamps, or as otherwise specified.

The exit sign shall be CSA-C860 certified.

The equipment shall be Emergi-Lite model: _____.

Dimensions



Features

- Exit Sign**
- Rugged extruded aluminum housing with a maximum depth of 2-1/2"
 - Extruded aluminum faceplate
 - White finish standard
 - Standard field-selectable knockout chevrons
 - Long life, energy efficient LED light source, mounted inside the exit housing, not on the faceplate.
 - AllnGaP technology LED
 - NEXUS® compatible (for more information on NEXUS®, please consult your sales representative)
- Power Pack**
- Steel housing
 - Completely self-contained unit with rechargeable sealed lead-acid battery
 - Lamp heads require no tools to adjust or aim
 - Provides a minimum of 30 minutes of illumination (lamp heads and exit sign) in emergency mode
 - CSA certified, meets or exceeds C860 requirements



Wire Guards

460.0081-E	Wall Mount
460.0060-E	Ceiling Mount

Power Consumption and Unit Rating

Model	AC Specs	Wattage Capacity					
		30min	1h00	1h30	2h00	4h00	
Exit Sign	120/347Vac	Less than 2W	-	-	-	-	
SMCS = 6V-18W		0.15/0.05 Amp	18	10	7	6	3
SMCS = 6V-36W		0.15/0.05 Amp	36	21	15	12	6
SMCS = 12V-36W		0.18/0.07 Amp	36	21	15	12	6
SMCS = 6V-72W		0.15/0.05 Amp	72	42	30	24	12
SMCS = 12V-72W		0.18/0.07 Amp	72	42	30	24	12

Ordering Information

Series and Faces	Housing Colour	Voltage	Supply and Voltage	Options	Number of head	Model and power headlights
C8SR52 = simple face C8SR53 = double face	W = factory white B = black G = gray BA = brushed aluminum TA = textured aluminium <small>*Only available with white or black headlights.</small>	Blank = 120/347Vac -2 = 277Vac	-P1 = 6V-18W -P3 = 6V-36W -P3A = 12V-36W -P7 = 6V-72W -P7A = 12V-72W	Blank = aucune option D = time delay U = auto-diagnostic X = remote receiver test* TXC = remote test transmitter G = green letters NEX = NEXUS® system interface** NEXRF = wireless NEXUS® system interface** <small>*Transmitter test required by command. ** Consult your sales representative for options available with the NEXUS® system.</small>	/0 = no head /1 = one head /2 = double head	M = mini tungsten, 9W MQ = mini halogen, 8W MQ12 = mini halogen, 12W MI = mini MR16, 6W (6V only) MJ = mini MR16, 10W (6V only) MK = mini MR16, 12W (12V only) MA = mini MR16, 20W (12V only) <small>Other models available. Contact your sales representative.</small>

EXAMPLE: C8SR52W-P1D/0M