



# C8SRPK-P Series

## Industrial Combo Unit

Project/Location: \_\_\_\_\_

Contractor: \_\_\_\_\_

Date: \_\_\_\_\_

Prepared by: \_\_\_\_\_

### Features

- This unit is ideal for schools, parking garages, public places, transit platforms and security areas such as jails.
- Units are NEMA-3R certified
- Gasketed fiberglass housing designed specially for industrial applications
- Sealed, vandal resistant clear polycarbonate faceplate
- Fully integrated unit with charger and rechargeable battery
- Water and snow resistant, suitable for areas subject to vandalism and wet locations
- Solid state charger circuitry – capable of full recharge within 24 hours
- Low voltage disconnect circuitry
- Sealed, dust-tight transfer relay
- Exit light source is AllnGaP technology LED
- Power pack includes a magnetic test switch and a high charge pilot light
- In emergency mode, the long life, sealed nickel battery provides power to the exit sign and lamp heads during a minimum of 30 minutes
- CSA certified, meets or exceeds C860 requirements



### Wire Guards

|            |               |
|------------|---------------|
| 460.0103-E | Wall Mount    |
| 460.0104-E | Ceiling Mount |

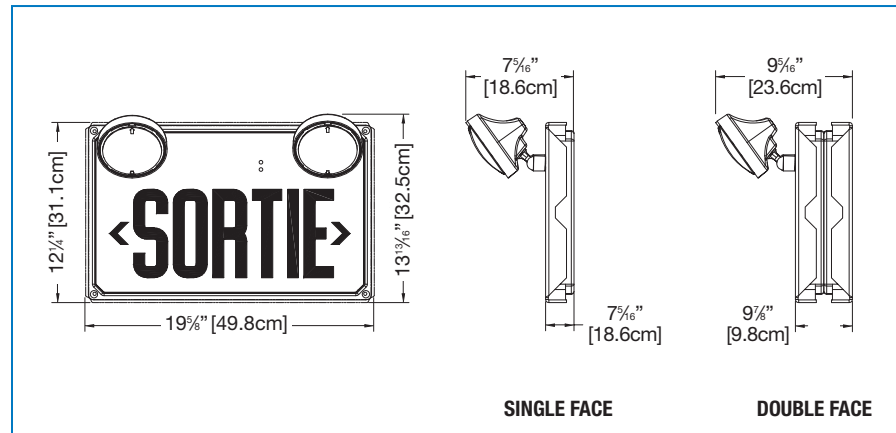
### Typical Specification

Supply and install Emergi-Lite **C8SRPK-P Series** industrial combo unit. The unit shall be fabricated of industrial grade polycarbonate designed specifically for industrial environments. The sealed front cover shall be fabricated of high abuse and vandal resistant polycarbonate, and feature an evenly illuminated legend. The word « SORTIE » shall be illuminated by long life LEDs consuming less than 3 watts per face. The light source shall be the **AllnGaP** technology red LED. The exit sign shall be certified NEMA 3R and designed specifically for applications such as high abuse areas, wet locations, environments requiring dust and oil tight equipment or subject to cold temperatures. It shall be designed to provide normal AC illumination and upon AC failure, the exit sign and lamp heads shall stay illuminated in emergency mode for a minimum of 30 minutes. The power pack is supplied with a magnetic test switch and a high charge pilot light.

The combo unit shall be CSA-C860 and NEMA-3R certified.

The equipment shall be Emergi-Lite model: \_\_\_\_\_.

### Dimensions



### AC Power Consumption and Battery Capacity (Single Face Model)\*\*

| Model   | AC Specs   |               | Wattage Capacity |      |      |      |      |
|---------|------------|---------------|------------------|------|------|------|------|
|         |            |               | 30min            | 1h00 | 1h30 | 2h00 | 4h00 |
| C8SR-P3 | 120/347Vac | 0.15/0.06 Amp | 36               | 21   | 15   | 12   | 6    |
| C8SR-P7 |            | 0.15/0.06 Amp | 72               | 42   | 30   | 24   | 12   |

### Ordering Information

| Series   | Voltage                   | Supply and Voltage                         | Number of heads  | Model and power headlights  | Options  |
|--|---------------------------|--|--|---|--|
| <b>C8SRPK1</b> = SORTIE, single face<br><b>C8SRPK2</b> = SORTIE, double face | <b>Blank</b> = 120/347vac | <b>-P3</b> = 6V-36W<br><b>-P7</b> = 6V-72W | <b>Blank</b> = no head<br><b>/1</b> = one head<br><b>/2</b> = double heads | <b>Blank</b> = by 36, tungsten, 6V, 9W<br><b>-18</b> = par 36, tungsten 6V, 18W<br><b>-25</b> = par 36, tungsten, 6V, 25W<br><b>Q</b> = par 36, halogen, 6V, 8W<br><b>Q12</b> = par 36, halogen, 6V, 12W<br><b>Q20</b> = par 36, halogen, 6V, 20W<br><b>S</b> = sealed beam, tungsten, 6V, 9W<br><b>S18</b> = sealed beam tungsten, 6V, 18W<br><b>S25</b> = sealed beam, tungsten, 6V, 25W<br><b>H</b> = sealed beam, halogen, 6V, 8W<br><b>H12</b> = sealed beam, halogen, 6V, 12W<br><b>H20</b> = sealed beam, halogen, 6V, 20W | <b>H</b> = heater and thermostat *<br><b>FP</b> = lens with teflon coating |
|  |                           |  |  | *Rubber heads also available.   | *Unauthorized CSA  |

EXAMPLE: C8SRPK1P3H