



EX160



SR160

EX160 & SR160 Series

Power Free Exit Sign

Project/Location: _____

Contractor: _____

Date: _____

Prepared by: _____

Features

- Illumination provided by borosilicate glass tubes, internally coated with zinc sulphide phosphor and filled with tritium gas
- Minimum brightness at time of manufacture is 0.132 foot-lambert
- Decorative, slim-line heavy-duty ABS housing
- Rugged, impact-resistant polycarbonate face
- Spark free construction
- Simple installation – universal direction capability, comes complete with universal mounting hardware
- Stands up to extreme temperatures in outdoor or indoor applications
- Standard 12-year life expectancy. 15- or 20-year life expectancies available as an option



Typical Specification

Supply and install Emergi-lite **EX160** or **SR160 Series** self-luminous exit signs.

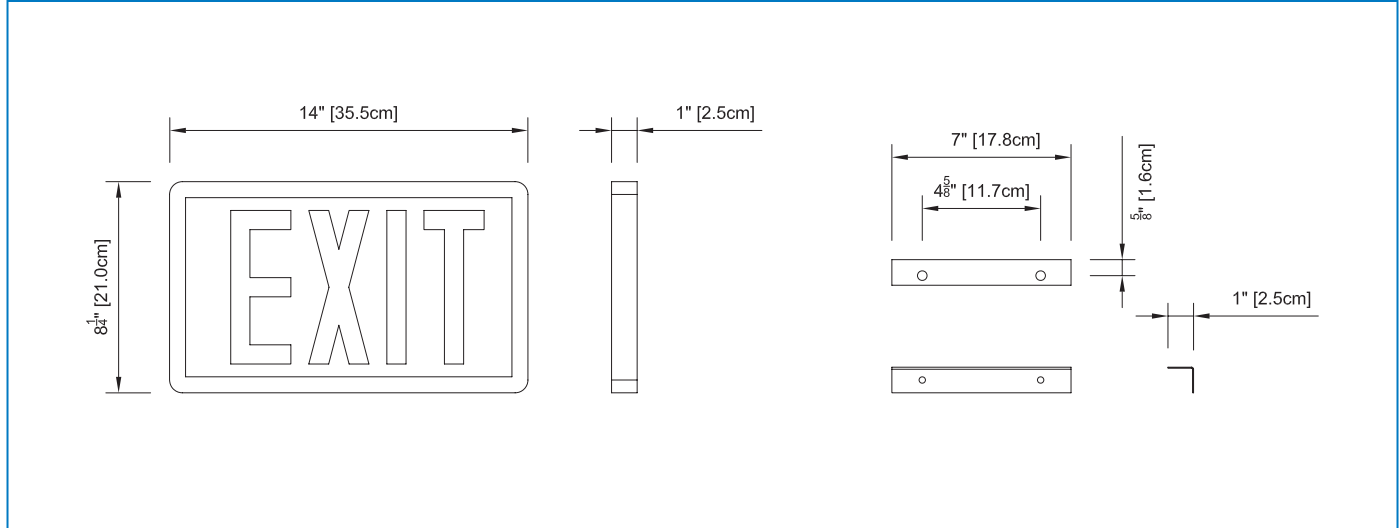
The exit shall be constructed of thermoplastic housing and completely corrosion proof. The sealed housing will incorporate no loose or removable parts allowing for easy installation. The standard expected life shall be 12 years with a minimum guaranteed life of 10 years. The standard mounting brackets will allow for either end/ceiling or wall mount. Standard signs shall be supplied with red face, grey frame and white letters that are 6" high by 3/4" stroke. The initial average minimum brightness shall be .132 foot-lambert.

The Exit shall be Emergi-lite model: _____.

Wire Guards

460.0079-E	Wall Mount
460.0027-E	End Mount
460.0028-E	Ceiling Mount

Dimensions



Ordering Information

Series	Faces	Background Colour	Housing Colour	Life Years
EX16 = EXIT ES16 = EXIT SORTIE, 3" lettering CL16 = custom lettering SR16 = SORTIE SE16 = SORTIE EXIT, 3" lettering	2 = single face 3 = double face	R = red	G = grey W = white B = black	-12 = 12 years -15 = 15 years*

*Not available in SORTIE

EXAMPLE: ES162RW-12