

Zone Sensing ZCB Series



Operation

The ZCB (Zone Control Box) option activates all of the emergency lighting if only one, multiple or all zones become de-energized through either a power failure or lighting circuit breaker tripping.

This greatly enhances the life safety system, as any failure of a lighting circuit will ensure emergency egress lighting.

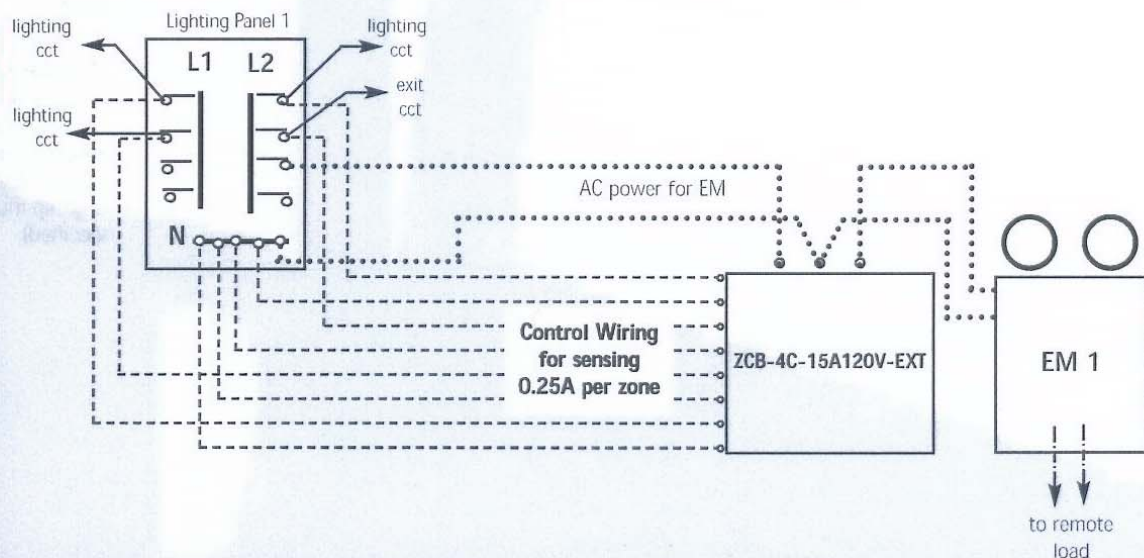
A separate test button for each zone enables individual testing of each circuit monitored. The ZCB can be specified to be manufactured within a battery pack or in its own separate enclosure.

NBCC 9.9.11.3.(3) Emergency lighting required in sentence (1) shall be designed to be automatically actuated when the electric lighting in the affected area is interrupted.

CEC46-304(4)(a) Unit equipment shall be:

(a) Installed in such a manner that it will be automatically actuated upon failure of the power supply to the normal lighting in the area covered by that unit equipment

Typical ZCB-4C-15A120V-EXT Wiring





Project/Location:	Date:
Contractor:	Prepared by:

Zone Control ZCB Series

Typical Specification

Each battery pack shall be provided with either internally or externally, zone sensing relays. These relays shall be pre-wired by the factory within the battery pack or pre-wired in their own enclosure. Each zone shall have it's own 'push to test' push button mounted on the side of the battery pack or in the case of a separate enclosure, on the enclosure door. Each zone push button shall be clearly identified to the corresponding branch lighting or exit circuit being monitored. Provide a minimum of two (2) spare zone circuits for future use. The zone sensing panel shall be equal to that of a Emergi-lite model ZCB-(number of zones)-(circuit rating)-(A.C. voltage of circuits and battery unit equipment)-(type of enclosure)-(options).

How to specify or order

EXAMPLE: ZCB-4-15A120V-INT-PB

ZCB	-	-	-	-	-
Series	# of ccts (zones) or lighting panels monitored	circuit rating	AC voltage of circuits and battery unit equipment 120V 347V	Cabinet -INT = ZCB supplied in battery pack enclosure -EXT = ZCB supplied in its own EEMAC 1 enclosure -EXT-K = ZCB supplied in its own EEMAC 12 (Dust Tight) enclosure -EXT-PK = ZCB supplied in its own EEMAC 4 enclosure -EXT-XP = ZCB supplied in its own Classified Area Use enclosure (class, division & group must be specified)	Options PB = push button zone testing PL = pilot lamp per zone