

Project/Location:

Contractor:

Date:

Prepared by:



PRE Series

Die-Cast LED exit sign



Typical Specification

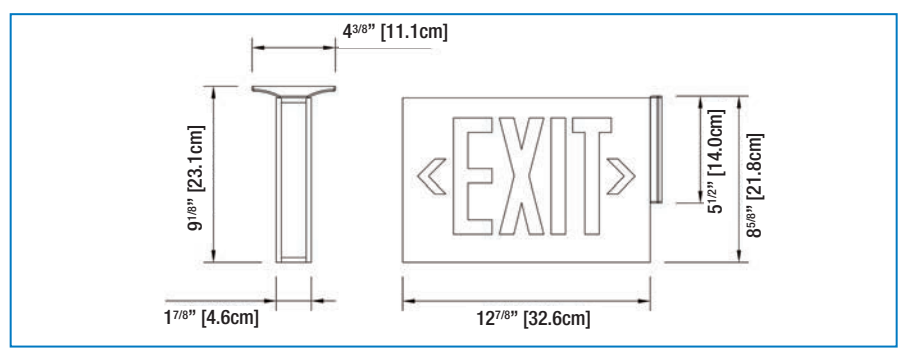
Stylish built in die-cast aluminum, the new **PRE Series** offer superior workmanship, versatile mounting capabilities and economical, long-lasting LED performance.

Supply and install the **Emergi-lite® PRE Series** exit sign. The frame, face plate(s), back plate and canopy shall be constructed of die-cast aluminum of ____ finish and ____ color. No screws are necessary to hold the faceplate(s) or the back plate to the housing. The unit shall be suitable for installation on wall, end, or ceiling mount. The faceplates shall come standard with knockout chevrons. The light source shall be light emitting diodes (LEDs). Red LED technology shall be ALINGAP. The LEDs shall provide illumination in normal and emergency operation and shall be mounted inside the exit housing, not on the face. A LED-sensitive diffuser shall be mounted in front of the LEDs to provide the 6" high by 3/4" stroke letters with even illumination. The exit sign in a self-powered configuration shall be equipped with a sealed, maintenance-free Nickel-Cadmium battery. The equipment shall operate with a dual-voltage input of 120/347Vac 60Hz with less than 3.5 Watts of consumption. The equipment shall stay illuminated at least 90 minutes upon AC failure. The exit sign shall be listed to UL924 standard and be approved for use in damp locations.

When specified, the self-powered model equipped with advanced diagnostic shall self-test by simulating a power failure for one minute every 30 days, 30 minutes every 60 days and 90 minutes every 360 days. A diagnostic circuit shall continuously monitor the performance of the battery, charger module and LED lamps. Upon failure detection the system shall display the error on the AC pilot lamp, which will change color from green to red and will flash with a specific code. The red light shall be steady-on in case of "Battery Disconnect"; it shall flash with one blink for "Battery failure", two blinks for "Charger failure" and four blinks for "LED lamp failure". A label with the diagnostic legend shall be visible next to the pilot light.

The exit sign shall be **Emergi-Lite®** model: _____.

Dimensions



Features

- Housing of die-cast Aluminum in a variety of finishes
- Slim-line canopy for top and end mounting
- Universal mounting or: wall, end, or ceiling
- Universal, field-selectable knock-out chevrons
- Long-life LED light source. Red LED's of ALINGAP technology
- Dual voltage input: 120 / 347Vac 60Hz
- Low power consumption: less than 3.5 Watts in any configuration
- Self-powered models with sealed maintenance-free Nickel-Cadmium batteries
- CSA approved
- Five-year full warranty



Wire Guards

460.0079-E	Wall Mount
460.0027-E	End Mount
460.0028-E	Ceiling Mount

Power Consumption

Model	AC Specs		DC Specs	
	Voltage	Power	Voltage	Power
AC-Only	120 / 347Vac	Less than 2.5W	-	-
AC/DC- Remote	120 / 347Vac	Less than 2W	6 to 48Vdc	Less than 1.5W
Self-powered	120 / 347Vac	Less than 3.5W	Ni-Cd battery	Min. 90 minutes
Self-powered with advanced diagnostic	120 / 347Vac	Less than 3W	Ni-Cd battery	Min. 90 minutes

Ordering Information

Door Type	Series	Enclosure Colour	Unit type	Voltage	Legend colour	Options
Blank = standard door CL = open face for special wording	PRED = LED die cast	BA = black/ brushed aluminum A = brushed aluminum WA = white/ brushed aluminum W = factory white B = black	AC = AC only UD = 120/277 or 120/347vac & 6 to 48vdc IDN = self-powered diagnostic Ni-Cd (90 Min) IN = self-powered Ni-Cd (90 Min) AC2C1 = dual AC circuit (2 x 120V) AC2C2 = dual AC circuit (2 x 277V) NEX = NEXUS® system interface (90 Min)* NEXRF = NEXUS® wireless system interface (90 Min)* * Consult your sales representative for option available with NEXUS® system.	Blank = dual AC circuit only 2 = 120/277Vac 3 = 120/347Vac	R1 = single face red R2 = double face red G1 = single face green G2 = double face green	TP = tamper proof screws* VRTP = polycarbonate shield with tamper proof screws* * indicate single or double face

Example: PREDAAC2R1

