

Project/Location: _____

Contractor: _____

Date: _____

Prepared by: _____

Distinction Series

Recessed Pot-Lites

Decorative Recessed Fixture



Typical Specification

Recessed heads and housings:

The contractor will supply and install Emergi-Lite **Distinction** internally self-powered Series. The unit will have a dual input 120/347 Vac 60Hz. Recessed heads will be constructed of a durable powder coated or electroplated, die cast aluminum construction and use MR16 halogen light sources and a 5 year NiCad battery.

The recessed head shall be adjustable to 0-90° vertical and 0-350° horizontal angle. The light source will be 6 volts 6 watts MR16 halogen narrow beam or otherwise specified. The unit shall be equipped with a sealed, high-temperature NiCad battery which will supply the emergency lamp a minimum of 30 minutes of illumination in the event of a power failure.

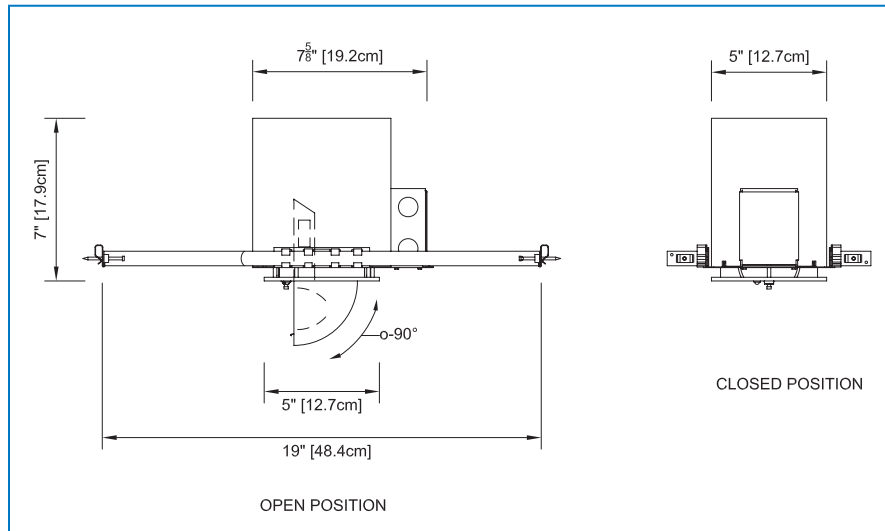
The unit shall be Emergi-Lite model: _____.

Features

- Durable, powder-coated or electroplated die-cast aluminum construction
- High performance MR16 halogen light source
- Maintenance-free, sealed nickel cadmium battery
- Quick disconnect feature for easy trim installation; easy to access for maintenance
- Fully automatic, solid-state Pulse-Guard charger with low voltage battery disconnect, brownout protection, integral test switch and long-life LED AC-On pilot lights
- Charger is designed for NiCad continuous trickle charge and is reverse polarity protected
- Also available as a remote fixture; see Remote Fixtures section of this catalogue
- Recessed, directional, retractable trim



Dimensions



Replacement Lamps

| Ordering Code | Type | Voltage-Wattage |
|---------------|------|-----------------|
| 580.0074-E | MR16 | 6V-6W |
| 580.0079-E | MR16 | 6V-10W |

Power Consumption and Unit Rating

| Model Number | AC Specs | | Emergency power available for lamps | | | | |
|--------------|---------------|-----------------|-------------------------------------|------|------|------|------|
| | | | 30min | 1h00 | 1h30 | 2h00 | 4h00 |
| EFR2 | 120 / 347 Vac | 0.08 / 0.03 Amp | 10W | - | 6W | - | - |

Ordering Information

| Series | Colour | Standard | Lamp Wattage |
|--------|--|----------------------------|--|
| EFR2 | WH = white BK = black BN = brushed nickel CH = chrome PB = polished brass | SP-C = self-powered | Blank = 6 watts, MR16 10 = 10 watts, MR16 |

EXAMPLE: EFR2WHSP-C