



# Everlast™ Series

Decorative  
Ceiling or Wall Luminaire



## Architectural dual-purpose lighting maintained (normally-on)

The Everlast™ Series sets new standards for aesthetic and technical flexibility for recessed and surface-mounted ceiling or wall lighting applications.

Utilizing high-performance PL-27 lamp technology and a Nickel Cadmium battery, the Everlast™ Series is ideally suited for institutional environments or any application that calls for aesthetic appeal and high performance.

### Features

- Maintained (normally-on) or non-maintained (normally-off)
- Highly resistant polycarbonate lens
- Easy installation – direct mount on junction box
- Mounting options – surface mount (standard), recessed mount and recessed T-Bar mount
- Choice of white, black or grey finishes
- High efficiency PL-27 fluorescent lamp
- CSA approved for 90 minutes of emergency lighting



**EMERGI-LITE**



Project/Location:

Date:

Contractor:

Prepared by:

# Everlast™ Series

## Typical Specification

Supply and install the Emergi-Lite Everlast™ Series emergency lighting fixtures. Powered by a 7.2V, long-life high temperature Nickel Cadmium battery, the luminaire will come complete with one PL-27 (27 watts) fluorescent lamp and will be spaced at every \_\_\_\_ ft. The battery unit will supply the rated load for a minimum of 90 minutes under 87.5% of the rated battery voltage. The unit shall be rated at either 120V, 277V or 347V and be Class II. The charger shall be fully computer tested, current limited and short circuit proof. The unit shall be furnished with an electronic lock-out circuit which will connect the battery only when the AC circuit is activated and a low-voltage battery disconnect circuit (LVD) when the battery reaches the end of discharge.

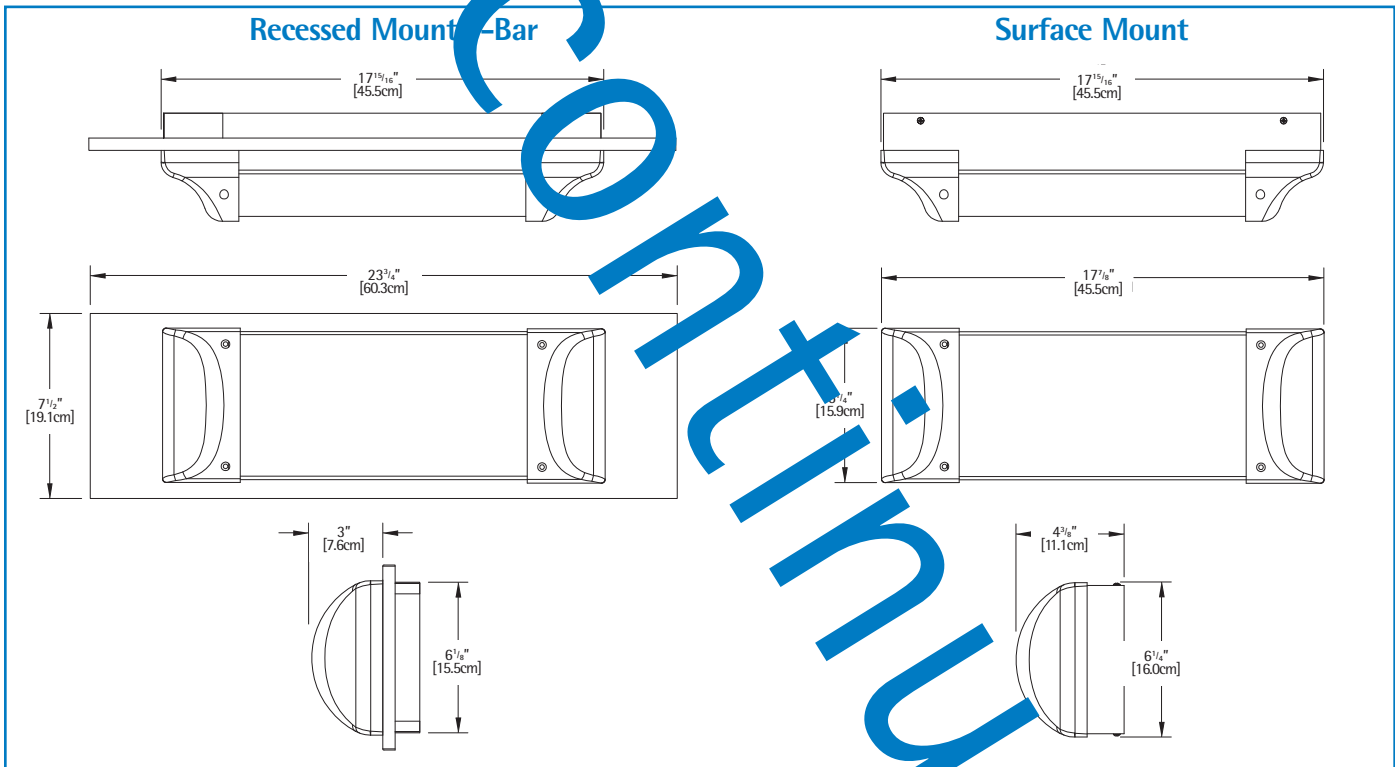
50% of rated lamp output lumen. Construction shall be flame retardant according to CSA requirements for plastic enclosures. Test switch and AC indicator shall be nonintrusive. Test switch must be of the magnetic type. Environmental rating shall be IP-20 or better.

**Auto-Diagnostic Option:** The unit will come complete with Everlast™ Series auto-diagnostic micro-controller board option. The unit shall self test for 1 minute every 30 days, 30 minutes on the 6th month and 90 minutes every 12 months.

Unit shall be Emergi-Lite Everlast™ Model no.: \_\_\_\_\_.

Maintained and non-maintained models shall be powered by high efficiency, high frequency ballasts. Emergency mode initial light output shall be at least

## Dimensions



## Ordering Information

Family Type	Unit Type	Emergency Back-up	Voltage/ Lamp Wattage	Body Colour	Mounting Options	Options
EVE= Everlast fixture	NM= non-maintained M= maintained	SP= self-powered 12= 12 volts remote 24= 24 volts remote 36= 36 volts remote 48= 48 volts remote 120= 120 volts remote	1= 120Vac, 27 watts, CFL 2= 277Vac, 27 watts, CFL 3= 347Vac, 27 watts, CFL	W= white B= black G= grey Other colours and finishes available consult factory	Blank surface mount * Recessed mount = recessed mount T-Bar	Auto-diagnostic

EXAMPLE: EVEMSP1WRT

Note: Recessed is NI (Non-Insulated ceiling)  
Non-maintained= normally-off  
Maintained= normally-on