

Project/Location:

---

Contractor:

---

Date:

---

Prepared by:

---

# Lux-Ray™ Series

with white LED  
normally-on option **New!**



## Features

- Low profile, slim lines – measures only 6.6" x 9.5"
- Fully gasketed housing, rugged die-cast body and UV-resistant lens
- Fast and easy installation
- Easy to replace Xenon lamps
- Available as a remote fixture as well.
- Optional dual-mode illumination uses 5-watt LED lamp for normal lighting

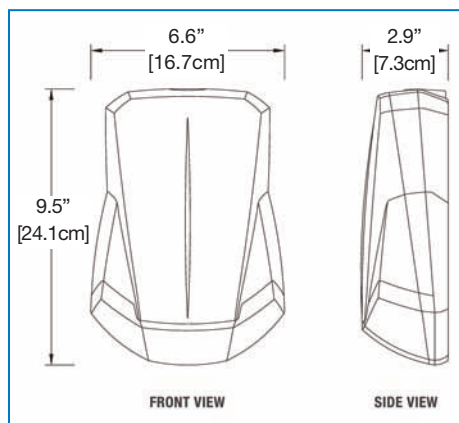


## Wire Guards

460.0082-E Wall Mount

## Photometric Performance

Lamp Wattage	Mounting height	Center-to-Center	
		3' Wide Path	6' Wide Path
2 X 6W	7.5'	28'	19'
	8.5'	25'	18'
2 X 10W	7.5'	30'	28'
	8.5'	34'	30'



## Dual-mode illumination (optional)

Lux-Ray™ units with this feature include a secondary light source, a 5-watt, 50,000-hour LED lamp dedicated to normal lighting. The equipment has two independent circuits, electrically isolated from each other: the standard input for emergency lighting and a secondary input for normal lighting. The secondary input can be connected to a regular AC line that may include an electrical switch.

## Typical Specification

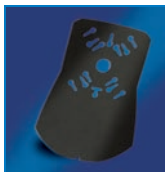
Supply and install the Emergi-Lite Lux-Ray™ Series battery unit. The unit shall be suitable for wall mounting directly on the electrical box, or on the wall surface, using rigid conduit entry at the top of the unit. The unit body shall be made of die-cast Aluminum with painted color: \_\_\_\_\_ and a UV and impact resistant polycarbonate lens. The emergency lights shall be two high-output Xenon lamps hosted by a vacuum-plated die-cast reflector. The unit shall be rated 120/347VAC, 60Hz dual input voltage. The battery charger shall include low voltage disconnect to prevent deep discharge, battery lockout to prevent battery drain prior to energizing the utility power, and brownout protection which will automatically switch unit into emergency mode if the utility power falls below 80% of nominal level.

Models with Lead-Calcium battery shall be equipped with a pulse type charging circuitry and shall provide minimum 90 minutes of emergency lighting. The voltage/current-limiting circuitry will minimize energy consumption and shall be factory set with a charging voltage tolerance of  $\pm 1\%$  to enable a longer battery life. A red LED pilot light shall indicate AC power.

Models with Nickel Metal Hydride batteries shall be equipped with a non-audible self-test and diagnostic circuit and shall provide minimum 60 minutes of emergency lighting. The unit shall self test for one minute every month, 30 minutes every six months and 90 minutes annually. The pilot light shall be a bi-color LED and shall change color from green to flashing red when a failure is detected from the battery, charger circuit or lamps. A label located near the pilot light shall describe the diagnostic for each flashing code.

Models with dual-mode illumination shall include a power LED lamp with a separate electrical input 120/347Vac for connection to a switched AC line. The LED lamp shall consume less than 5 Watts and shall have an operational life of 50,000 hours, until 70% of initial light level.

The unit shall be CSA Certified to C22.2 No.141. The unit shall be Emergi-Lite Model: \_\_\_\_\_.



Easy self-adhesive gasket, must be used in all exterior applications, but comes standard with all units.



Easily accessible, stand alone die-cast back plate with universal knock-out pattern.



Patent pending vacuum metalized die-cast reflector. The multiple conical section reflector was engineered to create a well defined path of egress.



The front cover includes the battery\*, reflector and electronics. The connection is done using an AC quick connect plug.

\* Nickel Metal Hydride: State-of-the art battery technology; Lead-free and Cadmium-free; a greener choice.



LED module with heat sink. (Normal lighting)



Easy to replace Xenon lamps Unlike quartz halogen lamps.

## Power Consumption and Unit Rating

Model	AC Specs			DC Specs	
	AC Voltage	AC Current	AC Power	DC Voltage	DC Runtime
LUX12, LUXH12	120 / 347Vac	0.11 / 0.04 Amp	Less than 10.5W	6V - 12W	Minimum 90 min.
LUXH20	120 / 347Vac	0.11 / 0.04 Amp	Less than 10.5W	6V - 20W	Minimum 60 min.
LUX-2	120 / 347Vac	0.04 Amp	Less than 5W	LED normal lighting	

## Replacement Lamps

Ordering Code	Specifications
570.0213-E	X6W, 6V - 6W Xenon
570.0214-E	X10W, 6V - 10W Xenon

## Ordering Information

Series	Lamp Wattage	Colour*	Option
<b>LUX12</b> = 6V - 12W, lead calcium battery, 90 minutes <b>LUXH12</b> = 6V - 12W, NiMH battery (Nickel Metal Battery) (-20°C to +40°C) comes with UN*, min. 60 minutes <b>LUXH20</b> = 6V - 20W, NiMH battery with UN*, min. 60 minutes	<b>/X6</b> = 6Volts-6Watts <b>/X10</b> = 6Volts-10Watts*  2 Xenon wedge base T3-1/4. *Available with LUXH20 only	<b>OW</b> = off white <b>BK</b> = black <b>BZ</b> = dark bronze <b>PG</b> = platinum grey  * Other colours available on demand. Consult your sales representative.	<b>D3</b> = time delay 15 minutes <b>-2</b> = dual-mode illumination

EXAMPLE: LUX12/X6W-2