

Project/Location: _____

Contractor: _____

Date: _____

Prepared by: _____

EX10-P Series

Metal Combination Unit



Typical Specification

Supply and install the Emergi-lite **EX10-P Series** LED exit sign and power pack series. The exit housing and faceplates shall be constructed of steel. The exit sign shall have a maximum depth of 2-1/2". The faceplate(s) shall come standard with knock out chevrons. The light source for the exit sign shall be light-emitting diodes (LED). The LED lamps shall provide illumination in normal and emergency operation and shall be mounted inside the exit housing, not on the face. Red LEDs shall be of **ALINGAP** technology. An LED-sensitive diffuser shall be mounted behind the legend to provide the 6" high by 3/4" stroke letters with even illumination.

The power pack shall be a completely self-contained emergency unit with its own charger and rechargeable battery. The housing shall be made of steel. The power pack shall include a test switch and high charge pilot light. The equipment shall be designed to furnish exit illumination from the normal AC source. When a power failure occurs the exit sign along with the emergency heads shall illuminate for a minimum of 30 minutes. The power available for emergency lights shall be 28 watts or as otherwise specified.

The heads shall require no tools to adjust and aim. The heads will be of a durable thermoplastic construction and use 6-volt, 9-watt lamps or as otherwise specified.

The exit sign shall be certified CSA-C860.

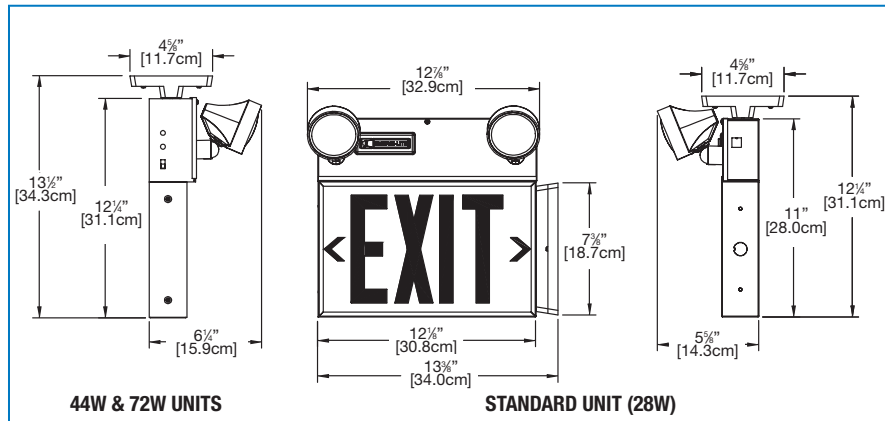
The equipment shall be Emergi-lite model: _____.

Features

- Dual input voltages 120/347Vac
- Comes pre-assembled for quick, easy installation
- Universal mounting – end, wall or ceiling
- Easy access to wiring entry for all mounting options
- Canopy mounting system designed specifically for ease of installation
- Universal, field-selectable chevrons (knockout)
- Energy efficient – complete unit consumes less than 3.5 watts



Dimensions



Wire Guards

460.0078-E	Wall Mount
460.0060-E	Ceiling Mount

Extra Faceplates

005406-E	Factory white faceplate + red diffuser
005407-E	Black faceplate + red diffuser
005408-E	Grey faceplate + red diffuser
005409-E	Factory white faceplate + green diffuser
005410-E	Black faceplate + green diffuser
005411-E	Grey faceplate + green diffuser

Power Consumption and Unit Rating

Model	AC Specs	Wattage Capacity					
		30min	1h00	1h30	2h00	4h00	
EXIT Sign Module	120 / 347Vac	Less than 1.5W	-	-	-	-	-
EX10-P		0.15 / 0.05 Amp	28	16	12	9	-
EX10-P4		0.15 / 0.05 Amp	44	26	18	15	7
EX10-P7		0.15 / 0.05 Amp	72	42	30	24	12

Ordering Information

Series	Colour	Voltage	Powerpack	Options	Number of Heads	Head Style and Wattage
EX10	W = factory white B = black G = grey* * Available with white or black heads.	Blank = 120/347Vac -2 = 120/277Vac	-P = 6V-28W -P4 = 6V-44W -P7 = 6V-72W	Blank = no options D = time delay TP = tamper proof screws G = green letters 990.0119-E = tamper proof bit* NEX = NEXUS® system interface** *One bit per order. **Consult your sales representative for options available with the NEXUS® system.	/0 = no heads /1 = one head /2 = two heads	M = mini tungsten, 9W MQ = mini halogen, 8W MQ12 = mini halogen, 12W MI = mini MR16, 6W (6V only) MJ = mini MR16, 10W (6V only) *Other styles available. Consult your sales representative

EXAMPLE: EX10W-P3/2MQ12