



WonderPack Series

LPEX202-WP50/2M

High Impact, Thermoplastic
Adjustable Heads Combination Unit

Project/Location:
Contractor:
Date:
Prepared by:

Features

- Injection-molded thermoplastic housing
- Comes complete with 2 face plates, 1 back plate, and 1 canopy
- Replaceable knockout directional chevrons
- Two adjustable glare free light heads
- Uses halogen MR16 lamps with front glass cover
- Field adjustable heads
- 36W remote capability (Standard with 2 x 5.4W MR16 heads)



Typical Specification

The Contractor will install the Emergi-lite **LPEX202-WP50/2M Combo**. The **LPEX202-WP50/2M Combo** shall be suitable for wall end or ceiling mount.

The face shall be constructed of a durable high impact thermoplastic. No screws are necessary to hold the face plate or canopy to the housing. The face plates shall come standard with snap out chevrons. The frame shall be constructed of a one-piece thermoplastic mold and comes completely standard white. This combo shall be universal 120/347 AC input and comply to C860-01. The combo unit will come complete with 2 adjustable Eyeball, glare free MR16 lamps and front glass cover and remain illuminated in emergency mode for a period of 30 minutes.

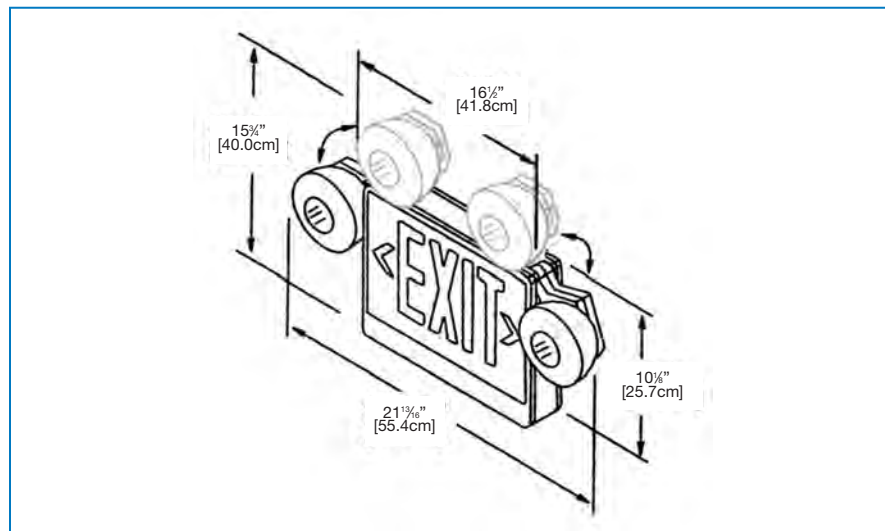
The combo unit shall be certified CSA-C860.

The combo unit shall be Emergi-lite model: _____.

Wire Guards

460.0034-E	Wall Mount
------------	------------

Dimensions



Power Consumption and Unit Rating

Model	AC Specs		Wattage Capacity				
			30min	1h00	1h30	2h00	4h00
LPEX202	120 to 347Vac	0.10 / 0.04 Amp	50	30	20	16	-

Ordering Information

Series	Capacity	Voltage	Number of Lamps and Type	Options
LPEX202 = LED plastic universal exit sign	WP50 = 6V - 50W	Blank = 120/347Vac	/2M = two 5 watts MR16 lamps (standard)	Blank = no options 10 = two 10 watts MR16 lamps

EXAMPLE: LPEX202WP50/2M10