

Project/Location: _____

Contractor: _____

Date: _____

Prepared by: _____

Suspension Kit

for Exit Signage

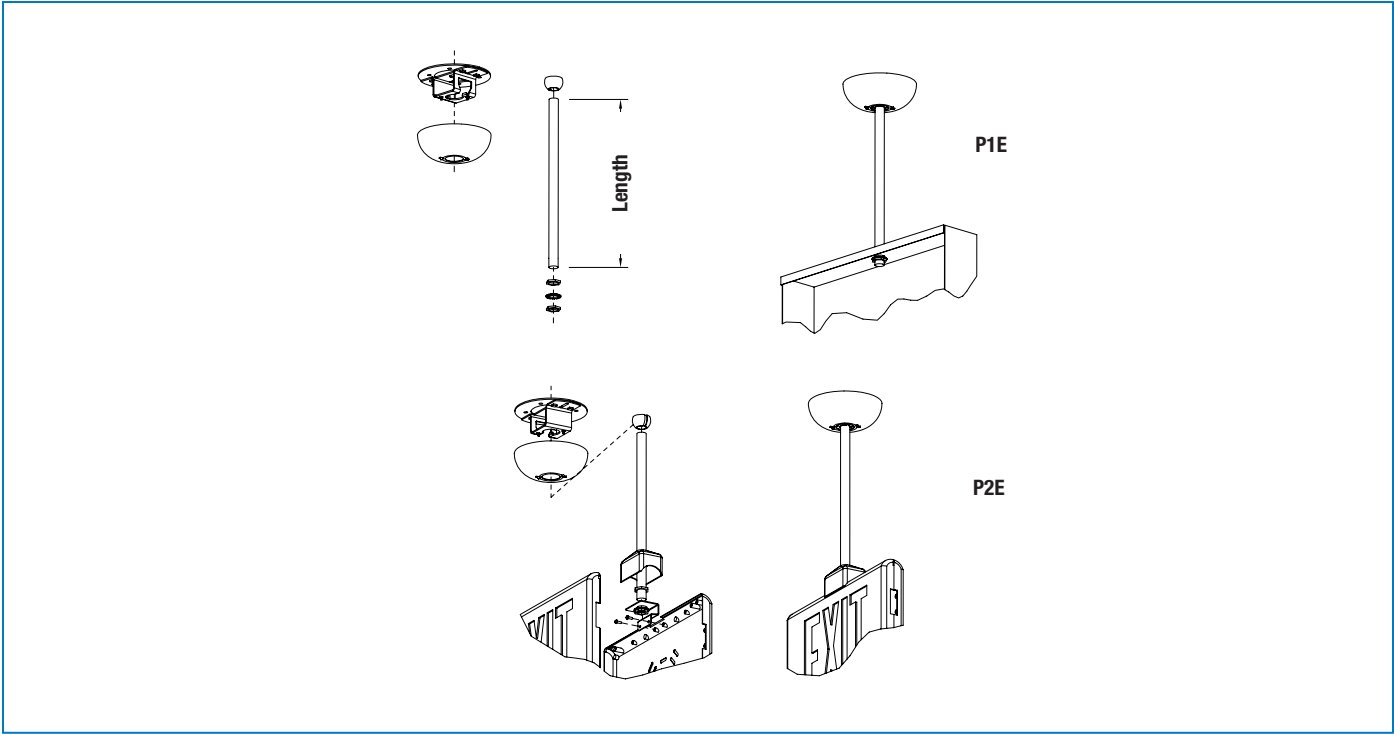
Typical Specification

Offered in a variety of colors and lengths, Emergi-Lite suspension kits are designed to facilitate the installation of exit signs at regular mounting heights.

Compatible with both horizontal and sloped ceilings, this suspension kit is truly universal and will adapt to any application.

Please consult your sales representative.

Dimensions



Ordering Information

| Series | Length (in) | Colour |
|--|---------------------|---|
| P1E | 6 12 18 24 | W = white B = black SG = silver grey |
| *P2E | 6 12 18 24 | |
| *Prestige Series Only. Other lengths available on demand. Please consult your sales representative | | |