



C8ES10 Series

Bilingual Steel Exit Sign

Project/Location: _____

Contractor: _____

Date: _____

Prepared by: _____

Features

- Single illumination module lights both single and double face exit signs
- Highly energy efficient – consumes a maximum of 3.5 watts in AC or DC mode
- Normal AC and emergency DC operation – 120 to 347 volts AC input; 6 to 24 volts DC input



Typical Specification

Supply and install the Emergi-lite bilingual **C8ES10 Series** LED exit sign. The equipment shall operate with universal AC input voltage of 120 to 347Vac at less than 3 watts and universal two-wire DC input voltage from 6Vdc to 24Vdc at less than 3.5 watts for single and double face signs. The frame shall be of a one-piece steel construction and have a maximum depth of 2-1/8". The faceplate(s) shall be steel and come standard with knockout chevrons. The equipment shall have two (2) canopies that shall fasten for installation in ceiling-mount applications. The light source shall be light emitting diodes (LED). The LED lamps shall provide illumination in normal and emergency operation and shall be mounted inside the exit housing, not on the face. Red LED technology shall be **ALINGAP**. An LED-sensitive diffuser shall be mounted behind the legend to provide the 6" high by 3/4" stroke letters with even illumination.

The exit sign in a self-powered configuration shall stay illuminated during emergency operation for at least 60 minutes upon AC failure.

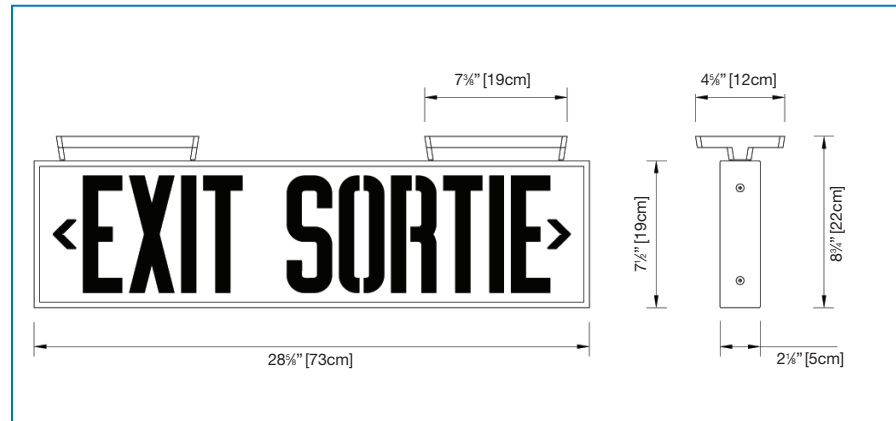
The exit sign shall be certified CSA-C860.

The exit sign shall be Emergi-lite model: _____.

Wire Guards

460.0059-E	Wall Mount
460.0092-E	Ceiling Mount

Dimensions



Power Consumption

Model	AC Specs		DC Specs	
	AC/standard DC, red	120 / 277 / 347Vac	Less than 3 W	6 to 24Vdc
AC/special DC, red	120 / 277 / 347Vac	Less than 5	36 or 48 or 120Vdc	Less than 5W
Self-powered, red	120 to 347Vac	Less than 5.5 W	NiCad battery	Min. 60 or 120 minutes

Ordering Information

Series	Lettering	Faces	Colour	Power Source and Voltage	Options
C8= LED C860 approved	ES= EXIT SORTIE 6" letters SE= SORTIE EXIT 6" letters	12= single face 13= double face	W= factory white G= grey B= black	-U= 120 to 347vac, 6 to 24 vdc -EM120-2M= 120vac 120vdc 2 wires -U36= 120/277/347vac - 36vdc -U48= 120/277/347vac - 48vdc -U120= 120/277/347vac - 120vdc -I= 120 to 347vac, self-powered -I2= 120 to 347vac, 120 minutes	-TP= tamper proof screws -VRTP= polycarbonate shield with tamper proof screws -3C= 3 canopies Blank= 2 canopies supplied 990.0119-E= tamper proof bit*

EXAMPLE: C8ES12W-U-VRTP