

Project/Location:
Contractor:
Date:
Prepared by:

# C8ES300 Series

## Bilingual Extruded Aluminum Exit Sign



### Typical Specification

Supply and install the Emergi-lite **C8ES300 Series** LED exit sign. The equipment shall operate with universal AC input voltage of 120, 277 or 347Vac at less than 1.5 watts and universal two-wire DC input voltage from 6Vdc to 24Vdc at less than 2.5 watts for single and double face signs. The exit sign shall consist of a two-piece white extruded aluminum combined body/faceplate with a maximum depth of 1 1/4". The exit shall also include extruded aluminum end caps with white gas-kets in order to provide protection to the internal components and eliminate any possible light leaks. The exit fixture shall be either single or double-faced as shown on the drawings. The faceplate shall be of a stencil design and will have 6" high letters with a 3/4" stroke indicating both EXIT and SORTIE side by side. The canopy shall fasten to the exit body for ease of installation in either ceiling or wall mount. The fixture shall contain a light source, which shall be LED with a long life and shall consist of separate AC and DC LED sources in the case of AC/DC-remote equipment. Red LED technology shall be **ALINGAP**.

The exit sign in a self-powered configuration shall be equipped with a Nickel-Cadmium battery and shall stay illuminated during emergency operation for at least two hours upon AC failure.

The exit sign shall be certified CSA-C860.

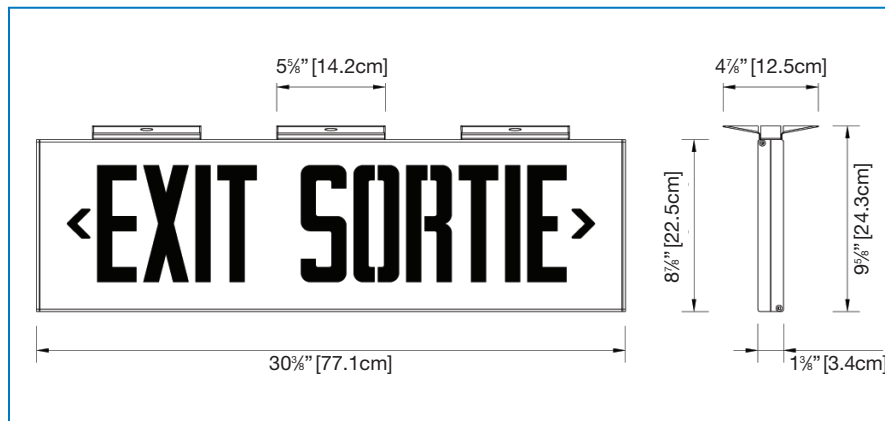
The exit sign shall be Emergi-lite model: \_\_\_\_\_.

### Features

- Thin profile, 2-piece extruded aluminum housing simply slides together
- Pre-specified mounting
- Universal, field-selectable chevrons (knockout)
- Energy efficient – consumes less than 7 watts in AC or DC mode
- Normal AC and emergency DC operation  
120, 277 or 347 volts AC input; 6 to 24 volts DC input



### Dimensions



### Wire Guards

460.0059-E	Wall Mount
460.0092-E	Ceiling Mount

### Power Consumption

Model	AC Specs		DC Specs	
AC/DC standard, red	120 / 347Vac	Less than 2W	6 to 48Vdc	Less than 3W
AC/ special DC, red	120 / 277 / 347Vac	Less than 2W	36 or 48 or 120Vdc	Less than 6W
120 Vac/dc two wires, red	120Vac	Less than 6W	120 Vdc	Min. 6W
Self-powered, red	120 or 347 Vac*	Less than 7W	NiCad battery	Min. 2 hours

\*AC/DC input voltage to be specified. For other values, please contact the factory.

### Ordering Information

Series	Faceplates	Colour	Mounting	Voltage	Options
<b>C8ES30=</b> EXIT SORTIE <b>C8SE30=</b> SORTIE EXIT	<b>2=</b> single face <b>3=</b> double face	<b>W=</b> polar white <b>B=</b> black <b>TA=</b> textured aluminum	<b>-CM=</b> ceiling mount <b>-WM=</b> wall mount	<b>-U=</b> 120/277/347Vac, 6to 24vdc <b>-U36=</b> 120/277/347vac-36vdc <b>-U48=</b> 120/277/347Vac-48vdc <b>-U120=</b> 120/277/347/Vac-120vdc <b>-I=</b> 120vac, self-powered <b>-3I=</b> 347vac, self-powered <b>-EM120-2W=</b> 120vac-120vdc-2 wire	<b>-TP=</b> tamper proof screws <b>990.0119-E=</b> tamper proof bit*  *One bit per order

EXAMPLE: C8ES302W-CM-UTP