



# C8ES35 Series

## Bilingual Edge-Lit Exit Sign

Project/Location: \_\_\_\_\_

Contractor: \_\_\_\_\_

Date: \_\_\_\_\_

Prepared by: \_\_\_\_\_

### Features

- Universal back box designed for surface or semi-recessed mounting on ceilings or walls
- Modular retainer clips allow “snap-in” installation of face panel after installation of back box
- LED edge-lit, extruded acrylic face panels with precision-etched lettering
- LED strip design allows for rotation for either ceiling or wall mounting
- Energy efficient – consumes less than 9 watts in AC or DC mode



### Typical Specification

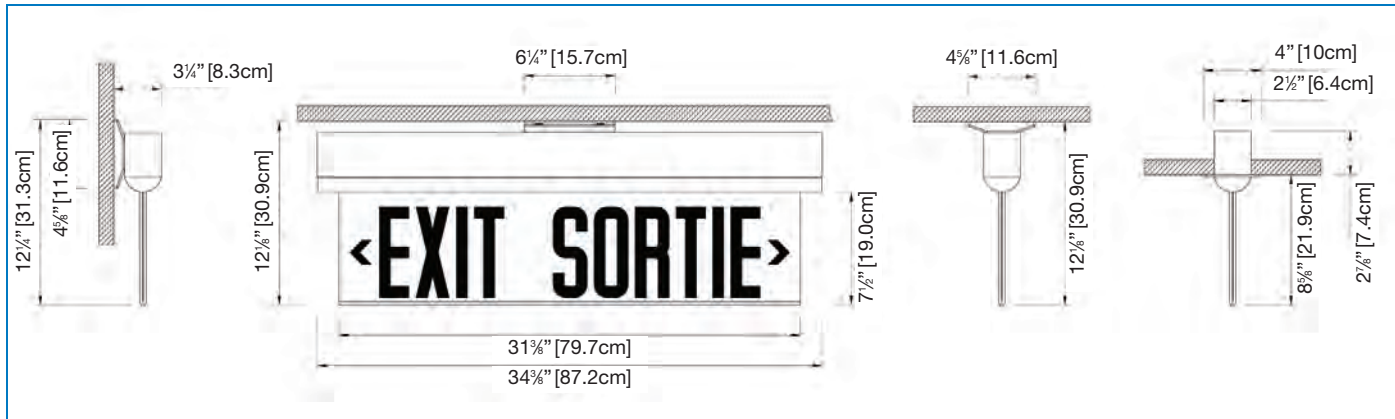
Supply and install the Emergi-lite **C8ES35 Series** LED Edge-Lit sign. The equipment shall operate with universal two-wire AC input voltage from 120Vac to 347Vac at less than 8.6 watts and universal 2-wires DC input voltage from 6Vdc to 48Vdc at less than 4.5 watts for single and double face signs. The housing assembly shall be fabricated of aluminum and consist of a universal aluminum back box with a factory white finish. The back box shall be provided with conduit knockouts on top and back. The trim plate shall have a round shape and shall attach to the housing assembly with two (2) torsion spring retainers thereby eliminating all visible hardware. The LED light strip shall be contained within the trim plate. Red LED technology shall be **ALINGAP**. The polished acrylic face panel shall have precision-etched 6” high and 3/4” stroke red letters with a white, clear or mirror background, with the words EXIT and SORTIE side by side. For recessed mount, please contact your regional sales office.

The exit sign in a self-powered configuration shall stay illuminated during emergency operation for at least 30 minutes upon AC failure.

The exit sign shall be certified CSA-C860.

The exit sign shall be Emergi-lite model: \_\_\_\_\_.

### Dimensions



### Power Consumption

Model	AC Specs		DC Specs	
AC/DC red	120 to 347Vac	Less than 8.6W	6 to 48Vdc	Less than 4.5W
AC/DC green	120 to 347Vac	Less than 8.6W	NiCad battery	Min. 60 minutes

### Ordering Information

Series	Faces	Housing Colour	Power Source	Faceplate Colour	Chevrons
<b>C8ES</b> = EXIT SORTIE <b>C8SE</b> = SORTIE EXIT	<b>36</b> = single face <b>37</b> = double face <b>36R</b> = recessed, single face <b>37R</b> = recessed, double face	<b>W</b> = factory white <b>BA</b> = brushed aluminum <b>B</b> = black	<b>-U</b> = universal <b>-I</b> = self-powered	<b>-RC</b> = red/clear* <b>-RW</b> = red/white <b>-RM</b> = red/mirror	<b>Blank</b> = no chevrons <b>-AL</b> = chevron left <b>-AR</b> = chevron right <b>-DA</b> = double chevrons <b>-A</b> = one chevron each side, double face
				*Not available on double face.	

EXAMPLE: C8ES36W-I-RC