



# C8ESPK Series

NEMA-3R Certified  
Bilingual Exit Sign

Project/Location:
Contractor:
Date:
Prepared by:

## Features

- Certified NEMA-3R
- Gasketed fiberglass housing designed specifically for industrial applications
- Grey finish
- Sealed, vandal-resistant polycarbonate faceplate
- Wall or ceiling mounting; wall or ceiling brackets available for easy installation
- Normal AC and emergency DC operation – 120 to 347 volts AC input; 6 to 24 DC input



## Typical Specification

Supply and install Emergi-Lite **C8ESPK** Bilingual LED exit sign. The equipment shall operate with universal two-wire AC input voltage from 120Vac to 347Vac a less than 3 watts per face and universal two-wire DC input voltage from 6Vdc to 24Vdc at less than 3 watts per face. The housing shall be of gray fiberglass, gasketed, specially designed for industrial environment. The sealed front cover shall be constructed of heavy-duty vandal-resistant transparent polycarbonate of 4mm thickness and shall be bent around the back box for increased rigidity. The front cover will feature an even illuminated legend with the text "EXIT" and "SORTIE" positioned one on top of the other. The light source shall be the new **ALINGAP** technology red LED. The equipment shall be suitable for wall or ceiling mount and be designed specifically for high abuse areas, wet locations, dust and oil-tight applications. The equipment in a self-powered configuration shall stay illuminated during emergency operation for at least 60 minutes upon AC failure.

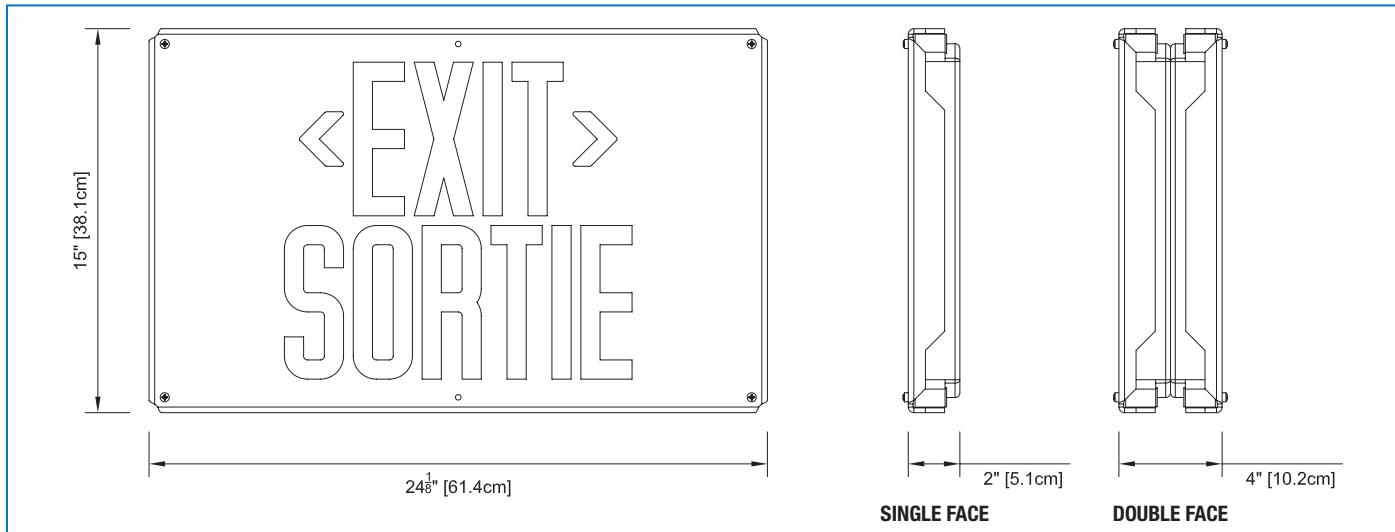
The equipment shall be NEMA-3P and certified C-860.

The equipment shall be Emergi-Lite model: \_\_\_\_\_.

## Wire Guards

460.0103-L	Wall Mount
460.0104-L	Ceiling Mount

## Dimensions



## Power Consumption

Model	AC Specs		DC Specs	
AC/DC, red	120 to 347Vac	Less than 3W	6 to 24Vdc	Less than 3W
Self-powered, red	120 to 347Vac	Less than 6W	NiCad battery	Min. 90 minutes

Note: Double-face models have double the power consumption above.

## Ordering Information

Series	Power Source and Voltage
<b>C8ESPK1</b> = single face EXIT over SORTIE <b>C8SEPK1</b> = single face SORTIE over EXIT <b>C8ESPK2</b> = double face EXIT over SORTIE <b>C8SEPK2</b> = double face SORTIE over EXIT	<b>-U</b> = 120 to 347 Vac, 6 to 24Vdc <b>-I</b> = self-powered 120 to 347 Vac

EXAMPLE: C8ESPK1-U