

Project/Location:

Contractor:

Date:

Prepared by:

Suspension Kit

for Exit Signage

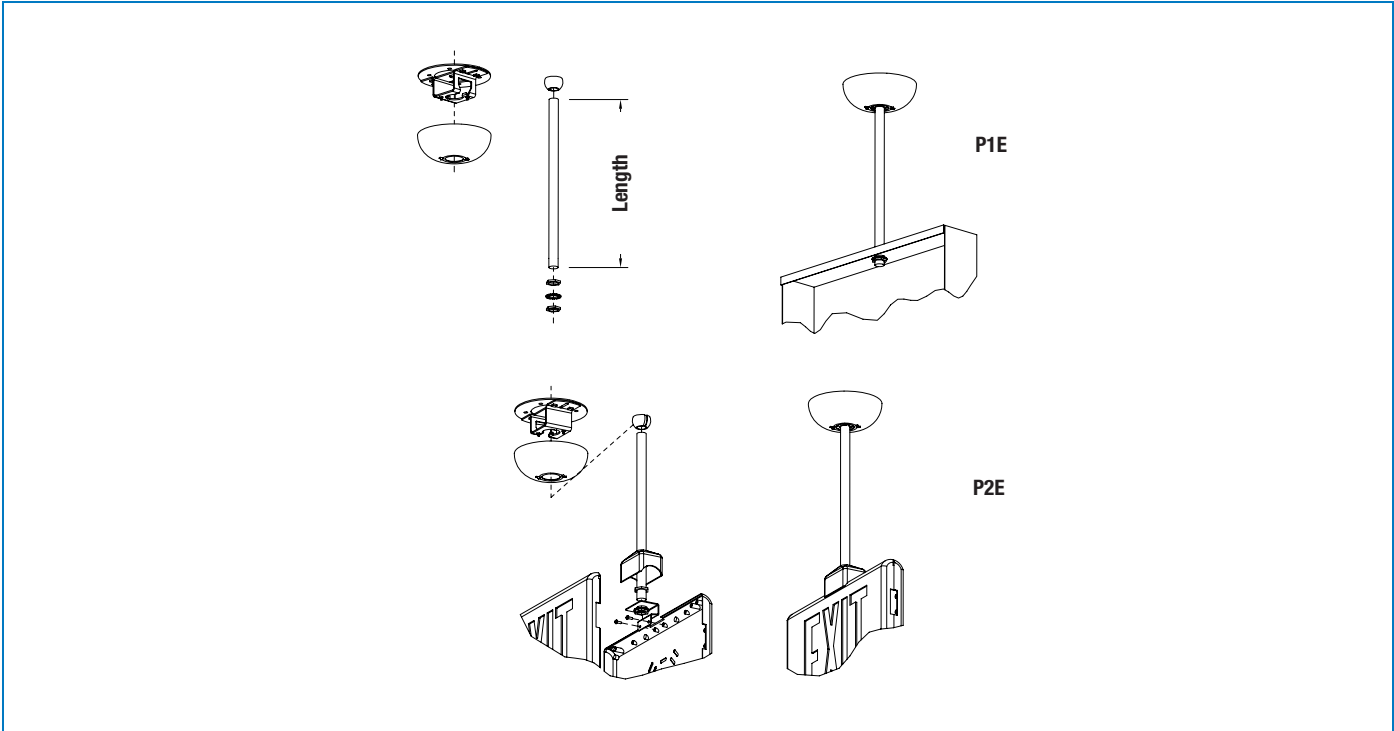
Typical Specification

Offered in a variety of colors and lengths, Emergi-Lite suspension kits are designed to facilitate the installation of exit signs at regular mounting heights.

Compatible with both horizontal and sloped ceilings, this suspension kit is truly universal and will adapt to any application.

Please consult your sales representative.

Dimensions



Ordering Information

Series	Length (in)	Colour
P1E	-	W = white B = black SG = silver grey
*P2E	6 12 18 24 Other lengths available on demand. Please consult your sales representative	

*Prestige Series Only.