

Distinction™ Series

Surface Designer Series



Safety and security have never looked so good

The **Distinction™ Series** emergency fixtures have been specially built to meet the needs of contemporary decor professionals. Take a look at these fixtures and discover for yourself an entirely new design vocabulary of emergency lighting function and form.

Features

- Contemporary, enduring designs
- Remote head: 1, 2 or 3 head configurations
- A selection of attractive styles and shades
- Highly-resistant powder-coated, die cast aluminum construction
- Ultra energy efficient and light-intensive MR16 quartz halogen lamps
- 6W, 10W, 12W, 20W, 35W, and 50W availability
- Narrow beam light source





Project/Location:

Date:

Contractor:

Prepared by:

Distinction™ Series

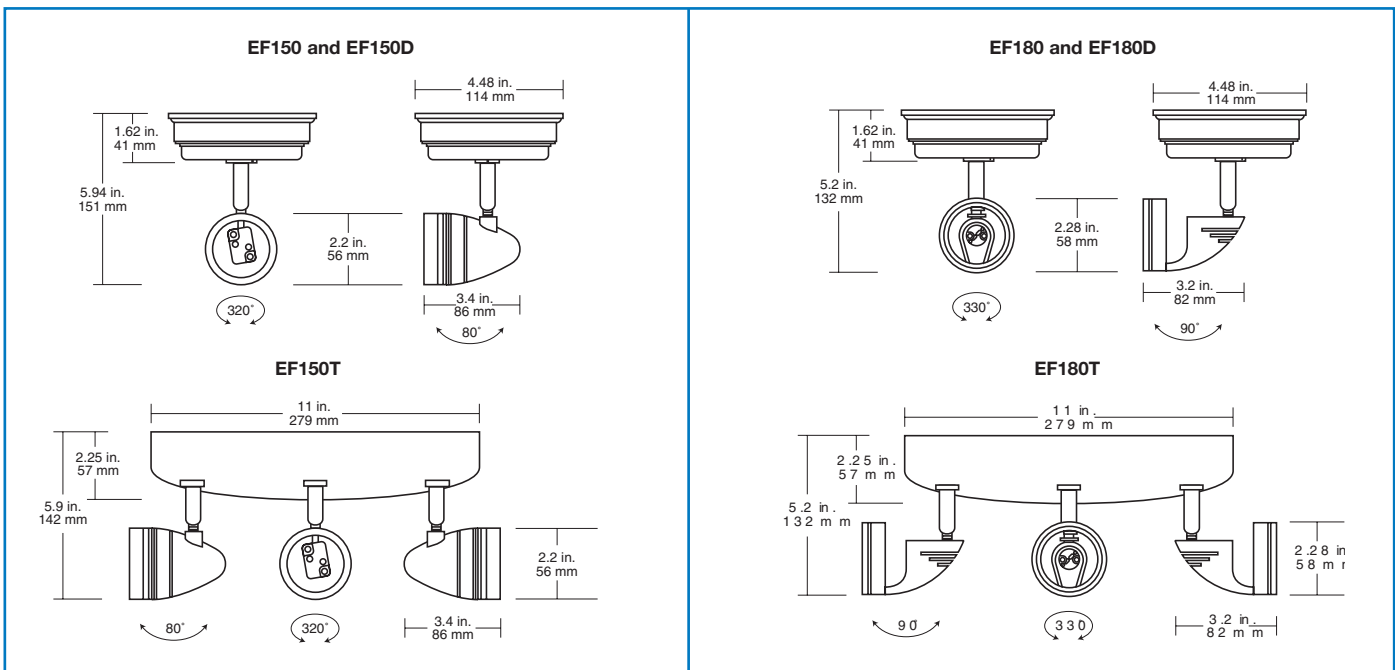


Typical Specification

The contractor will supply and install Emergi-lite **Distinction™ Series** Model - _____ remote heads. These remote heads will consist of either single, double or triple head configurations according to the design. Remote heads will be constructed of a durable powder coated, die cast aluminum construction and use MR16 halogen light sources.

The light source will be ____ volts, ____ watts MR16 halogen narrow beam or otherwise specified. The remote lighting fixtures will provide illumination in emergency operation and receive their DC power according to the load provided by Emergi-lite battery unit Model - _____. The duration of the DC back up will be _____ minutes according to the building code having jurisdiction in the geographical location in which the remote heads will be installed.

Dimensions



Ordering Information

Series	# of Heads	Colour	Voltage/Wattage
EF150= closed	Blank= single head	Blank= white	MI= 6V - 6 watts, MR16
EF180= open with blue ring	D= double head	-B= black	MJ= 6V - 10 watts, MR16
EF181= open with white ring	T= triple head		MK= 12V - 12 watts, MR16
			MA= 12V - 20 watts, MR16
			MB= 12V - 35 watts, MR16
			MC= 12V - 50 watts, MR16
			MD= 24V - 20 watts, MR16
			ME= 24V - 35 watts, MR16
			MF= 24V - 50 watts, MR16

EXAMPLE: EF150MD