

Project/Location: \_\_\_\_\_

Contractor: \_\_\_\_\_

Date: \_\_\_\_\_

Prepared by: \_\_\_\_\_

# Distinction Series

## Surface Designer Series



### Typical Specification

The contractor will supply and install Emergi-Lite **Distinction Series** remote heads. These remote heads will consist of either single, double or triple head configurations according to the design. Remote heads will be constructed of a durable powder coated, die cast aluminum construction and use MR16 halogen light sources.

The remote fixtures shall be certified to CSA C22.2 No.250.

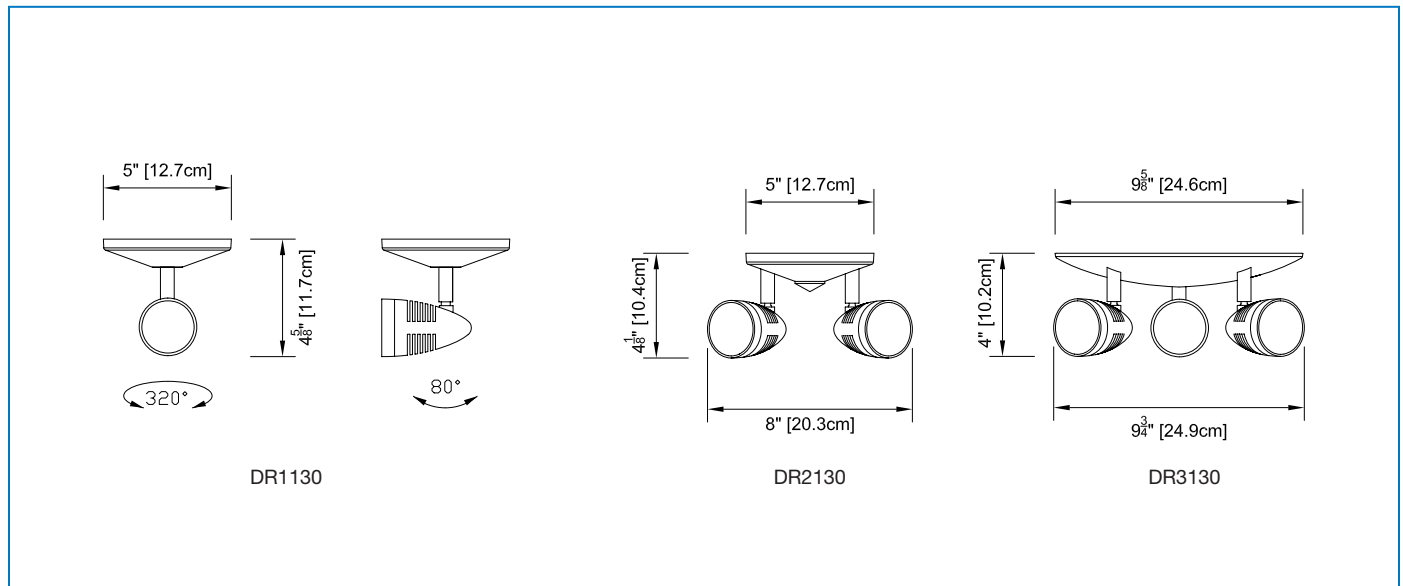
The unit shall be Emergi-Lite model: \_\_\_\_\_.

### Features

- Contemporary, enduring designs
- Remote head: 1, 2 or 3 head configurations
- Highly-resistant powder-coated, die cast aluminum construction
- 6W, 10W, 12W, 20W, 35W, and 50W availability
- Narrow beam MR16 light source



### Dimensions



### Wire Guards

|            |                                   |
|------------|-----------------------------------|
| 460.0029-E | Wall Mount (EF150/EF180/EF181)    |
| 460.0032-E | Wall Mount (EF150D/EF180D/EF181D) |
| 460.0078-E | Wall Mount (EF150T/EF180T/EF181T) |

### Replacement Lamps

| Model      | Lamp Type  | Voltage-Wattage |
|------------|------------|-----------------|
| 570.0074-E | MR16-Flood | 6V - 6W         |
| 580.0080-E |            | 12V - 12W       |
| 580.0077-E |            | 24V - 20W       |

See the complete list page 91

### Ordering Information

| Series        | # of Heads   | Colour                    | Voltage and Wattage  |
|---------------|--|---------------------------|--|
| EF150= closed | Blank= single head<br>D= double head<br>T= triple head | Blank= white<br>-B= black | -6V6W= 6V - 6 watts, MR16<br>-6V10W= 6V - 10 watts, MR16<br>-12V12W= 12V - 12 watts, MR16<br>-12V20W= 12V - 20 watts, MR16<br>-12V35W= 12V - 35 watts, MR16<br>-12V50W= 12V - 50 watts, MR16<br>-24V12W= 24V - 12 watts, MR16<br>-24V20W= 24V - 20 watts, MR16<br>-24V35W= 24V - 35 watts, MR16<br>-24V50W= 24V - 50 watts, MR16 |

EXAMPLE: EF150MD