

Project/Location:
Contractor:
Date:
Prepared by:

EF40 Series

Remote Fixture



Typical Specification

Supply and install Emergi-Lite **EF40 series** remote emergency lighting. These remote fixtures will consist of either single or double lamp configurations according to the design and include a die cast aluminum back plate and a clear heavy-duty UV resistant polycarbonate light cover.

The remote fixture shall be certified to CSA C22.2 No.250.

The head(s) shall be fully adjustable and be equipped with MR16 halogen lamp(s).

The unit shall be Emergi-Lite model: _____.

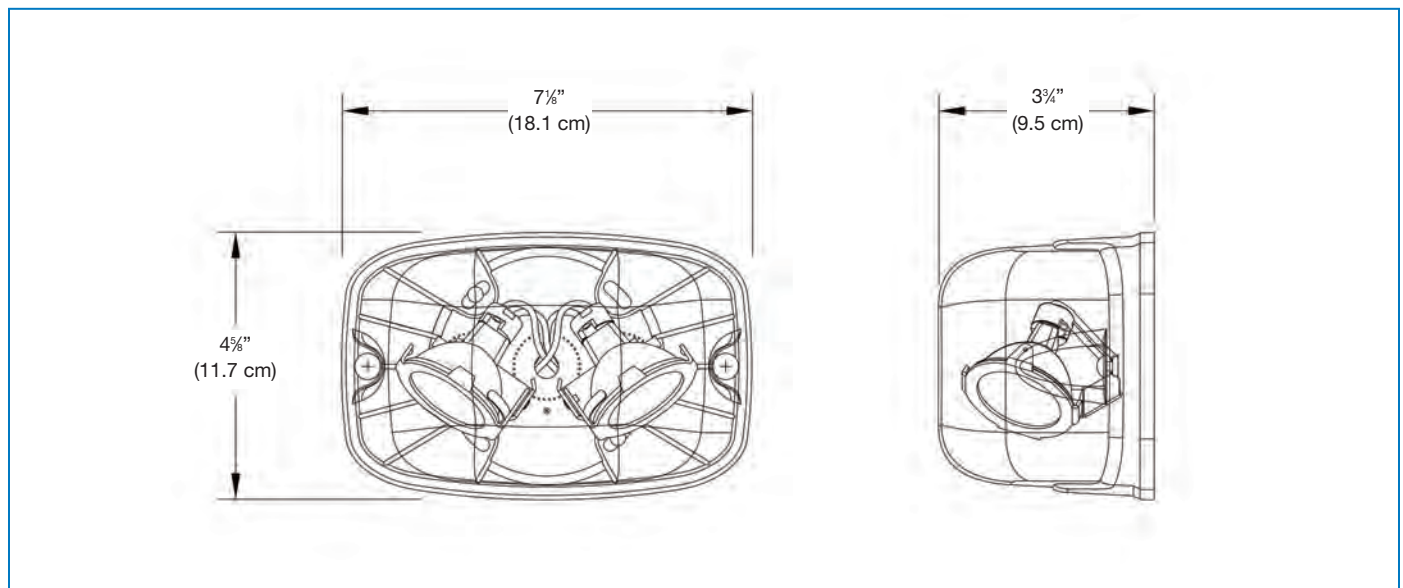
Features

- Quality illumination requires fewer fixtures
- Shielded to prevent tampering
- Easy installation
- Easy Lamp replacement

For interior use only.
Please refer to EF39 Series for exterior use.



Dimensions



Replacement Lamps

Model	Lamp Type	Voltage-Wattage
580.0079-E	MR16-Flood	6V - 10W
580.0080-E		12V - 12W
580.0077-E		24V - 20W

See the complete list page 91

Ordering Information

Series	Number of lamps	Colour	Voltage and Wattage
EF40M	Blank = one lamp D = two lamps	Blank = factory white B = black G = grey	-6V6W = 6V-6 watts, MR 16 -6V10W = 6V-10 watts, MR16 -12V12W = 12V-12 watts, MR16 -12V20W = 12V-20 watts, MR16 -24V12W = 24V-20 watts, MR16 -24V20W = 24V-20 watts MR16 -L = 12V-5 watts, LED

EXAMPLE: EF40DM-6V10W