



Retract-a-Lite Series

Project/Location: _____

Contractor: _____

Date: _____

Prepared by: _____

Features

- Remote only visible upon power failure
- Front can be painted or wall papered on-site to match existing decor
- Also available as a battery unit; see Battery Units section of this catalogue



Typical Specification

Supply and install an **Emergi-Lite Series Retract-a-Lite** fixture as specified and as shown on the drawings.

The DC-remote unit shall not require the presence of AC power in order to close the door and conceal the lights. The back box shall be constructed of heavy-duty galvanized steel and be supplied with two (2) MR16 lamps as specified and a mounting bracket for final assembly.

The unit equipment shall be completely concealed in the wall or ceiling during normal power conditions. Upon a power failure the unit will expose the emergency heads by rotating its door 180° and then power the lamps. At the restoration of the AC power or at the end of the battery discharge, the lamps will turn off and the unit will retract the heads in the wall (ceiling) by rotating the door by 180°. Under normal conditions, the only visible parts of the unit shall be the flat door and trim plate, coated with an off-white finish that can be customized on site with paint or other suitable wall covering. The light source shall be 12V or 24V MR16 halogen lamps of specified wattage and light output.

The remote fixture shall be certified to CSA C22.2 No.250

The unit shall be Emergi-Lite model: _____.

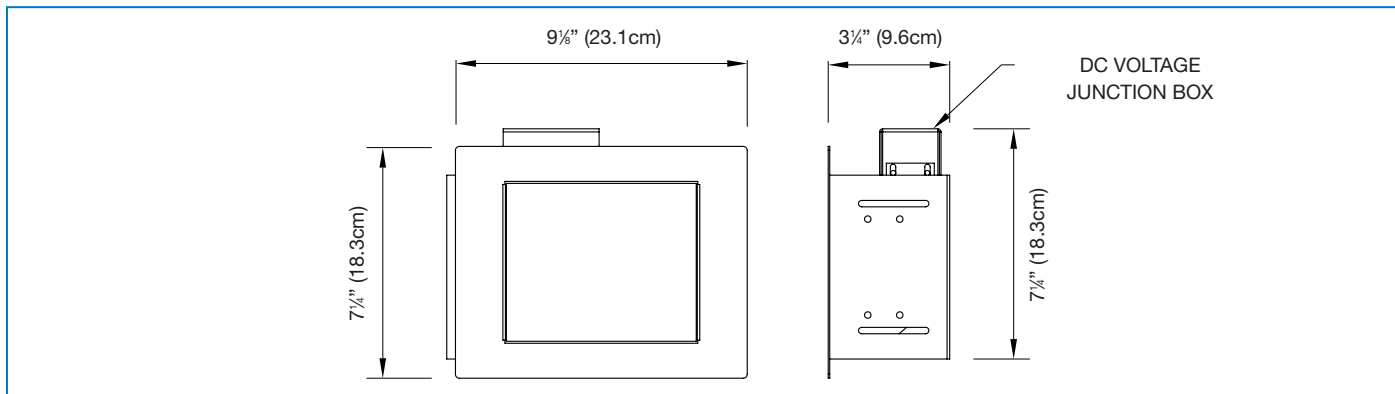
Replacement Lamps

Model	Lamp Type	Voltage-Wattage
580.0080-E	MR16 12W Flood	12V-12W
580.0064-E	MR16 20W Flood	12V-20W
580.0083-E	MR16 35W Flood	12V-35W
580.0076-E	MR16 50W Flood	12V-50W
580.0068-E	MR16 IR* 20W Flood	12V-20W
580.0090-E	MR16 IR* 35W Flood	12V-35W
580.0089-E	MR16 IR* 50W Flood	12V-50W
580.0084-E	MR16	24V-35W
580.0070-E	MR16	24V-12W
580.0077-E	MR16	24V-20W
580.0078-E	MR16	24V-50W

*High-output (H).

See the complete list page 91

Dimensions



The opening of the wall/ceiling mounted remote head is 5 3/4" (14.6cm) x 8" (20.3cm). Dimensions are approximate and subject to modifications.

Ordering Information

Series	Wattage for each of the 2 lamps	Options
12RTL = 12 volts DC remote 24RTL = 24 volts DC remote 120/347Vac standard.	-12 = 2x 12 watts, MR16 -20 = 2x 20 watts, MR16 -35 = 2x 35 watts, MR16 -50 = 2x 50 watts, MR16 -20H = 2x 20 watts, MR16, High lumen output -35H = 2x 35 watts, MR16, High lumen output -50H = 2x 50 watts, MR16, High lumen output	TB = T-bar mounting kit

EXAMPLE: 12RTL-20TB