

Project/Location: _____

Contractor: _____

Date: _____

Prepared by: _____

Weatherproof Series

Remote Emergency Lighting Fixtures

EF11 Series – Features

- Available in single, double or triple head fixtures
- Durable thermoplastic construction suitable for industrial or high abuse areas
- Tool-less adjustment and aiming of lamp heads
- Certified CSA C22.2 No.250



Wire Guards

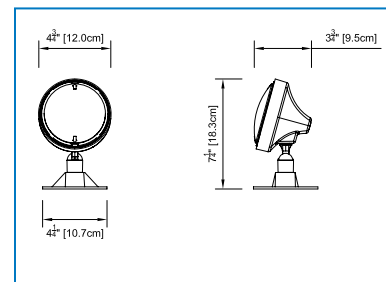
460.0035-E	Wall Mount (EF11)
460.0082-E	Wall Mount (EF11D)

Replacement Lamps

Model	Lamp Type	Voltage-Wattage
570.0016-E	Tungsten	6V - 9W
570.0025-E		12V - 9W
570.0079-E		24V - 9W

See the complete list page 91

Dimensions



Ordering Information

Series	Lamp Style	Colour	Voltage and Wattage	Options
EF11= single, par 36 EF11D= double, par 36 EF11T= triple, par 36	Blank= tungsten Q= halogen	Blank= black W= factory white	-6V9W= 6V - 9 watts, tungsten, wedge base -6V __ W= 6V - 18 or 25 watts, tungsten, D.C.B. -12V __ W= 12V - 9 or 18 watts, tungsten, wedge base -12V25W= 12V - 25 watts, tungsten, D.C.B. -24V __ W= 24V - 9 or 18 watts, tungsten, wedge base -24V25W= 24V - 25 watts, tungsten, D.C.B. -6V __ W= 6V - 8, 12, or 20 watts, halogen, quartz bi-pin -12V __ W= 12V - 8, 12, 20 or 55 watts, halogen, quartz bi-pin -24V __ W= 24V - 20 watts, halogen, quartz bi-pin -6V __ W= 6V - 9, 12, 18 or 25 watts, tungsten, sealed beam -12V __ W= 12V - 12, 18 or 25 watts, tungsten, sealed beam -6V __ W= 6V - 8 or 12 watts, halogen, quartz sealed beam -12V __ W= 12V - 8, 12 or 37 watts halogen, quartz sealed beam -32V __ W= 32V - 18 or 25 watts, tungsten, D.C.B. -120V __ W= 120V - 10, 15 or 30 watts, tungsten, D.C.B. *NOTE: " __ " = insert wattage required	FP= teflon coated lens

EXAMPLE: EF11Q-12V12W

EF30 Series – Features

- Sealed beam, surface-mounted, rubber coated industrial remote fixture
- For use in high pressure hose down areas
- Available only in black
- Certified CSA C22.2 No.250

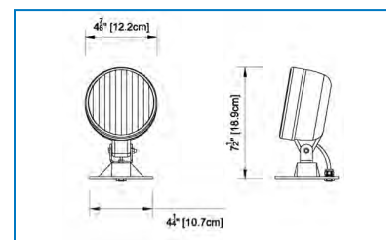


Replacement Lamps

Model	Lamp Type	Voltage-Wattage
550.0026-E	Tungsten	12V - 12W
550.0027-E		12V - 18W
550.0023-E		12V - 25W

See the complete list page 91

Dimensions



Ordering Information

Series	Lamp Style	Voltage and Wattage	Options
EF30= single par 36 EF30D= double, par 36 EF30T= triple, par 36	S= sealed beam H= quartz sealed beam	-6V __ W= 6V - 9, 12, 18 or 25 watts, tungsten, sealed beam -12V __ W= 12V - 12, 18 or 25 watts, tungsten, sealed beam -6V __ W= 6V - 8, 12 or 20 watts, halogen, quartz sealed beam -12V __ W= 12V - 8, 12 or 37 watts halogen, quartz sealed beam *NOTE: " __ " = insert wattage required.	FP= teflon coated lens

EXAMPLE: EF30S-6V9W

EF28 Series – Features

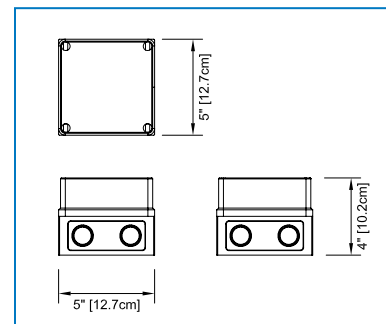
- NEMA-4X listed, surface-mounted, square industrial remote fixture
- Available with tungsten or quartz lamps in single or double head configurations
- Gray fiberglass base and clear polycarbonate lens
- Certified CSA C22.2 No.250



Ordering Information

Series	Lamp Style	Lamp Type, Voltage and Wattage
EF28= single EF28D= double	Blank= tungsten Q= halogen	-6V9W= 6V - 9 watts, tungsten, wedge base -12V __ W= 12V - 9 or 18 watts, tungsten, wedge base -24V __ W= 24V - 9 or 18 watts, tungsten, wedge base -6V __ W= 6V - 8, 12, or 20 watts, halogen, quartz bi-pin -12V __ W= 12V - 8, 12, or 20 watts, halogen, quartz bi-pin -24V20W= 24V - 20 watts, halogen, quartz bi-pin *NOTE: " __ " = insert wattage required.

Dimensions



EXAMPLE: EF28Q-12V12W