

Remote Units

Remote Units in a few words..... 74



Lux-Ray Series..... 78



EF40 Series..... 79
Remote Fixture



Retract-a-Lite Series..... 80



Mini Retract-a-Lite Series..... 81
Fully Concealed, Easy to Retrofit



EF9/EF9Q/EF9M Series 82
Micro Tungsten Lamps
Micro Quartz Lamps,
MR16 LampsDEL Series



Distinction Series..... 83
Surface Designer Series



EFR Distinction..... 84
Remote Collection



Recess Mounted EF15 85
& Provider® Series



Remote Emergency Lighting Fixtures



Surface Mounted Series 86



Remote Emergency Lighting Fixtures



Weatherproof Series 87



Remote Emergency Lighting Fixtures



Literay Series 88

Wall Mount Remote Head



Survive-All EF39 Series 89

NEMA-4X and NSF Certified Remote Fixture



EFXPR Series 90

Hazardous Location Remote Lighting Fixtures

Lamp and Head Chart 91

Remote Units

Remote heads in a few words...

EMERGENCY LIGHTING HEADS: PERFORMANCE & TECHNOLOGY

Emergency Lighting Heads represent a key element of an emergency lighting system performance. During a power failure, these lamp heads must provide adequate lighting levels for the safe evacuation of humans from buildings.

Which level of illumination is necessary to ensure a safe evacuation? Minimum levels are established by the National Building Code of Canada:

“3.2.7.3. Emergency Lighting 1 - Emergency lighting shall be provided to an average level of illumination not less than 10 lx at floor or tread level. . .

2-Emergency lighting to provide an average level of illumination of not less than 10 lx at floor or catwalk level shall be included in a service space referred to in Sentence 3.2.1.1.7).

3- The minimum value of the illumination required by Sentences (1) and (2) shall not be less than 1 lx.”

During a power failure, the emergency power supply is provided to the heads from batteries. Equipment manufacturers and customers should use high intensity light sources, with efficient light levels and distributions.

Let's examine which light sources are used for emergency lighting and which are the best ones?

MINIATURE LAMPS: TUNGSTEN AND QUARTZ HALOGEN

Most commonly used emergency heads are fabricated of an injection-molded thermoplastic housing containing a miniature lamp, a metallic reflector and a polycarbonate lens. Lamps use a tungsten filament enclosed in a filling gas mixture of argon and nitrogen and are generally referred to as incandescent lamps.

A better performance is obtained with quartz halogen lamps, which are still incandescent lamps, but the filling gas (iodide/chloride) allows the tungsten filament to operate at higher temperatures. This results in higher luminous intensity, 20 to 30% superior to standard incandescent lamps of same wattage and lamp life.

Table 1 shows a comparison between miniature incandescent lamps and quartz halogen lamps. The luminous intensity is measured in MSCP (mean spherical candle power).

TABLE 1

Lamp Type	Application	Voltage (V)	Wattage (W)	Average Life (hrs)	Luminous Intensity (MSCP)	Relative Luminous Intensity
INCANDESCENT	Emergency Lighting	6	12	50	15	100%
HALOGEN	Emergency Lighting	6	12	50	19	127%

You have probably already noticed the short lamp life of these light sources. Who would be interested in using a bulb which only lasts 50 hours? The answer is simple: such a lamp produces 25% to 30% more light than a lamp of the same wattage but longer lamp life (i.e. 1,000 hours).

By design, the filament is used at higher temperatures, increasing light output.

However, using high temperatures also increases vaporization of the filament, which in turns shortens its life. As power failures are relatively scarce (let's say 4 to 6 per year) and duration of emergency lighting between 30 minutes to 2 hours, lamp heads are only used between 3 to 12 hours per year. A lamp with an average life of 50 hours should therefore be functional during over four years.

Lamp manufacturers offer two types of miniature lamps : long life and high light output.

Table 2 shows a few examples.

Remote Units

TABLE 2


Lamp Type	Application	Voltage (V)	Wattage (W)	Average Life (hrs)	Luminous Intensity (MSCP)	Relative Luminous Intensity
INCANDESCENT	Specialty	12	8	1,000	10	100%
	Emergency	12	8	50	13	130%
	Lighting	6	8	50	13	130%
	Emergency Lighting					
HALOGEN	Automobile, Rough	12.8 6	12.8 12	1,000 50	12 15	100% 120%
	Service, Emergency Lighting					

PAR36 SEALED BEAM LAMPS

Emergency head performance also depends on lamp optics: the reflector and the lens. This is especially critical in damp areas where vapors and water condensation can deteriorate the electrical contacts and the reflector performance.

Sealed beam lamps are recommended for such applications.

Sealed beam lamp construction includes a metal coated glass reflector and a lens, designed to provide a light beam of a certain opening: narrow, medium, large, etc. The most common lamps used are those with a 4.5" diameter (PAR36), available in both incandescent and halogen versions. As for miniature lamps, there are sealed beam lamps dedicated for long life applications (4,000 hours, 7-8 lumens/Watt) and for emergency lighting (50 to 300 hours, 12-20 lumens/Watt).



Originally, lamp life wasn't an issue. However, this has become increasingly important in recent years, with the introduction of sophisticated emergency lighting fixtures with periodic self-test and self-diagnostic features.

Such a system includes a micro-controller board which automatically simulates a power failure and forces the fixture in emergency lighting mode every 30 days for at least 30 seconds and tests both the batteries and the lamps. Even if the duration of the self-test is minimal compared to the lamp life, the repetitive connection and disconnection cycle of the lamps increases the risk of a premature failure caused by the initial high current applied.

MR16 GENERATION

Fortunately, the lamp life issue was resolved with a new generation of lamps, the MR16 technology (MR16 stands for Multi-faceted Reflector, 16/8" diameter). Increasingly popular, the MR16 contains everything in one: miniature halogen lamp, metal coated glass reflector and, for the most part, a glass lens cemented to the reflector. Easy to install, MR16 lamps are popular in both residential and commercial applications, and increasingly specified for emergency lighting. Why?

In addition to their bright directional beam, these lamps offer a good efficacy (11 to 18 lumens/Watt), as well as long life (2,000 to 6,000 hrs). How is this possible?

First, the use of a glass lens which is clear and thin, absorbing much less light than standard diffuser lens, and second an efficient light distribution, accomplished by the multi-faceted reflector.



Lux-Ray Series

Project/Location: _____

Contractor: _____

Date: _____

Prepared by: _____

Features

- Low profile, slim lines – measures only 6.6" x 9.5"
- Fully gasketed housing, rugged die-cast body and UV-resistant lens
- Fast and easy installation
- Also available as a battery unit; see Battery Units section of this catalogue



Typical Specification

Supply and install the Emergi-Lite **Lux-Ray** Series remote unit. The remote unit shall come complete with two lamps.

The wall mount unit shall be made of a gasketed die-cast aluminium housing, UV and impact resistant polycarbonate lens which house a resilient vacuum-plated die-cast reflector and two high-output Xenon lamps.

Fixture shall be suitable for universal mounting on various Junction-boxes or surface mount, using rigid conduit entry on the top of the unit.

The remote unit shall be CSA Certified to C22.2 No.250

The unit shall be Emergi-Lite model: _____.

Wire Guards

460.0082-E	Wall Mount
------------	------------

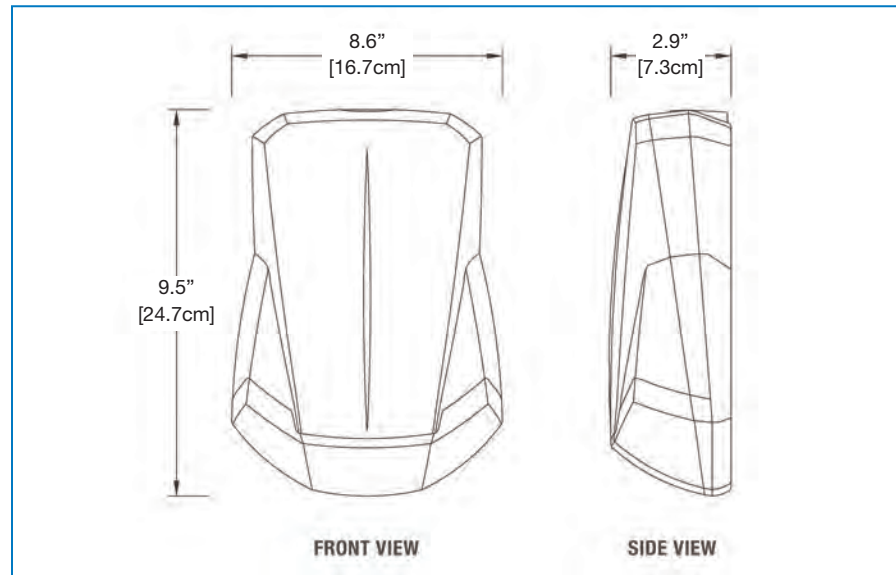
Photometric Performance

Lamp Wattage	Mounting height	Center-to-Center	
		A=3'	A=6'
2 X 6W	7.5'	B=28'	B=19'
	8.5'	B=25'	B=18'
2 X 10W	7.5'	B=30'	B=28'
	8.5'	B=34'	B=30'

Replacement Lamps

Model	Specifications
570.0213-E	X6W, 6V - 6W
570.0214-E	X10W, 6V - 10W

Dimensions



Ordering Information

Series	Colour*	Voltage/Lamp Wattage
EF42= Remote fixture (-40°C to +60°C)	OW = off white BK = black BZ = dark bronze PG = platinum grey	6V6W = 6Volts - 6Watts 6V10W = 6Volts - 10Watts 12V6W = 12Volts - 6Watts 12V10W = 12Volts - 10Watts
Indoor/outdoor Remote fixture.	* Other colours available on demand. Consult your sales representative.	Xenon wedge base T3-1/4.

EXAMPLE: EF420W6V6W

Project/Location:
Contractor:
Date:
Prepared by:

EF40 Series

Remote Fixture



Typical Specification

Supply and install Emergi-Lite **EF40 series** remote emergency lighting. These remote fixtures will consist of either single or double lamp configurations according to the design and include a die cast aluminum back plate and a clear heavy-duty UV resistant polycarbonate light cover.

The remote fixture shall be certified to CSA C22.2 No.250.

The head(s) shall be fully adjustable and be equipped with MR16 halogen lamp(s).

The unit shall be Emergi-Lite model: _____.

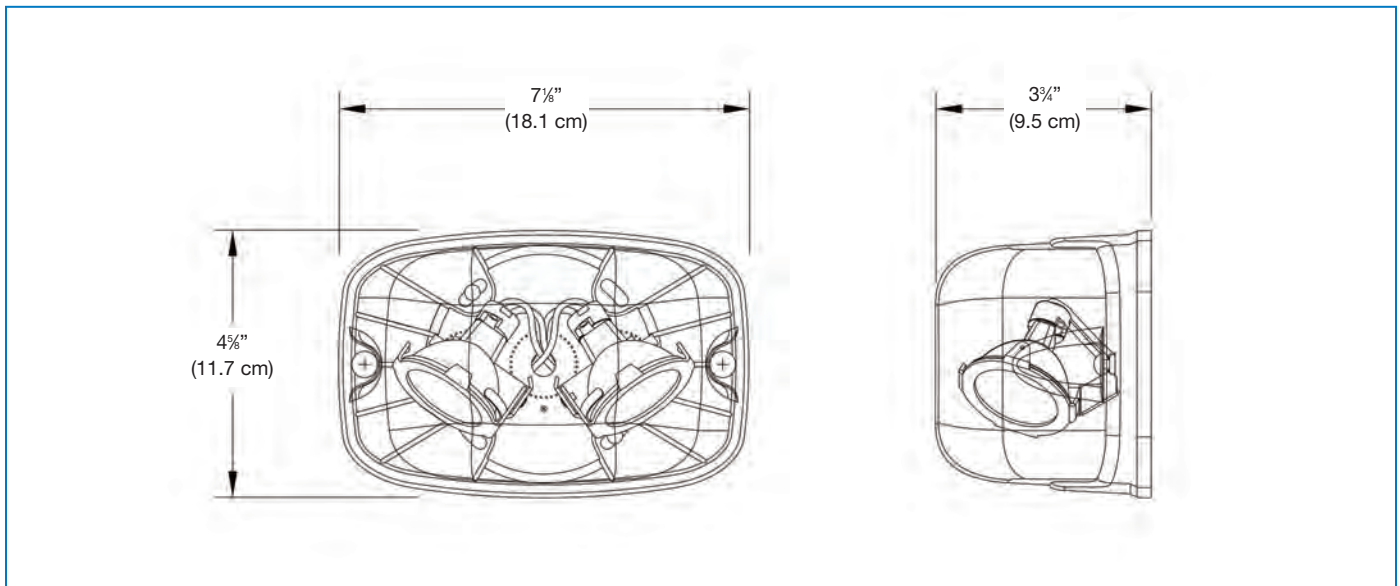
Features

- Quality illumination requires fewer fixtures
- Shielded to prevent tampering
- Easy installation
- Easy Lamp replacement

For interior use only.
Please refer to EF39 Series for exterior use.



Dimensions



Replacement Lamps

Model	Lamp Type	Voltage-Wattage
580.0079-E	MR16-Flood	6V - 10W
580.0080-E		12V - 12W
580.0077-E		24V - 20W

See the complete list page 91

Ordering Information

Series	Number of lamps	Colour	Voltage and Wattage
EF40M	Blank = one lamp D = two lamps	Blank = factory white B = black G = grey	-6V6W = 6V-6 watts, MR 16 -6V10W = 6V-10 watts, MR16 -12V12W = 12V-12 watts, MR16 -12V20W = 12V-20 watts, MR16 -24V12W = 24V-20 watts, MR16 -24V20W = 24V-20 watts MR16 -L = 12V-5 watts, LED

EXAMPLE: EF40DM-6V10W



Retract-a-Lite Series

Project/Location: _____

Contractor: _____

Date: _____

Prepared by: _____

Features

- Remote only visible upon power failure
- Front can be painted or wall papered on-site to match existing decor
- Also available as a battery unit; see Battery Units section of this catalogue



Typical Specification

Supply and install an **Emergi-Lite Series Retract-a-Lite** fixture as specified and as shown on the drawings.

The DC-remote unit shall not require the presence of AC power in order to close the door and conceal the lights. The back box shall be constructed of heavy-duty galvanized steel and be supplied with two (2) MR16 lamps as specified and a mounting bracket for final assembly.

The unit equipment shall be completely concealed in the wall or ceiling during normal power conditions. Upon a power failure the unit will expose the emergency heads by rotating its door 180° and then power the lamps. At the restoration of the AC power or at the end of the battery discharge, the lamps will turn off and the unit will retract the heads in the wall (ceiling) by rotating the door by 180°. Under normal conditions, the only visible parts of the unit shall be the flat door and trim plate, coated with an off-white finish that can be customized on site with paint or other suitable wall covering. The light source shall be 12V or 24V MR16 halogen lamps of specified wattage and light output.

The remote fixture shall be certified to CSA C22.2 No.250

The unit shall be Emergi-Lite model: _____.

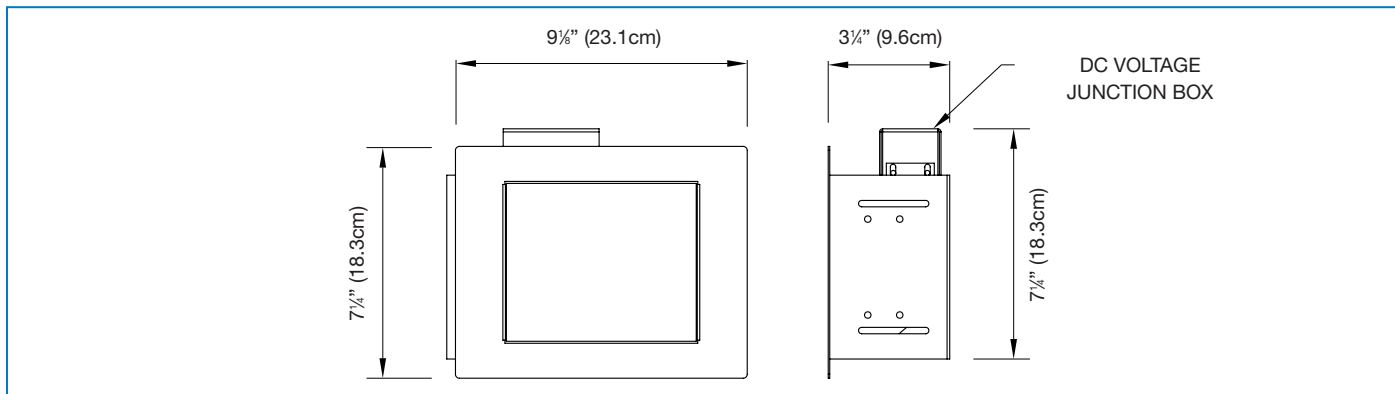
Replacement Lamps

Model	Lamp Type	Voltage-Wattage
580.0080-E	MR16 12W Flood	12V-12W
580.0064-E	MR16 20W Flood	12V-20W
580.0083-E	MR16 35W Flood	12V-35W
580.0076-E	MR16 50W Flood	12V-50W
580.0068-E	MR16 IR* 20W Flood	12V-20W
580.0090-E	MR16 IR* 35W Flood	12V-35W
580.0089-E	MR16 IR* 50W Flood	12V-50W
580.0084-E	MR16	24V-35W
580.0070-E	MR16	24V-12W
580.0077-E	MR16	24V-20W
580.0078-E	MR16	24V-50W

*High-output (H).

See the complete list page 91

Dimensions



The opening of the wall/ceiling mounted remote head is 5 3/4" (14.6cm) x 8" (20.3cm). Dimensions are approximate and subject to modifications.

Ordering Information

Series	Wattage for each of the 2 lamps	Options
12RTL = 12 volts DC remote 24RTL = 24 volts DC remote 120/347Vac standard.	-12 = 2x 12 watts, MR16 -20 = 2x 20 watts, MR16 -35 = 2x 35 watts, MR16 -50 = 2x 50 watts, MR16 -20H = 2x 20 watts, MR16, High lumen output -35H = 2x 35 watts, MR16, High lumen output -50H = 2x 50 watts, MR16, High lumen output	TB = T-bar mounting kit

EXAMPLE: 12RTL-20TB

Project/Location: _____

Contractor: _____

Date: _____

Prepared by: _____

Mini Retract-a-Lite

Fully Concealed, Easy to Retrofit



Typical Specification

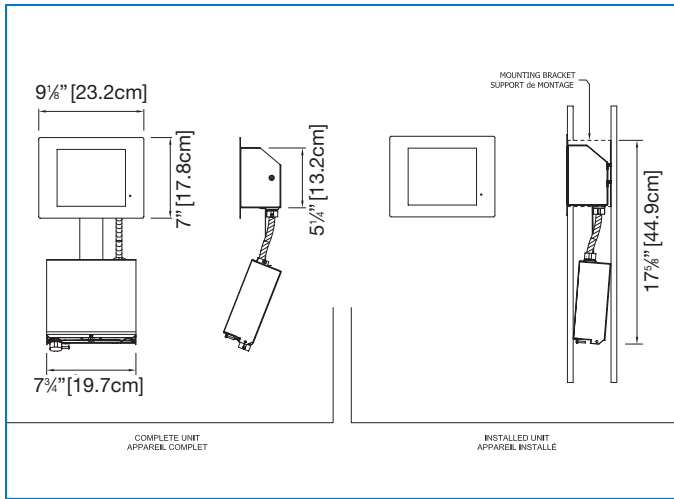
Supply and install **Emergi-Lite Mini Retract-a-Lite**. The unit shall be designed to be completely concealed in walls with a cavity. The equipment shall consist of a metal housing containing two modules joined by a flexible bracket and electric conduit. One module contains the battery, charger circuitry and electrical connection box; the other module contains the emergency lights installed on the back of a door able to rotate 360°. The unit equipment shall be completely concealed in the wall, after the installation through a rectangular opening not larger than 8.25-in by 5.75-in. In stand-by mode, the only visible parts of the unit shall be the flat door and trim plate, coated with an off-white finish that can be customized on site with paint or other suitable wall covering. Upon a power failure the unit will expose the emergency heads by rotating its door 180° and then will power the lamps. At the restoration of the AC power or at the end of the battery discharge, the lamps will turn off and the unit will retract the heads by rotating the door.



The unit shall not require the presence of AC power in order to close the door. The door of the unit shall be easy to open or close by hand, in any rotation direction. The light source shall be 12V MR16 halogen lamps of specified wattage and light output. The unit shall supply the rated load for a minimum of 30 minutes or until the battery is discharged to 87 ½% of its nominal voltage

(whichever duration is longer). The charger circuitry shall utilize a micro-controller that samples the battery in relation to the ambient temperature, state of charge, and input voltage fluctuations. The charger shall be current limited, temperature compensated and short-circuit proof. The circuit will charge in accordance with the CSA C22.2 – 141 requirements. The unit shall be furnished with a recessed, illuminated push button serving as test switch and status indicator light.

Dimensions



Auto diagnostic: the unit will come complete with the Emergi-Lite series of autodiagnostic micro-controller circuitry that will ensure the equipment readiness and reliability by continuously monitoring every critical function of the unit. If a component failure occurs, the pilot light on the front of the unit, will change color from green to red and will flash indicating a fault. A detailed diagnostic legend shall be available on the back of the door and shall provide fault identification.

The auto diagnostic shall simulate a power loss for one minute monthly, 10 minutes every sixth months, and a full 30-minute test every 12 months.

The equipment shall be Emergi-Lite model: _____.

Features

- Easy to retrofit in finished walls: the unit slides in through an 8.25-in by 5.75-in hole, open next to a wall stud
- No pre-installed back box
- Output: 12Vdc with up to 100 watts of power
- Direct connection to 120 or 347Vac power generators
- Emergency lights: MR16 halogen lamps; power range from 12 to 50 Watts
- Certification: CSA C22.2 No.50



Replacement Lamps

Ordering Code	Type	Voltage-Wattage
580.0080-E	MR16 flood	12V-12W
580.0064-E	MR16 flood	12V-20W
580.0083-E	MR16 flood	12V-35W
580.0076-E	MR16 flood	12V-50W
580.0068-E	MR16 IR* flood	12V-20W
580.0090-E	MR16 IR* flood	12V-35W
580.0089-E	MR16 IR* flood	12V-50W

*High-output (H)

Ordering Information

Series	Unit Capacity	A.C. Voltage	Lamp Wattage (12V MR16)	Options
MR	G = Remote AC generator Max. 100W	Blank = 120Vac 2 = 277Vac 3 = 347Vac	/12 = 2x 12 watts MR16 /20 = 2x 20 watts MR16 /35 = 2x 35 watts MR16 /50 = 2x 50 watts MR16 /20H = 2x 20 watts MR16, High Lumen output /35H = 2x 35 watts MR16, High Lumen output /50H = 2x 50 watts MR16, High Lumen output	TB = T-bar mounting kit

EXAMPLE: MRL80/20HUN



EF9/EF9Q/EF9M Series

Micro Tungsten Lamps
Micro Quartz Lamps, MR16 Lamps

Project/Location: _____

Contractor: _____

Date: _____

Prepared by: _____

Features

- Variable light patterns using adjustable lens
- Fire-retardant thermoplastic
- 300° rotation



Typical Specification

Lamp head and stem shall be injection molded, impact resistant, flame retardant thermoplastic. The lens shall be inverse concave design and fully adjustable for aisle or area distribution during installation without the need to energize the lamp. Visual identification of distribution shall be provided through position of adjustment pins.

The remote fixture shall be certified to CSA C22.2 No.250.

Fixture shall be supplied with a canopy for installation on any four inch octagon box. Housing shall be so designed to allow for lamp replacement if required. Lamp shall be _____ volts, _____ watts Model: EF9-, EF9Q- or EF9M- by Emergi-Lite.

The unit shall be Emergi-Lite model: _____.

Wire Guards

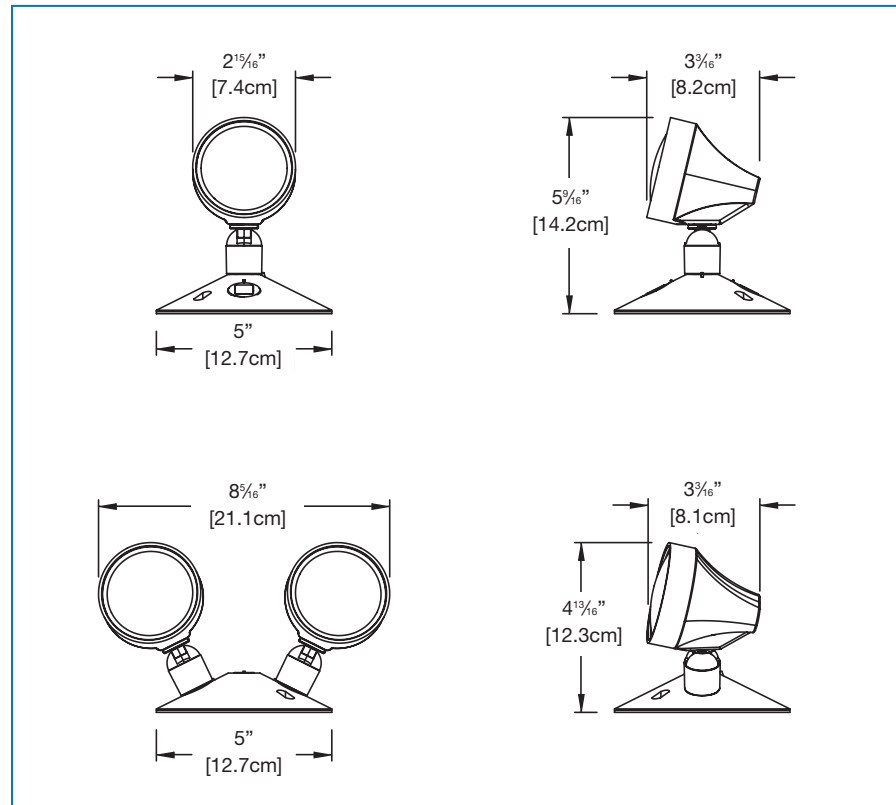
460.0029-E	Wall Mount
------------	------------

Replacement Lamps

Model	Lamp Type	Voltage
570.0016-E	Tungsten	6V - 9W
570.0045-E	Tungsten	24V - 9W
580.0015-L	Halogen (quartz)	12V - 12W

See the complete list page 91

Dimensions



Ordering Information

Series	Number of lamps	Lamp Type	Colour	Voltage and Wattage
EF9= mini, par 18	B = single head D = double head T = triple head	Blank = tungsten, wedge base Q = halogen, quartz bi-pin M = halogen, MR16	Blank = factory white B = black	-6V9W = 6V - 9 watts, wedge base -12V9W = 12V - 9 watts, wedge base 12V18W = 12V - 18 watts, wedge base -24V9W = 24V - 9 watts, wedge base -24V18W = 24V - 18 watts, wedge base -6V8W = 6V - 8 watts, quartz bi-pin -6V12W = 6V - 12 watts, quartz bi-pin -12V8W = 12V - 8 watts, quartz bi-pin -12V12W = 12V - 12 watts, quartz bi-pin -6V6W = 6V - 6 watts, MR16 -6V10W = 6V - 10 watts, MR16 -12V12W = 12V - 12 watts, MR16 -12V20W = 12V - 20 watts, MR16 -24V12W = 24V - 12 watts, MR16

EXAMPLE: EF9Q6V8W

Project/Location: _____

Contractor: _____

Date: _____

Prepared by: _____

Distinction Series

Surface Designer Series



Typical Specification

The contractor will supply and install Emergi-Lite **Distinction Series** remote heads. These remote heads will consist of either single, double or triple head configurations according to the design. Remote heads will be constructed of a durable powder coated, die cast aluminum construction and use MR16 halogen light sources.

The remote fixtures shall be certified to CSA C22.2 No.250.

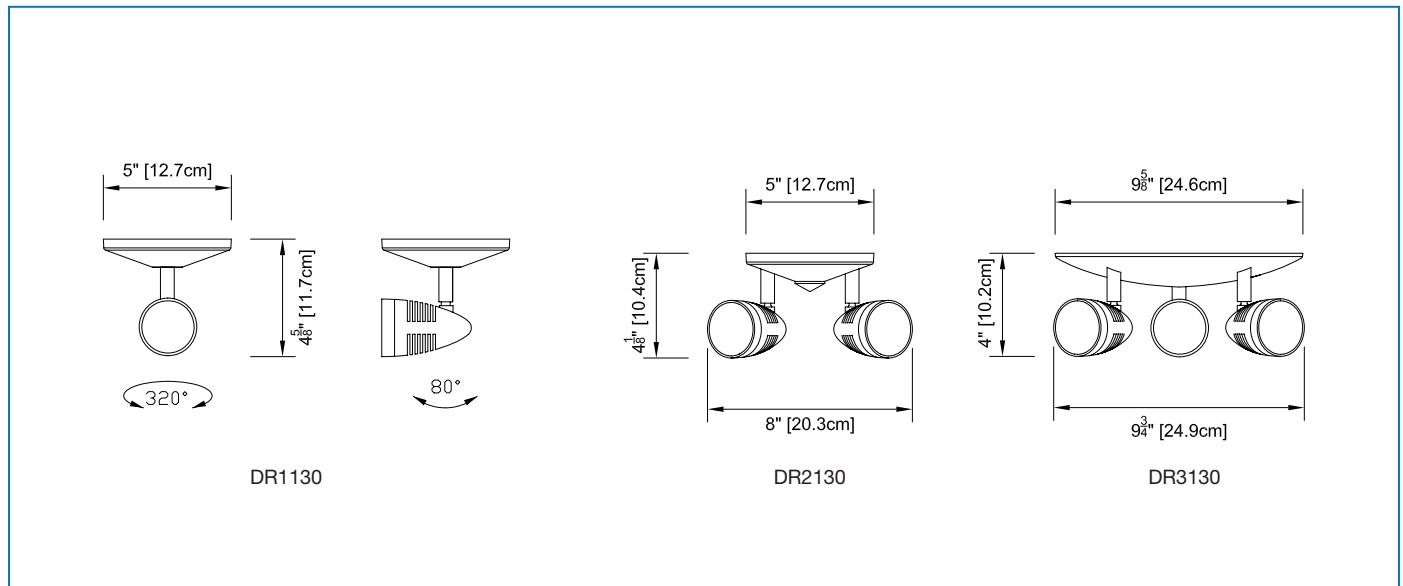
The unit shall be Emergi-Lite model: _____.

Features

- Contemporary, enduring designs
- Remote head: 1, 2 or 3 head configurations
- Highly-resistant powder-coated, die cast aluminum construction
- 6W, 10W, 12W, 20W, 35W, and 50W availability
- Narrow beam MR16 light source



Dimensions



Wire Guards

460.0029-E	Wall Mount (EF150/EF180/EF181)
460.0032-E	Wall Mount (EF150D/EF180D/EF181D)
460.0078-E	Wall Mount (EF150T/EF180T/EF181T)

Replacement Lamps

Model	Lamp Type	Voltage-Wattage
570.0074-E	MR16-Flood	6V - 6W
580.0080-E		12V - 12W
580.0077-E		24V - 20W

See the complete list page 91

Ordering Information

Series	# of Heads	Colour	Voltage and Wattage
EF150= closed	Blank= single head D= double head T= triple head	Blank= white -B= black	-6V6W= 6V - 6 watts, MR16 -6V10W= 6V - 10 watts, MR16 -12V12W= 12V - 12 watts, MR16 -12V20W= 12V - 20 watts, MR16 -12V35W= 12V - 35 watts, MR16 -12V50W= 12V - 50 watts, MR16 -24V12W= 24V - 12 watts, MR16 -24V20W= 24V - 20 watts, MR16 -24V35W= 24V - 35 watts, MR16 -24V50W= 24V - 50 watts, MR16

EXAMPLE: EF150MD



EFR Distinction Remote Collection

Recessed Designer Series

Project/Location: _____

Contractor: _____

Date: _____

Prepared by: _____

Features

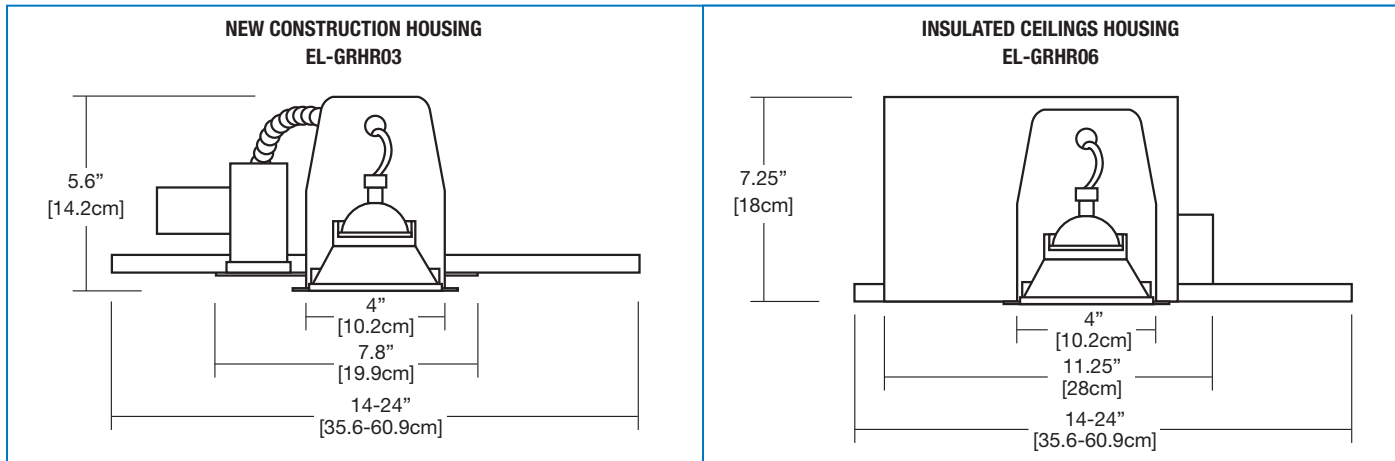
- Contemporary, enduring designs
- 6W, 10W, 12W, 20W, 35W, and 50W availability
- Wide beam MR16 light source
- Will blend in with regular decorative recessed fixtures
- Choice of housing for new construction or insulated ceiling
- EFR8NB and EFR8R are made of powder coated or electro-plated steel
- EFR9 and EFR2 are made of die-cast
- Certified CSA C22.2 No.250



Housing for recessed remote

Model #	Description
EL-GRH03= non insulated ceilings	New construction (pre drywall)
EL-GRH04= non insulated ceilings	New construction (post drywall)
EL-GRH06= insulated ceilings	New construction (pre drywall)

Dimensions



Replacement Lamps

Model	Lamp Type	Voltage-Wattage
580.0079-E	MR16-Flood	6V - 10W
580.0080-E		12V - 12W
580.0077-E		24V - 20W

See the complete list page 91

Ordering Information

Series	Head Style	Colour	Voltage and Wattage
EFR= decorative recessed remote	8NB= flat 8R= concave 9= concave 2= pop-out	WH= white BK= black (8R, 9 & 2 series only) BN= brushed nickel (8R, 8NB & 2 series only) CH= chrome (2 series only) PB= polished brass (2 series only)	-6V6W= 6V - 6 watts, MR16 -6V10W= 6V - 10 watts, MR16 -12V12W= 12V - 12 watts, MR16 -12V20W= 12V - 20 watts, MR16 -12V35W= 12V - 35 watts, MR16 -12V50W= 12V - 50 watts, MR16 -24V12W= 24V - 12 watts, MR16 -24V20W= 24V - 20 watts, MR16 -24V35W= 24V - 35 watts, MR16 -24V50W= 24V - 50 watts, MR16 -120V20W= 120V-20watts, GU10* -120V35W= 120V-35watts, GU10* -120V50W= 120V-50watts, GU10* *available in "8R & 9"series only

EXAMPLE: EFR8NBBNMA

Project/Location: _____

Contractor: _____

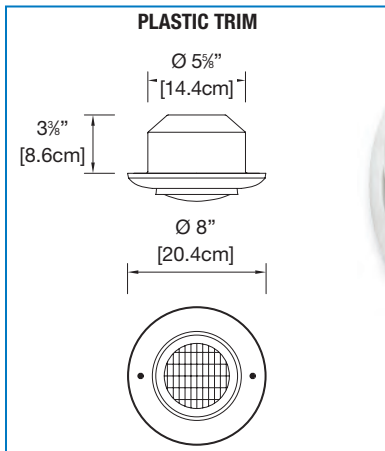
Date: _____

Prepared by: _____

Recess Mounted EF15 & Provider® Series

Remote Emergency Lighting Fixtures

Recessed Mounted EF15 Dimensions



Wire Guards

460.0033-E	Wall Mount
------------	------------

Recess Mounted Series EF15 – Features

- Durable thermoplastic trim (metal trim as an option)
- Gimbal ring adjustable on two planes to 45°
- Complete unit, no additional housing needed
- Certified CSA C22.2 No.250



Replacement Lamps

Model	Lamp Type	Voltage-Wattage
570.0026-E	Tungsten	6V - 9W
570.0025-E		12V - 9W
570.0045-E		24V - 9W

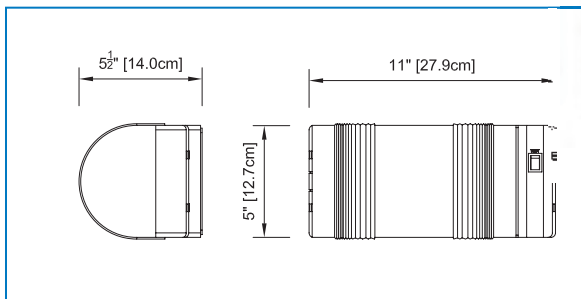
See the complete list page 91

Ordering Information

Series	Lamp Type	Housing	Options	Colour	Head Style and Wattage	
EF15= par 36 recessed	Blank= tungsten H= quartz sealed beam Q= halogen S= sealed beam	Blank= plastic trim M= metal trim	Blank= no options NB= less back box	Blank= factory white B= black	-6V9W= 6V - 9 watts, tungsten, wedge base -6V __ W= 6V - 18 or 25 watts, tungsten, D.C.B. -12V __ W= 12V - 9 or 18 watts, tungsten, wedge base -12V25W= 12V - 25 watts, tungsten, D.C.B. -24V __ W= 24V - 9 or 18 watts, tungsten, wedge base -24V25W= 24V - 25 watts, tungsten, D.C.B. -6V __ W= 6V - 8, 12, or 20 watts, halogen, quartz bi-pin -12V __ W= 12V - 8, 12, 20 or *55 watts, halogen, quartz bi-pin *NOTE: " __ W=" insert wattage required * Available with metal trim only.	-24V __ W= 24V - 20 or *70 watts, halogen, quartz bi-pin -6V __ W= 6V - 9, 12, 18 or 25 watts, tungsten, sealed beam -12V __ W= 12V - 12, 18 or 25 watts, tungsten, sealed beam -6V __ W= 6V - 8, 12 or 20 watts, halogen, quartz sealed beam -12V __ W= 12V - 8, 12 or *37 watts halogen, quartz sealed beam -32V __ W= 32V - 18 or 25 watts, tungsten, D.C.B. -120V __ W= 120V - 10, 15, *30 or *50 watts, tungsten, D.C.B.

EXAMPLE: EF15Q-12V12W

Provider™ Series Dimensions



Wire Guards

460.0100-E	Wall Mount
------------	------------

Provider® Series Features

- Impact-resistant thermoplastic
- Wall or ceiling mount
- Certified CSA C22.2 No.250
- Also available as a battery unit; see Battery Units section of this catalogue



Replacement Lamps

Model	Lamp Type	Voltage-Wattage
570.0016-L	Mini tungsten, wedge base	6V - 9W
570.0025-E		12V - 9W
570.0045-E		24V - 9W

See the complete list page 91

Ordering Information

Series	Colour	Lamp Type, Voltage and Wattage	Options
R-CPRO-2= remote fixture	Blank= factory white BK= black	-6= 6V - 7.2 watts, tungsten, wedge base -12= 12V - 7.2 watts, tungsten, wedge base	Blank= standard VR= tamper proof screws 990.0119-E= tamper proof bit* *One bit per order.

EXAMPLE: R-CPRO-2-6



Surface Mounted Series

Remote Emergency Lighting Fixtures

Project/Location: _____

Contractor: _____

Date: _____

Prepared by: _____

EF18/EF18D/EF18T

Features

- Single, double or triple head
- Positive aim swivel
- Certified CSA C22.2 No.250



Wire Guards

460.0035-E	Wall Mount (EF18)
460.0082-E	Wall Mount (EF18D)
460.0078-E	Wall Mount (EF18T)

Replacement Lamps

Model	Lamp Type	Voltage-Wattage
570.0016-E	Mini Tungsten, Wedge base	6V - 9W
570.0025-E	Tungsten, Wedge base	12V - 9W
580.0023-E	Halogen (quartz), Bi-pin	24V - 20W

See the complete list page 91

Dimensions

Fixture	Length	Height	Depth	Canopy
EF18:	4 3/4" (12.7 cm)	7 7/8" (18.7 cm)	4 1/2" (10.5 cm)	5.0" (12.7 cm) Diameter
EF18D:	11 1/2" (28.2 cm)	6 3/4" (16.8 cm)	4 1/2" (10.5 cm)	Canopy: 5" (12.7 cm) Diameter
EF18T:	14 1/2" (37.8 cm)	6 3/4" (16.2 cm)	14 1/2" (37.8 cm)	Canopy: 9.5" (24.1 cm) Diameter



Ordering Information

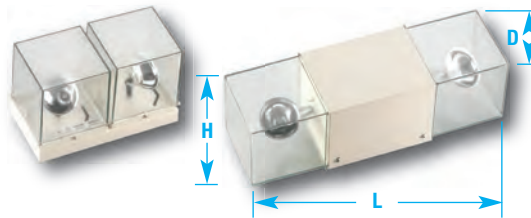
Series	Lamp Style	Colour	Lamp Type, Voltage and Wattage	Options*	
EF18= single, par 36 EF18D= double, par 36 EF18T= triple, par 36	Blank= tungsten Q= halogen S= sealed beam H= quartz sealed beam	Blank= factory white B= black C= chrome M= factory white (metal)	-6V9W= 6V - 9 watts, tungsten, wedge base -6V __ W= 6V - 18 or 25 watts, tungsten, D.C.B. -12V __ W= 12V - 9 or 18 watts, tungsten, wedge base -12V25W= 12V - 25 watts, tungsten, D.C.B. -24V __ W= 24V - 9 or 18 watts, tungsten, wedge base -24V25W= 24V - 25 watts, tungsten, D.C.B. -6V __ W= 6V - 8, 12, or 20 watts, halogen, quartz bi-pin -12V __ W= 12V - 8, 12, 20 or 55 watts, halogen, quartz bi-pin NOTE: " __ " = insert wattage required *Only available with metal head.	-24V __ W= 24V - 20 or 70 watts, halogen, quartz bi-pin -6V __ W= 6V - 9, 12, 18 or 25 watts, tungsten, sealed beam -12V __ W= 12V - 12, 18 or 25 watts, tungsten, sealed beam -6V __ W= 6V - 8, 12 or 20 watts, halogen, quartz sealed beam -12V __ W= 12V - 8, 12 or 37 watts halogen, quartz sealed beam -32V __ W= 32V - 18 or 25 watts, tungsten, D.C.B. -120V __ W= 120V, tungsten, D.C.B. -120V35W= 120V35watts, halogen, D.C.B. -120V50W= 120V - 50 watts, quartz, D.C.B. *	FP= teflon coated lens

EXAMPLE: EF18Q-12V12W

EF26/EF26DS/EF26D

Features

- Cubic, vandal-resistant surface-mounted fixture
- Single, double or twin cube with center body
- Frosted polycarbonate cube
- Certified CSA C22.2 No.250



Wire Guards

460.0035-E	Wall Mount (EF26)
460.0100-E	Wall Mount (EF26D)
460.0032-E	Wall Mount (EF26T)

Replacement Lamps

Model	Lamp Type	Voltage-Wattage
570.0016-E	Mini Tungsten, Wedge base	6V - 9W
580.0011-E	Mini Halogen (quartz), Bi-Pin	6V - 12W
580.0079-E	MR16, Flood	6V - 10W

See the complete list page 91

Dimensions

Fixture	Length	Height	Depth
RSQB	4 3/4" (12.1 cm)	4 7/8" (12.4 cm)	4 3/4" (12.1 cm)
RSQBD	9 1/2" (24.1 cm)	5 7/8" (14.9 cm)	4 3/4" (12.1 cm)
RSQB2	14 3/4" (37.4 cm)	4 3/4" (12.1 cm)	4 3/4" (12.1 cm)



Ordering Information

Series	Lamp Style	Colour	Lamp Style and Wattage	Options*
EF26= single cube EF26D= double cube EF26DS= twin cube	Blank= tungsten Q= halogen M= MR16	Blank= factory white B= black	-6V9W= 6V - 9 watts, wedge base -12V9W= 12V - 9 watts, wedge base -12V18W= 12V - 18 watts, wedge base -24V9W= 24V - 9 watts, wedge base -6V8W= 6V - 8 watts, quartz bi-pin -6V12W= 6V - 12 watts, quartz bi-pin -12V8W= 12V - 8 watts, quartz bi-pin -12V12W= 12V - 12 watts, quartz bi-pin -12V20W= 12V - 20 watts, quartz bi-pin -24V20W= 24V - 20 watts, quartz bi-pin 6V6W= 6V - 6 watts, MR16 6V10W= 6V - 10 watts, MR16 12V12W= 12V - 12 watts, MR16 12V20W= 12V - 20 watts, MR16 12V35W= 12V - 35 watts, MR16 12V50W= 12V - 50 watts, MR16 24V20W= 24V - 20 watts, MR16 24V35W= 24V - 35 watts, MR16 24V50W= 24V - 50 watts, MR16	Blank= no options TP= tamper proof screws 690.0454-E= Tamper proof bit* *One bit per order.

EXAMPLE: EF26Q-TP-6V8W

Project/Location: _____

Contractor: _____

Date: _____

Prepared by: _____

Weatherproof Series

Remote Emergency Lighting Fixtures

EF11 Series – Features

- Available in single, double or triple head fixtures
- Durable thermoplastic construction suitable for industrial or high abuse areas
- Tool-less adjustment and aiming of lamp heads
- Certified CSA C22.2 No.250



Wire Guards

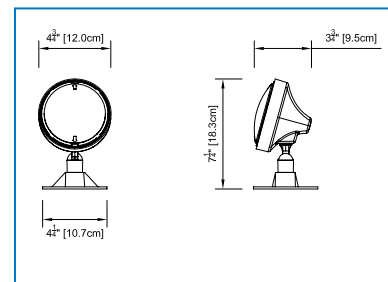
460.0035-E	Wall Mount (EF11)
460.0082-E	Wall Mount (EF11D)

Replacement Lamps

Model	Lamp Type	Voltage-Wattage
570.0016-E	Tungsten	6V - 9W
570.0025-E		12V - 9W
570.0079-E		24V - 9W

See the complete list page 91

Dimensions



Ordering Information

Series	Lamp Style	Colour	Voltage and Wattage	Options	
EF11= single, par 36 EF11D= double, par 36 EF11T= triple, par 36	Blank= tungsten Q= halogen	Blank= black W= factory white	-6V9W= 6V - 9 watts, tungsten, wedge base -6V __ W= 6V - 18 or 25 watts, tungsten, D.C.B. -12V __ W= 12V - 9 or 18 watts, tungsten, wedge base -12V25W= 12V - 25 watts, tungsten, D.C.B. -24V __ W= 24V - 9 or 18 watts, tungsten, wedge base -24V25W= 24V - 25 watts, tungsten, D.C.B. -6V __ W= 6V - 8, 12, or 20 watts, halogen, quartz bi-pin -12V __ W= 12V - 8, 12, 20 or 55 watts, halogen, quartz bi-pin	-24V __ W= 24V - 20 watts, halogen, quartz bi-pin -6V __ W= 6V - 9, 12, 18 or 25 watts, tungsten, sealed beam -12V __ W= 12V - 12, 18 or 25 watts, tungsten, sealed beam -6V __ W= 6V - 8 or 12 watts, halogen, quartz sealed beam -12V __ W= 12V - 8, 12 or 37 watts halogen, quartz sealed beam -32V __ W= 32V - 18 or 25 watts, tungsten, D.C.B. -120V __ W= 120V - 10, 15 or 30 watts, tungsten, D.C.B. *NOTE: " __ " = insert wattage required	FP= teflon coated lens

EXAMPLE: EF11Q-12V12W

EF30 Series – Features

- Sealed beam, surface-mounted, rubber coated industrial remote fixture
- For use in high pressure hose down areas
- Available only in black
- Certified CSA C22.2 No.250

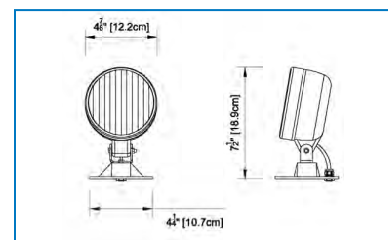


Replacement Lamps

Model	Lamp Type	Voltage-Wattage
550.0026-E	Tungsten	12V - 12W
550.0027-E		12V - 18W
550.0023-E		12V - 25W

See the complete list page 91

Dimensions



Ordering Information

Series	Lamp Style	Voltage and Wattage	Options
EF30= single par 36 EF30D= double, par 36 EF30T= triple, par 36	S= sealed beam H= quartz sealed beam	-6V __ W= 6V - 9, 12, 18 or 25 watts, tungsten, sealed beam -12V __ W= 12V - 12, 18 or 25 watts, tungsten, sealed beam -6V __ W= 6V - 8, 12 or 20 watts, halogen, quartz sealed beam -12V __ W= 12V - 8, 12 or 37 watts halogen, quartz sealed beam *NOTE: " __ " = insert wattage required.	FP= teflon coated lens

EXAMPLE: EF30S-6V9W

EF28 Series – Features

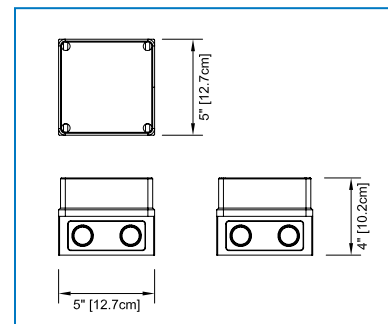
- NEMA-4X listed, surface-mounted, square industrial remote fixture
- Available with tungsten or quartz lamps in single or double head configurations
- Gray fiberglass base and clear polycarbonate lens
- Certified CSA C22.2 No.250



Ordering Information

Series	Lamp Style	Lamp Type, Voltage and Wattage
EF28= single EF28D= double	Blank= tungsten Q= halogen	-6V9W= 6V - 9 watts, tungsten, wedge base -12V __ W= 12V - 9 or 18 watts, tungsten, wedge base -24V __ W= 24V - 9 or 18 watts, tungsten, wedge base -6V __ W= 6V - 8, 12, or 20 watts, halogen, quartz bi-pin -12V __ W= 12V - 8, 12, or 20 watts, halogen, quartz bi-pin -24V20W= 24V - 20 watts, halogen, quartz bi-pin *NOTE: " __ " = insert wattage required.

Dimensions



EXAMPLE: EF28Q-12V12W



Literay Series

Wall Mount Remote Head

Project/Location: _____

Contractor: _____

Date: _____

Prepared by: _____

Features

- Compact wall sconce unit for indoor and outdoor use
- High impact resistant polycarbonate diffuser
- Corrosive resistant die-cast aluminum housing
- Vandal resistant
- Adjustable MR16 lamps

Typical Specification

Wall mount unit shall be gasketed die-cast aluminum housing, impact resistant polycarbonate diffuser.

The lamps shall be in adjustable for aisle or area distribution.

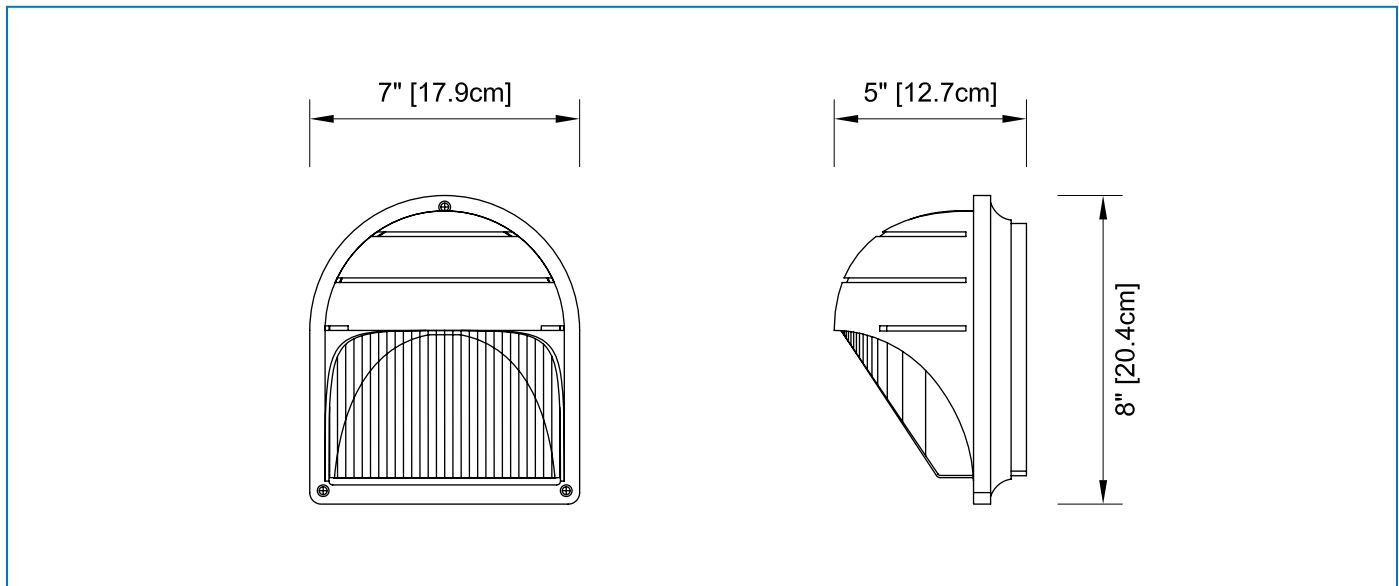
Fixture shall be supplied with gasket and shall be suitable for installation on any four inch octagonal box.

The fixture shall be certified to CSA C22.2 No.250

The unit shall be Emergi-Lite model: _____.



Dimensions



Replacement Lamps

Model	Type	Voltage-Wattage
580.0079-E	MR16-Flood	6V - 10W
580.0080-E		12V - 12W
580.0068-E		12V - 20W
580.0077-E		24V - 12W
580.0070-E		24V - 20W

See the complete list page 91

Ordering Information

Series	Lamp Type	Colour	Lamp Type and Wattage	Options
EF33= Exterior remote	M = MR16 Blank = (1) med. base socket only (max.60W) no lamp included	Blank = factory white B = black DG = dark grey	Blank =no lamps -6V10W = (2) 6V - 10 watts, MR16 -12V12W = (2) 12V - 12 watts, MR16 -12V20W = (2) 12V - 20 watts, MR16 -24V12W = (2) 24V - 12 watts, MR16 -24V20W = (2) 24V - 20 watts, MR16	-VR = vandal resistant screws 990.0119-E = tamper proof bit* *One bit needed per order.

EXAMPLE: EF33M-12V12W

Project/Location: _____

Contractor: _____

Date: _____

Prepared by: _____

Survive-All EF39 Series

NEMA-4X Certified Remote Fixture



Typical Specification

Supply and install Emergi-Lite **EF39 Series** remote emergency lighting fixtures. These remote fixtures will consist of either single or double lamp configurations according to the design. These fixtures shall be fully gasketed with a die cast aluminum back plate and a clear heavy-duty UV resistant polycarbonate light cover. Units shall be NEMA-4X and NSF certified and specifically designed for high abuse areas, wet and cold weather locations. The standard unit will come with stainless steel tamper-proof screws and bit.

The remote fixture shall be certified to CSA C22.2 No. 250 and NSF Certified for use in food processing plants.

The head(s) shall be fully adjustable without tools and should be equipped with high efficiency MR16 halogen lamp(s).

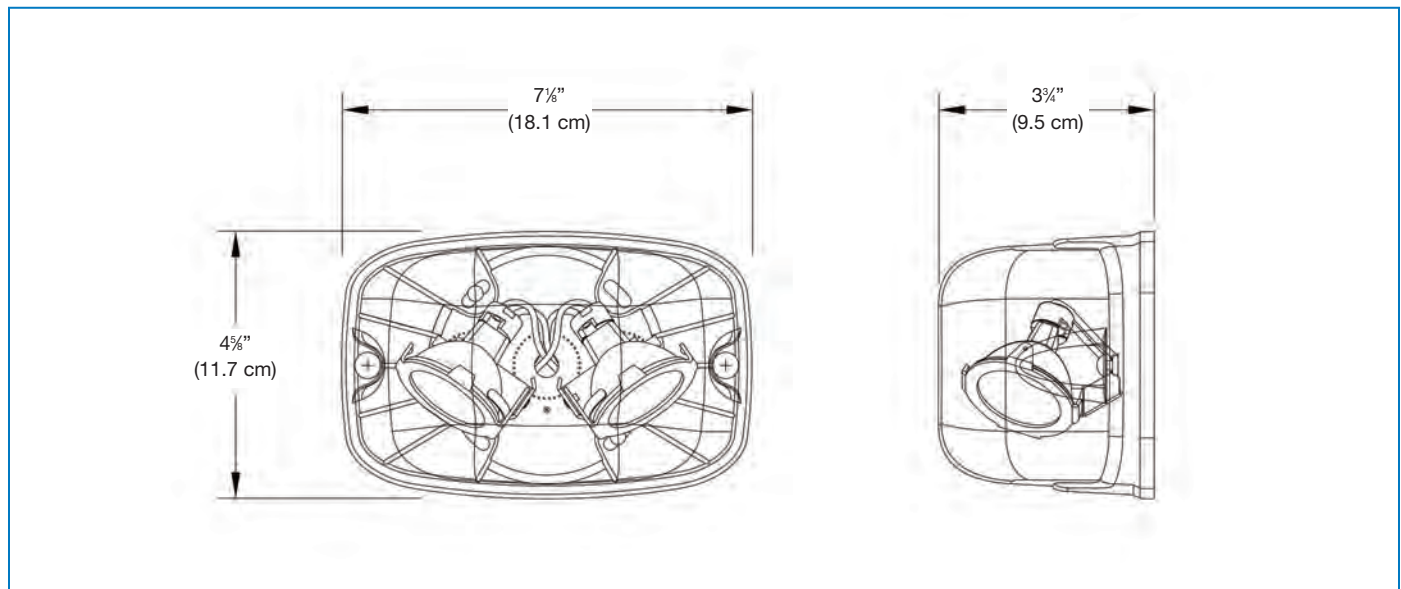
The unit shall be Emergi-Lite model: _____.

Features

- Fully gasketed cast aluminum back plate with clear polycarbonate cover – NEMA-4X Certified
- UV and impact resistant cover
- Choice of single or double lamp models
- Available in 6, 12 and 24 volts models with various wattages
- Easy installation on four-inch octagonal box
- Comes standard with tamper-proof screws and bit
- NSF Certified for food processing plants



Dimensions



Replacement Lamps

Model	Lamp Type	Voltage-Wattage
580.0079-E	MR16-Flood	6V - 10W
580.0080-E		12V - 12W
580.0077-E		24V - 12W

See the complete list page 91

Ordering Information

Series	Number of lamps	Lamp Type	Colour	Voltage and Wattage
EF39= NEMA 4X NSF	B lank= one lamp D = two lamps	M = MR16	B lank= factory white B = black G = grey	-6V6W = 6V-6 watts, MR16 -6V10W = 6V-10 watts, MR16 -12V12W = 12V-12 watts, MR16 -12V20W = 12V-20 watts, MR16-IR -24V12W = 24V-12 watts, MR16 -24V20W = 24V-20 watts, MR16 -L = 12V-5 watts, LED

EXAMPLE: EF39M-6V6W



EFXPR Series

Hazardous Location Remote Lighting Fixtures

Project/Location: _____

Contractor: _____

Date: _____

Prepared by: _____

Features

- CSA Certified for use in hazardous locations:
 - Class I, Divisions 1 and 2, Groups A, B, C, D
 - Class II, Divisions 1 and 2, Groups E, F, G
 - Class III, Divisions 1 and 2
- Die-cast aluminum body with grey epoxy powder coat finish
- Clear, impact and heat resistant prismatic glass globe
- Available in 6, 12, 24 and 120V
- Available with single-lamp or twin-lamp combination

Typical Specification

Supply and install the Emergi-lite **EFXPR Series** of hazardous location remote heads. The head housing will be die cast aluminum with gray epoxy powder coat finish. The lens shall be a clear, impact and heat resistant prismatic glass globe. The head shall be factory sealed. External seals shall not be required.

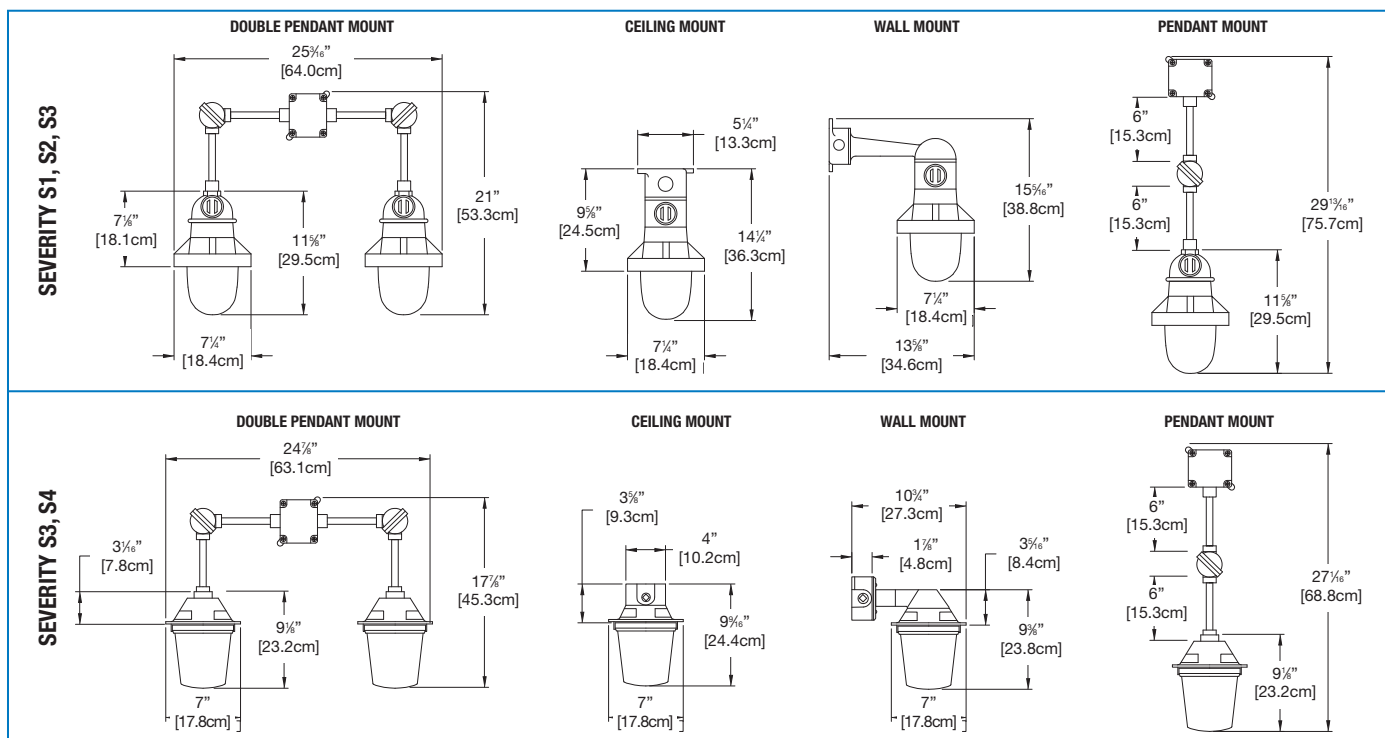
The remote head shall come complete with a _____ mounting connection and include _____ lamp(s) rated _____ volts _____ watts.

The remote head shall be suitable for Class _____, Division _____, Group _____.

The unit shall be Emergi-Lite model: _____.



Dimensions



Replacement Lamps

Model	Type	Voltage-Wattage
580.0011-E	Halogen	6V - 12W
580.0015-E		12V - 12W
580.0027-E		12V - 20W
580.0023-E		24V - 20W

See the complete list page 91

Environment	Severity Code
Cl. I, Div. 1, Gr. A, B	S1
Cl. I, Div. 1, Gr. C, D	S2
Cl. I, Div. 2, Gr. A, B, C, D	S3
Cl. II, Div. 1 & 2, Gr. E, F, G	S4
Cl. III, Div. 1 & 2	

Certification Guide for Remote Lighting Fixtures (40°C ambient)








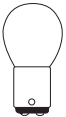

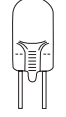
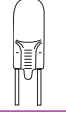


Severity Code	S1	S2	S3	S4
Temperature Code	T4A	T6	T1	T3C (E.G.F.)
CSA/UL rating	Max. 120°C	Max. 85°C	Max. 450°C	Max. 165°C

Ordering Information











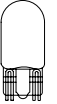
Series	Mounting	Number of Lamps	Severity Code	Voltage	Lamp Wattage and Type
EFXPR	C = ceiling mount P = pendant mount W = wall mount	11 = single remote, one lamp 12 = single remote, two lamps 21 = double remote, one lamp each* *Pendant mount only.	S1 = Cl. 1, Div. 1, Gr. A, B S2 = Cl. 1, Div. 1, Gr. C, D S3 = Cl. 1, Div. 2, Gr. A, B, C, D S4 = Cl. 2, Div. 1, & 2, Gr. E, F, G CL3, Div. 1 & 2	-6V = 6 volts -12V = 12 volts -24V = 24 volts -120V = 120 volts	12W = halogen, 6V, 12V-12 watts, quartz bi-pin 20W = halogen, 12V, 24V - 20 watts, quartz bi-pin

EXAMPLE: EFXPRP11S3-6V12W










Lamp and Head Chart

											
		LAMP TYPE	CODE	VOLTAGE	PROVIDER	EF9/EF9Q/ EF9M	EF18/ EF18D/ EF18T	EF26/ EF26DS/ EF26D	EF15	EF11	EFXPR
HIGH INTENSITY TUNGSTEN LAMPS DOUBLE CONTACT BAYONET BASE		S-8	570.0040	24V - 18W			X		X	X	
			570.0037	6V - 18W			X		X	X	
			570.0031	12V - 25W			X		X	X	
			570.0061	24V - 25W			X		X	X	
			570.0120	120V - 15W			X		X	X	
		RP-11	570.0010	6V - 9W			X		X	X	
			570.0015	32V - 15W			X		X	X	
			570.0025	32V - 25W			X		X	X	
			570.0020	6V - 13W			X		X	X	
			570.0011	12V - 9W			X		X	X	
			570.0038	6V - 25W			X		X	X	
			570.0022	12V - 13W			X		X	X	
			570.0030	12V - 18W			X		X	X	
			570.0058	24V - 9W			X		X	X	
BI-PIN HALOGEN LAMPS				T-2 3/4	580.0012	6V - 6W			X		X
	580.0017	6V - 10W					X		X	X	
	580.0013	6V - 8W				X	X	X	X	X	
	580.0011	6V - 12W				X	X	X	X	X	X
	580.0022	6V - 20W					X		X	X	X
	580.0014	12V - 8W				X	X	X	X	X	
	580.0015	12V - 12W				X	X	X	X	X	X
		T-2 1/4	580.0023	24V - 20W			X	X	X	X	
			580.0016	12V - 14W			X		X	X	
			580.0027	12V - 20W			X		X	X	X
			580.0030	12V - 50W			X		X	X	
		H3	580.0030	12V - 55W			X				
			580.0031	24V - 70W			X				
	INCANDESCENT LAMPS WEDGE BASE		T-5	570.0026	6V - 7.2W			X	X	X	X
570.0016				6V - 9W	X	X	X	X	X	X	
570.0025				12V - 9W	X	X	X	X	X	X	
570.0028				12V - 8W			X		X	X	
570.0029				12V - 18W		X	X	X	X	X	
570.0045				24V - 9W	X	X	X	X	X	X	
570.0046				24V - 18W		X	X	X	X	X	
570.0012				6V - 5.4W	X		X		X	X	

Lamp and Head Chart

	LAMP TYPE	CODE	VOLTAGE	 LUXRAY	 EF40	 LITERAY	 RETRACT-A-LITE	 PROVIDER	 EF9/EF90/EF9M
MR16 HALOGEN LAMPS 		580.0074	6V - 6W		X				X
		580.0079	6V - 10W (flood)		X	X			X
		580.0080	12V - 12W (flood)		X	X	X		X
		580.0075	12V - 20W *						X
		580.0064	12V - 20W (flood)			X	X		
		580.0068	12V - 20WH (flood)		X	X	X		
		580.0090	12V - 35WH (flood)				X		
		580.0089	12V - 50WH (flood)				X		
		580.0083	12V - 35W (flood)				X		
		580.0076	12V - 50W (flood)				X		
		580.0077	24V - 20W (flood)		X	X	X		
		580.0070	24V - 12W (flood)		X	X	X		X
		580.0084	24V - 35W (flood)				X		
		580.0078	24V - 50W (flood)				X		
		580.0065	120V - 20W (flood)		X	X			
	580.0066	120V - 35W (flood)							
	580.0067	120V - 50W (flood)							
LED LAMPS 	MR16 Shape	580.0093	12V - 5W		X				X
SEALED BEAM HALOGEN LAMPS 		550.0036	6V - 8W						
		550.0037	6V - 10W						
		550.0021	6V - 20W						
		550.0024	12V - 8W						
		550.0025	12V - 12W						
		550.0030	6V - 12W						
SEALED BEAM INCANDESCENT LAMPS 		550.0018	6V - 8W						
		550.0016	6V - 18W						
		550.0017	6V - 25W						
		550.0026	12V - 12W						
		550.0027	12V - 18W						
		550.0023	12V - 25W						
XENON LAMPS 	T-3 1/4	570.0213	6V - 6W	X					
		570.0214	6V - 10W	X					
		570.0215	12V - 6W	X					
		570.0216	12V - 10W	X					

Lamp and Head Chart

 EF18/EF18D/ EF18T	 EF26/ EF26DS/ EF26D	 DISTINCTION	 EFR DISTINCTION	 EF15	 EF11	 EF30	 EF28	 EF39
	X	X	X		X		X	X
	X	X	X		X		X	X
	X	X	X		X		X	X
					X			
		X	X				X	X
	X	X	X				X	X
	X	X	X				X	X
	X	X	X				X	X
		X	X				X	X
		X	X				X	X
	X	X	X				X	X
		X	X		X		X	X
	X	X	X				X	X
	X	X	X				X	X
		X	X					X
		X	X					X
			X					X
	X	X	X					X
X				X	X	X		
X				X	X	X		
X				X	X	X		
X				X	X	X		
X				X	X	X		
X				X	X	X		
X				X	X	X		
X				X	X	X		
X				X	X	X		
X				X	X	X		
X				X	X	X		
X				X	X	X		

