

 **EMERGI-LITE®**

ON THE PROJECT, ON THE SHELF, ON THE JOB



The New  
**Lux-Ray™ LED**  
Emergency Lighting



RUGGED . VERSATILE . SOPHISTICATED

**Thomas & Betts**  
A Member of the ABB Group

# MINIATURIZATION

## The New Lux-Ray™ LED Emergency Lighting

For first-class performance in emergency lighting, the Lux-Ray™ LED illuminates a 40-70' path of egress with a wide beam, and consumes less than 5W in stand-by mode. Optional dual-mode illumination provides lighting during power outages and in normal conditions.

LED technology miniaturizes emergency lighting to be more environmentally friendly by providing more illumination with a smaller unit. The high-performance Lux-Ray™ LED reduces energy consumption, requires fewer units to install, and uses a compact, Lead-free & Cadmium-free battery.

### Photometry Performance

Whether installed indoors or outdoors, with spacing measurements for a single unit or between two units center-to-center, the Lux-Ray™ LED Series delivers a stable and consistent illumination making it easy to specify in a wide range of applications. The outstanding spacing of illumination ranges from 50 to 70 feet for standard units (wide beam) and from 40 to 50 feet with the forward-throw beam option.

#### Average of 1 foot-candle

Table A: Spacing for NFPA101 (average = 1fc, see Note)			
Model Type	Mounting Height	Width X Length (Ft)	
		SINGLE UNIT	CENTER-TO-CENTER
Standard	9'	6' X 50'	6' X 50'
With option -H	11'	6' X 60'	6' X 60'
			3' X 70'
With option -FT	12'	6' X 40'	—
With option -FTH	15'	6' X 50'	—

#### Minimum of 1 foot-candle

Table B: Spacing for minimum ifc illumination = 1fc			
model type	mounting height	Width x length (ft)	
		single unit	center-to-center
Standard	9'	4' x 28'	4' x 32'
With option -H	11'	4' x 32'	4' x 40'
With option -FT	12'	4' x 22'	—
With option -FTH	15'	4' x 27'	—

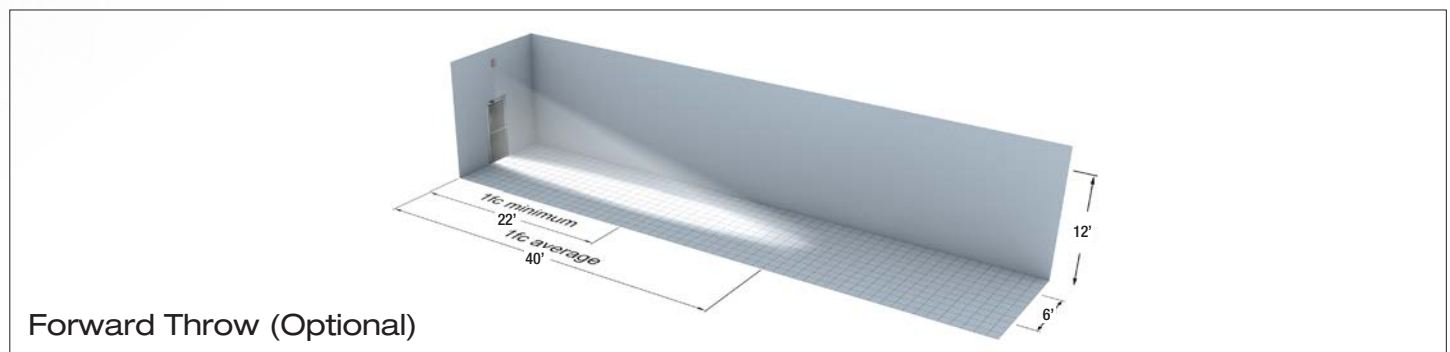
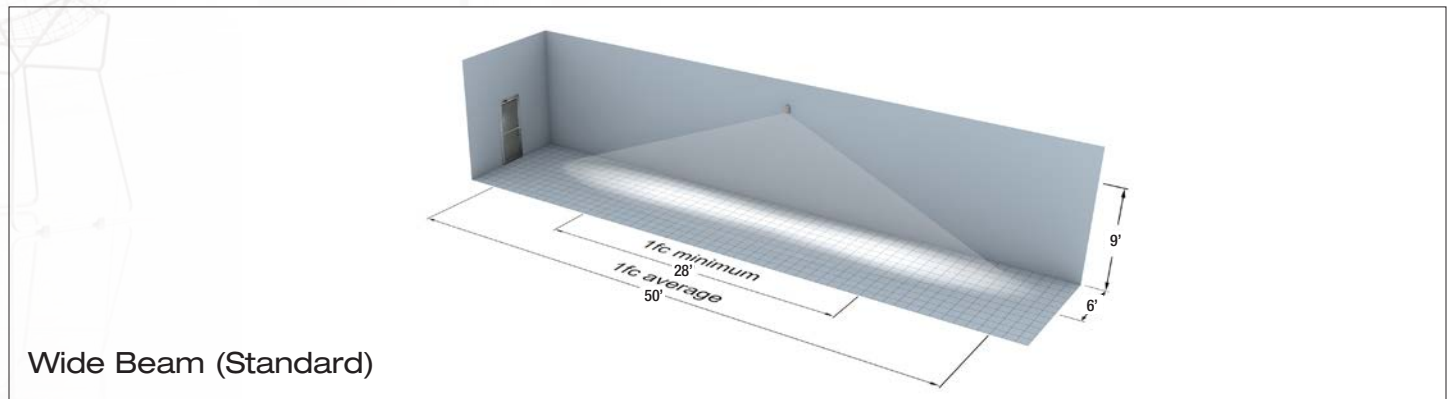
Max./min. uniformity ratio less than 3:1

Indoor reflectance: 80/50/20 and 10-ft wide corridor.

Outdoor reflectance: 0/30/10

Note: The illumination level meets ALL the requirements of the Life Safety Code (NFPA 101):

- 1) Average of 1 foot-candle or more
- 2) Minimum at any point of 0.1 foot-candle or more
- 3) Maximum-to-minimum illumination uniformity ratio of 40:1 or less



# T H R O U G H

## Remote Control

Patent-Pending

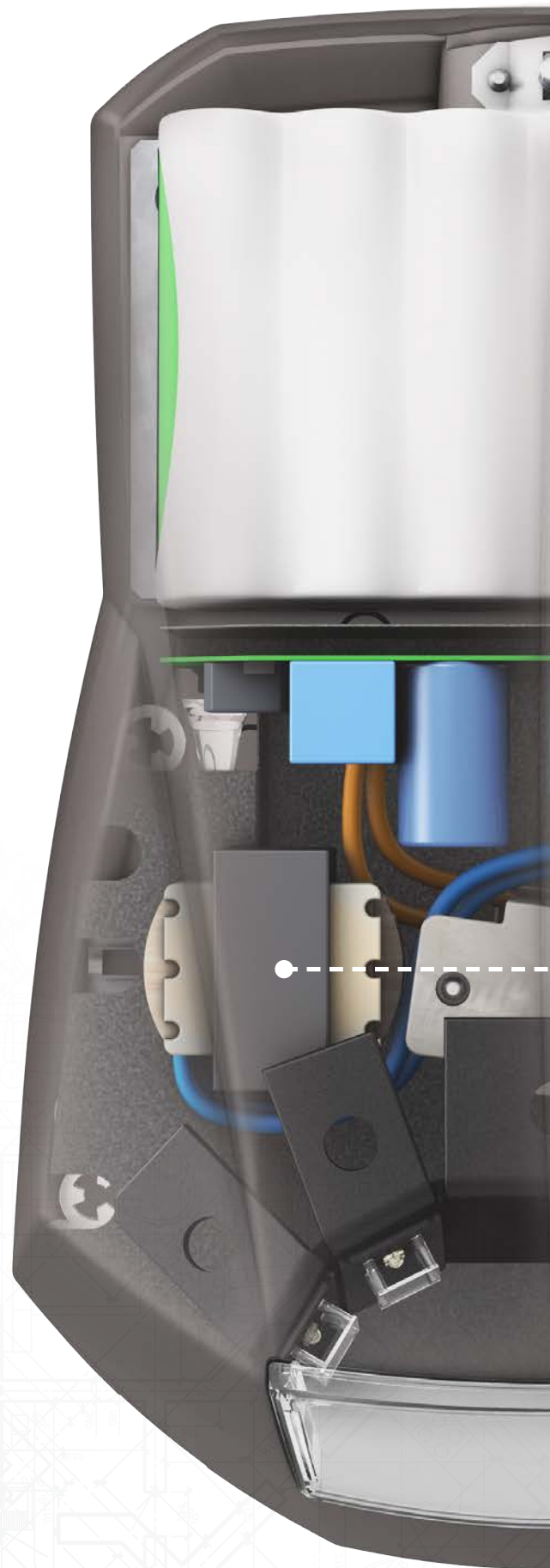
Emergency Lighting

Normal lighting with  
switch & dimming



## Mounting

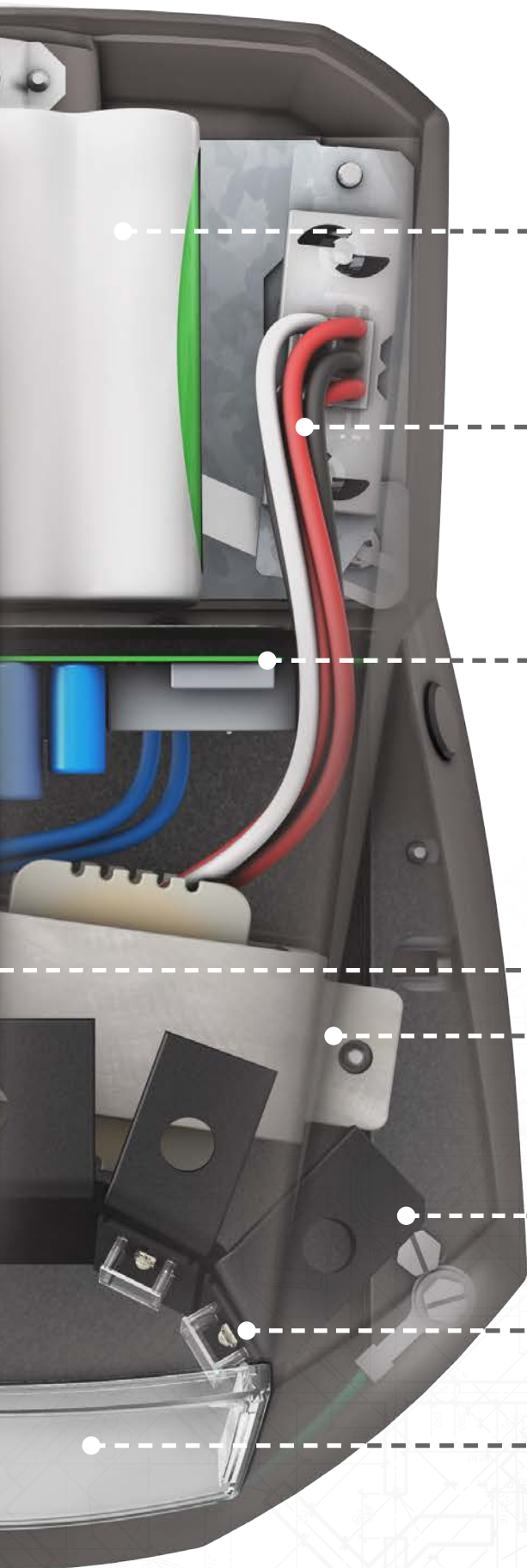
- Wall Mount
- 1/2" rigid conduit entry provision on the top of the unit
- Universal knock-outs to mount to any standard 4" junction box
- Patent-pending design for easy installation: wall-mount back-plate includes electrical wire box with snap-on connector



Product is shown



# TECHNOLOGY



Compact, Lead-free & Cadmium-free Nickel-Metal Hydride battery

AC quick connect snaps on to the back cover providing energy to the unit in a more compact version than the conventional model

Printed Circuit Board with micro-controller driven battery charger and LED driver

Emergency Lighting Transformer

Normal Lighting Transformer

Integrated head sink & LED engine support

Patent-Pending cross-beam LED engine with 4 LEDs and individual collimators

Clear, High Impact, UV-Resistant (3" X 1.5") Polycarbonate lens

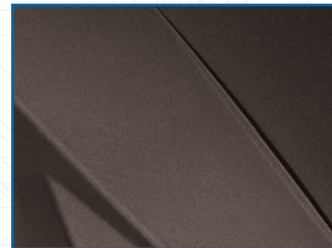
## Colors



Off-white



Platinum Gray



Dark Bronze

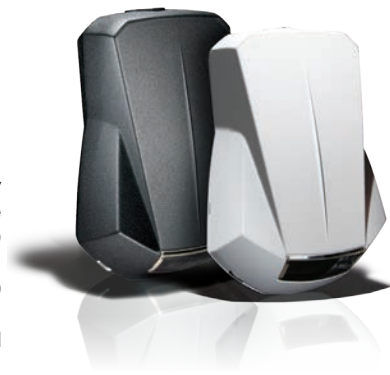


Black

at actual size

# Lux-Ray™ LED Series

The **Lux-Ray™ LED** Series represents a two-in-one solution of accent lighting and emergency lighting for indoor or outdoor architectural spaces. Equipped with a patent-pending light engine (4 LED lamps with redundant connections and offers very wide beam), the **Lux-Ray™ LED** brings first-class performance in emergency lighting (40 to 70 feet of illuminated path of egress) and consumes less than 5W in stand-by mode. With generous accent lighting providing up to 640 lumens, the **Lux-Ray™ LED** is available with several options like: photo-switch for dusk-to-dawn operation and infrared remote control. Designed and UL® listed for wet and damp locations; optional cold-weather package (-40°F/-40°C).



## Mounting

- Die-Cast aluminum housing, available in four finishes: dark bronze, off-white, black, and platinum gray
- Nema-3R rated for indoor / outdoors wet and Damp locations: 0-40°C (32-104°F)
- Wall-mount installation on various junction boxes or via rigid conduit
- Patent-pending design for easy installation: wall-mount back-plate includes electrical wire box with snap-on connector
- Patent pending light engine: four power LEDs with redundant connections and very wide beam
- Clear polycarbonate lens of reduced size (3" X 1.5"), shock-absorbent and UV-resistant
- Battery: environmentally friendly high-temperature rated, Nickel-Metal Hydride technology
- Power consumption in stand-by: less than 5W
- Optional self-test and diagnostic functions, operated by micro-controller
- 5-year limited warranty

## Optional Features

- Cold-weather: -40°F / -40°C
- Forward-throw light distribution, for applications of outdoor exit discharge (OSHA 1910.36)
- High-lumen output: 25 to 50% additional level of illumination compare to the regular unit
- Dual-mode operation: normal lighting and/or emergency lighting with separate AC inputs
- Photo-switch: dusk-to-dawn control of normal lighting
- Remote test: infrared remote control (keypad ordered separately)
- Time delay: 5, 10, 15 minutes

## How to Order

### Battery Unit

Color	Series	Model	Options
<b>B</b> = Black <b>BZ</b> = Dark bronze <b>OW</b> = Off-white <b>PG</b> = Platinum gray	<b>LUX</b> = Lux-Ray LED	<b>SD</b> = Self-Powered & diagnostic (0... 50°C) <b>ACSD</b> = Dual-mode AC / Self-Powered (0... 40°C)	<b>-CW</b> = Cold weather (-40...30°C; N/A with option -H) <b>-D1</b> = Time delay: 5 minutes <b>-D2</b> = Time delay: 10 minutes <b>-D3</b> = Time delay: 15 minutes  <b>-FT</b> = Forward throw lighting <b>-H</b> = High lumen output (max. 30°C; model SD only) <b>-P</b> = Photo-switch, normal lighting (ACSD only) <b>-RC</b> = Remote control - infrared*  * Remote control keypad (TB-RC1-E) ordered separately

Example: **BZLUXACSD-RC**

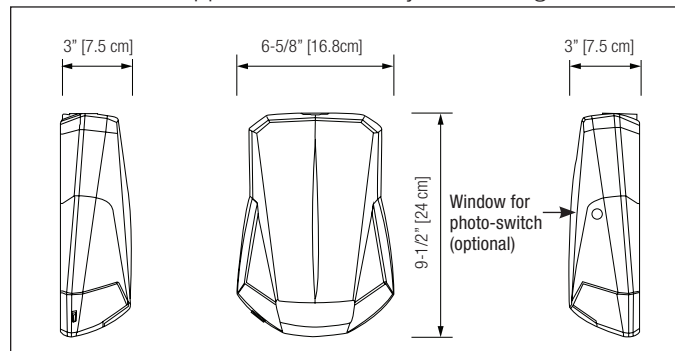
### Remote Fixture

Color	Series	Model	Options
<b>B</b> = Black <b>BZ</b> = Dark bronze <b>OW</b> = Off-white <b>PG</b> = Platinum gray	<b>LUX</b> = Lux-Ray LED	<b>AC</b> = AC-only <b>ACDC</b> = AC/6-12VDC remote <b>DC</b> = 6-12VDC remote fixture <b>2AC</b> = AC-only two circuits: 120/120 or 277/277V	<b>-FT</b> = Forward throw lighting <b>-H</b> = High lumen output (-40...30°C) <b>-P</b> = Photo-switch, normal lighting (AC, ACDC only) <b>-RC</b> = Remote control - infrared* (AC, ACDC only)  * Remote control keypad (TB-RC1-E) ordered separately

Example: **BZLUXDC-FTH**

## Dimensions

Dimensions are approximate and subject to change.



## Power Consumption Chart

AC SPECS: 120/277VAC					
Model Type	Normal lighting		Emergency lighting		6-12VDC remote
	Current (max)	Power (max)	Current (max)	Power (max)	Power (max)
AC, 2AC, ACDC, DC	0.12/0.08A	12W	0.11/0.08A	12W	8W
AC, 2AC, ACDC, DC, -H	0.18/0.11A	18W	0.18/0.11A	18W	14W
ACSD, SD, SD-H	0.12/0.06A	12W	0.05/0.02A	5W	Nickel-Metal Hydride battery
SD-CW	-	-	0.15/0.07A	16W	
ACSD-CWP, -CWRC	n/r*		0.22/0.10A	24W	

\*Note: Only unswitched AC input; normal lighting with photo-switch or remote control



# EMERGI-LITE®

ON THE PROJECT, ON THE SHELF, ON THE JOB

[www.emergi-lite.com](http://www.emergi-lite.com)



**Thomas & Betts**

A Member of the ABB Group

All information and specifications contained in this flyer are subject to change due to engineer design, errors and omissions. Illustrations and diagrams within this flyer may vary from actual products.  
© 2013. Thomas & Betts Limited. All rights reserved. Printed in Canada 04/13/4500. Order no. EL-LUXRAYFLYER-US.

**FSC Logo**