



Model EF13

Emergency Lighting Fixtures for Remote Surface Mounting

Rectangular fixture with diffused
lens polycarbonate



General Information

Rectangular fixture with diffusion lens. Welded steel housing.

Finish: White baked enamel (specify other)

Mounting: Recessed (wall or ceiling)

Dimensions: Trim Plate: 8 3/16" x 4 1/2"
Back Box: 6 1/2" x 3" x 2 5/8" deep.

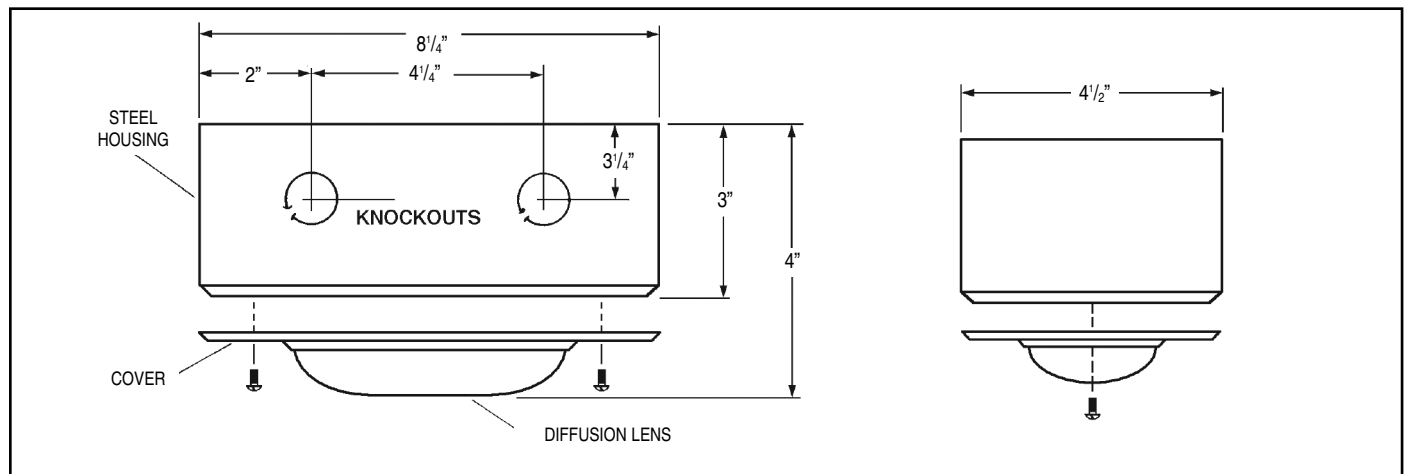
LAMPS: All lamps must be specified in the part number when ordering.
EF14 series may use:
• Double contact Bayonet base

Standard Features

Lamp type(s), voltage and maximum wattage available for fixture are shown under lamp description. Determine lamp type, voltage and wattage required for your application, then select lamp from Lamp Chart in the Charts & Diagrams section. Do not exceed fixture wattage rating.

Include lamp suffix and voltage as suffix to model number.
VOLTAGE MUST BE STATED.

Outline and Dimensions



How to Order MODEL EXAMPLE

Series	Lamp / Voltage	Colour
EF13	_____	_____