

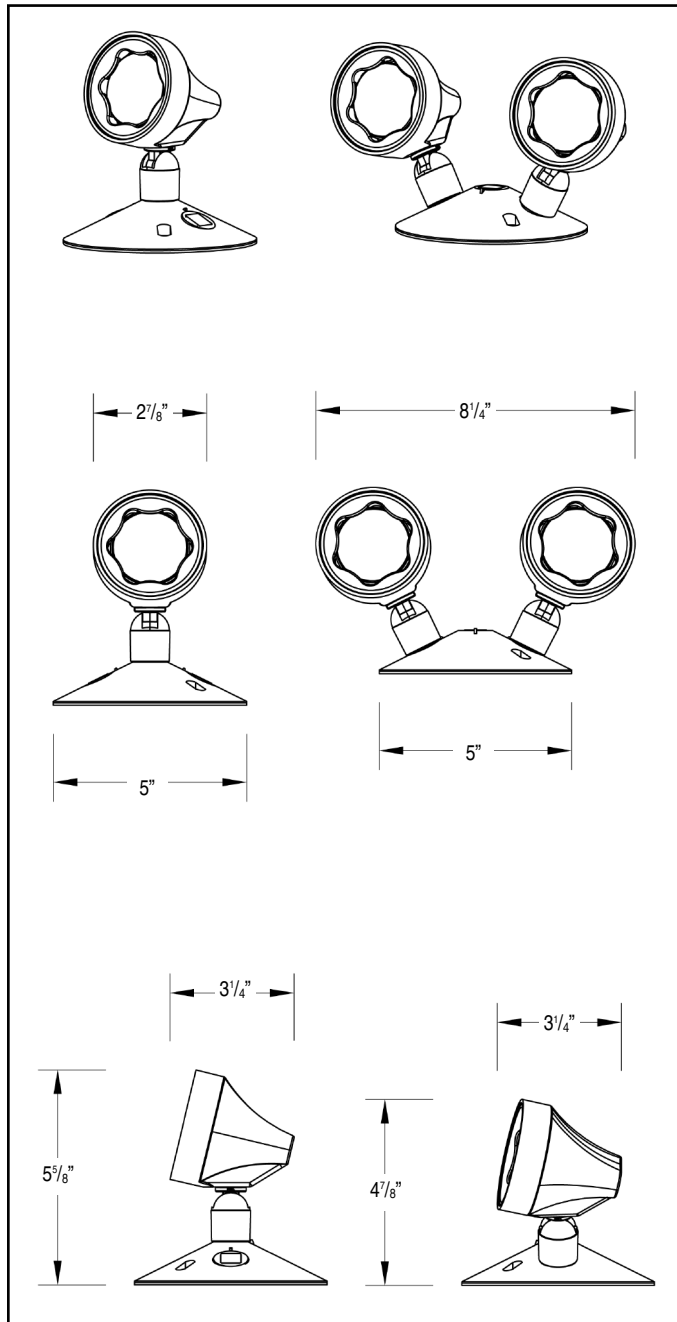


Models EF10 / EF10D

Emergency Lighting Fixtures for Remote Mounting

Single and double MR16 indoor lighting head with fully adjustable swivel - all thermoplastic construction

Outline and Dimensions



General Information

Single, double or triple MR16 lighting head with fully adjustable swivel; all thermoplastic construction. Tool-less aiming swivels: no more need for screwdriver. Furnished with specular parabolic reflector and prismatic lens to assure a wide-beam even light distribution and snap out lens for easy lamp replacement.

Finish: Off-white or black

Mounting: Standard with 5" round universal plate with 3 knockouts (supplied with 2 plugs) for single, double or triple head mounting. Mounts to either a standard 4" octagonal or a single gang electrical box. (4-gang plate for EF10D optional).

Lamps: the EF10 series is available with MR16 lamps.

Standard Features

Lamp type(s), voltage and maximum wattage available for fixture are shown under lamp description. Determine lamp type, voltage and wattage required for your application, then select lamp from Lamp Chart in the Charts & Diagrams section. Do not exceed fixture wattage rating.

Include lamp suffix and voltage as suffix to model number. **VOLTAGE MUST BE STATED.**

How to Order MODEL EXAMPLE

Series	Lamp Types / Wattage*	Colour
EF10 = Single	(MI) = MR16, 6V - 6 watts	-WT = Off-white
EF10D = Double	(MJ) = MR16, 6V - 10 watts	-BK = Black
	(MK) = MR16, 12V - 12 watts	
	(MA) = MR16, 12V - 20 watts	
*Wattage double for "D" 2 lamps version.		