



X10 LED Series

AC, AC/DC and Self-Powered

Listed to UL924 Standard

- Exit Signs and Mini Systems
- Steel Housing Construction
- Long Life LED Light Source
- Sealed Maintenance-free Batteries
- Lead Calcium
- Nickel-Cadmium



The **X10 LED Series** is available in a variety of models with options and accessories to meet virtually any exit sign application. The removable side panel provides job site flexibility in changing signs for either single or double face requirements. A totally universal model, X14, takes all the guess work out of mounting specification. It contains two faces, a backplate and a canopy to accommodate mounting on wall or ceilings, single or double face.

Unit Data

Housing: The housing is constructed of 20 gauge steel, with a tough epoxy powder finish in black or white. The stencil face has field programmable knock-out directional arrows.

Light Source: Long-Life LEDs insure a high-illumination, even distribution of the light on the legend.

LED Benefits

Low Energy Consumption

AC-Only, AC/DC and Self-Powered Signs consume less than 3 watts per sign, single or double face.

Visual Performance

High brightness red and green LED's provide smooth, even illumination across the entire exit legend, for both single and double face signs. Illumination is 100% in both AC and emergency DC operation. A color rich diffuser mounted in front of the LEDs provide a full 3/4" stroke with even illumination... *without hot spots.*

No Maintenance Cost

X10 LED Series signs require no maintenance. LED expected lamp life is in excess of 20 years.

Reliability

X10 LED Series signs are unaffected by the vibrations, ambient temperature swings and typical power surges detrimental to standard exit light sources.

Electrical

Output: 6 VDC, Batteries provide 90 minutes of emergency illumination. **Transfer:** solid state relay automatically and instantly transfers lamp load upon failure of AC supply.

Brownout: close tolerance electronic circuit activates emergency unit when utility power dips below nominal voltage.

Charger: current limited and short circuit protected. Charger regulation +1%. The equipment is capable of full recharge in compliance with UL924 specification. **Controls:** test switch, dual diagnostic LED indicator lights, hi-charge and AC pilot.

Choice of Models

Exit Sign

= AC input: universal 2-wire 120 to 277Vac 50/60Hz

= AC/DC models: universal 2-wire 6 to 24Vdc

= Self-powered models: long-life, sealed Nickel-Cadmium battery

Mini-systems

Remote capacity L-SBX models

No EF9 mounted heads = 30 Watts remote capacity

Two 5.4-watt EF9 mounted heads = 19 Watts remote capacity

Remote capacity L-STX models

No EF9 mounted heads = 24 Watts remote capacity

Two 5.4-watt EF9 mounted heads = 13 Watts remote capacity

Remote capacity (STX models)

No EF9 mounted heads = 18 watts remote capacity

Two EF9 mounted heads = 6 watts remote capacity

LED: exit lamp configuration same as self-powered models.

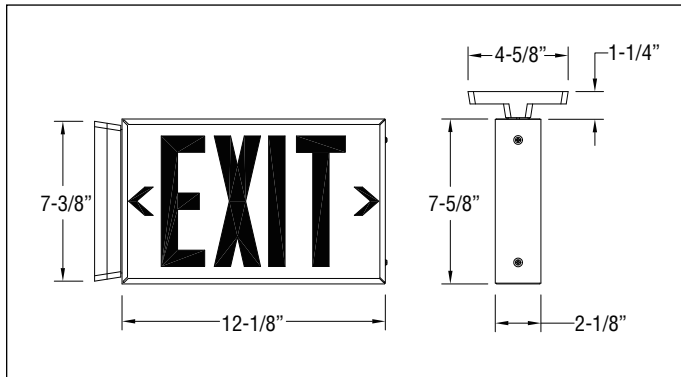
Remote capacity (STX models)

No EF9 mounted heads = 21 watts remote capacity

Two EF9 mounted heads = 9 watts remote capacity

Exit Sign (SNX) Model Dimensions

Dimensions are approximate and subject to change.



Options

Description	Add Suffix
Non-standard input voltage	Specify
Dual Circuit (AC Only)	-2CKT
Flasher (Power Pack Only)	-FL
Flasher Buzzer Combination, (Power Pack Only)	-FZ
Fire Alarm Activated Flasher, (Power Pack Only)	-FA
Tamperproof	-VR
Brushed Aluminum Face	-L

NOTE: Certain option combinations may affect the listing.
Please contact the factory for specifics.

Accessories (order as a separate item)

White Pendant	P*WT
Black Pendant	P*BK
Wire Guard Ceiling Mount (Exit Only)	WG5-E
Wire Guard End Mount (Exit Only)	WG5-E
Wire Guard For Wall Mount (AC Only, AC/DC & Self-Powered Exit Signs)	WG12-E
Wire Guard For Wall Mount (Mini System or Combo)	WG6-E

*Specify pendant length (12", 24", 36")

Power Consumption (LED Exit signs)

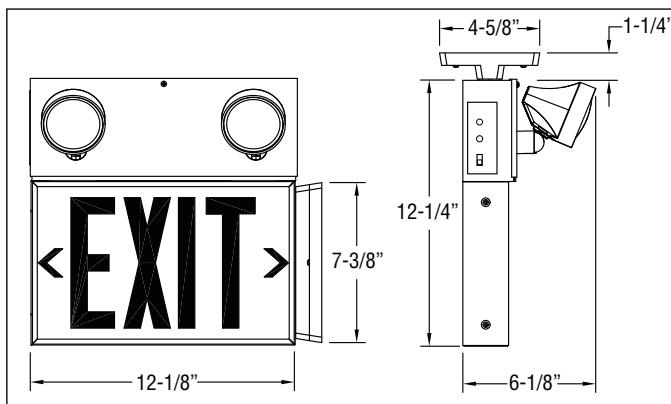
Model	AC Specs		DC Specs	
AC-only: L-X14	120 to 277Vac	Less than 1.5W	-	-
AC/DC: DCL-X14	120 to 277Vac	Less than 1.5W	6 to 24Vdc	Less than 1.5W
Self-powered: L-SNX14	120 to 277Vac	Less than 3W	Nickel-Cadmium	Min. 90 minutes

How To Order

AC or AC/DC Models	AC Lamp	Housing Color	Sealed Battery (Exit Sign Models)	Series	Stencil Face	Mini Systems #of heads	Options
Blank = AC-Only DC = AC/DC	L = LED	W = Off-White B = Black	X = AC-only or AC/DC SNX = Nickel-Cadmium 120-277 Vac Input (Mini System Models) SBX = Lead-Calcium SRX = Long-Life Lead STX = Nickel-Cadmium	14 = Universal; Double face, with canopy and backplate	R = Red G = Green Open Face* RW = Red/White WR = White/Red GW = Green/White WG = White/Green *Open face required for special wording.	-19 = 1 EF9 head -29 = 2 EF9 heads Blank = 0 heads	See optional features

Example: LWSRX14R-29VR

Mini System Model Dimensions



Unit Warranty*

Entire unit (excluding lamps and fuses) carries a 3 year full warranty.

Battery Warranty*

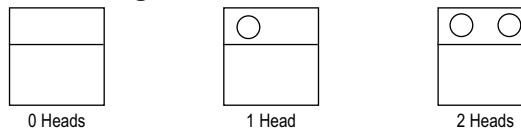
Unit batteries are warranted as follows:

Sealed Nickel-Cadmium: SNX-STX 10-year life expectancy
5-year Full Warranty, plus 5-year pro rata warranty

Sealed Lead Calcium: SMX-SBX 8-year life expectancy,
3-year Full Warranty, plus 3-year pro rata warranty

*Subject to proper installation and maintenance.

Head Mounting Choices with the LED Exit Sign.



Power Consumption (Mini-Systems):

120/277 Vac 60Hz, 0.3/0.15 Amp

Unit Rating Chart (total DC power available for local and remote emergency lights)

Battery Types	D.C. Voltage	Model Number	*Watts to 87 d % of rated battery voltage			
			1d hrs	2 hrs	3 hrs	4 hrs
Lead-Calcium	6	SBX14	30	20	15	10
Nickel-Cadmium	6	STX14	24	18	12	9