

## Premier™ Series

Designed with aesthetics, ease of installation and performance in mind



### Housing

- White or black UV stabilized thermoplastic enclosure
- Clear polycarbonate lens covers
- Choice of MR16 LED lamp wattages

### Mounting

- Wall mount, ceiling mount and pendant mount (optional)
- Universal J-box mounting

### Electronics

- Pulse plus charger
- Low voltage disconnect
- Automatic brownout protection
- Battery lock-out
- Fused output circuit
- Optional Advanced Diagnostics
- Optional Nexus® monitoring system
- 120/277 60Hz

### Choice of battery

- 6V or 12V lead-calcium battery
- 6V or 12V nickel-cadmium battery

### Approvals

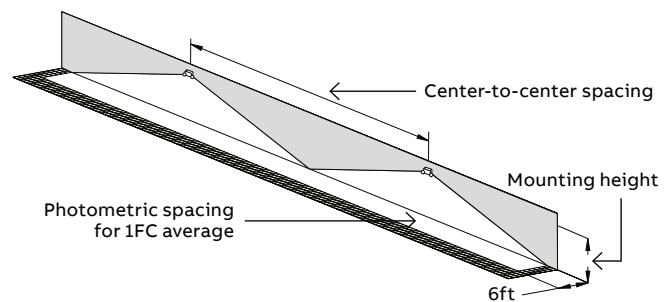
- UL 924 listed
- UL 94, 5VA flame rated thermoplastic housing
- Damp location optional (50°F to 104°F)

### Warranty

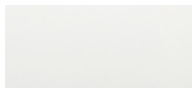
- Unit has a five-year warranty
- Detailed warranty terms located on page 178 or online at:  
[www.emergi-lite.com/usa/files/EL\\_Warranty.pdf](http://www.emergi-lite.com/usa/files/EL_Warranty.pdf)

### Photometric performance

Lamp	Spacing center-to-center (feet)	
	7' mounting height	15' mounting height
LA	39'	34'
LG	49'	39'
LI	68'	54'
LJ	89'	80'



### Housing color



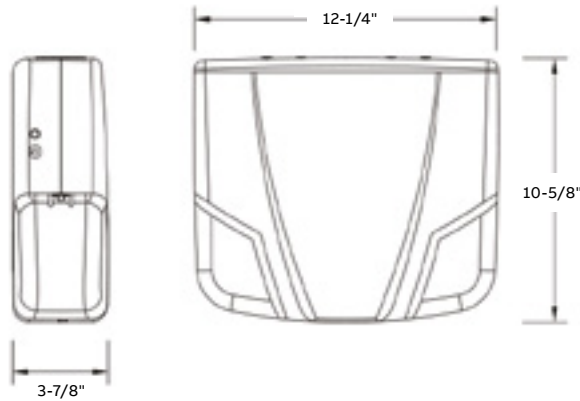
White



Black

**Dimensions**

Dimensions are approximate and subject to change.



**Wire guards**

Catalog number	Mounting
WG1-E	Wall mount
WG5-E	Ceiling mount

**Power consumption and unit rating**

Model	AC specs	Battery capacity in watts			
		1-1/2 hrs	2 hrs	3 hrs	4 hrs
60M	6V	60	40	30	20
40M	12V	40	30	20	15
72M	12V	72	54	36	27
20NC	6V	20	15	10	8
40NC	12V	40	30	20	15

**How to order**

Housing color	Series/capacity	# of lamps	Lamp type/wattage	Unit type	Options
Blank= White	<b>Lead-calcium</b>	Blank= No head	LA= 6V-4W,	Blank= Standard	Blank= No option
B= Black	PR60M= 6V-60W lead-calcium	2= 2 heads	MR16 LED	-D= Advanced Diagnostics (non-audible) <sup>1</sup>	-CM= Ceiling mount
	12PR40M= 12V-40W lead-calcium		LG= 12V-4W, MR16 LED	-DA= Advanced Diagnostics (audible) <sup>1</sup>	-D3= Time delay (15 minutes)
	12PR72M= 12V-72W lead-calcium		LI= 12V-5W, MR16 LED	-NEX= Nexus® wired (contact your sales representative) <sup>1</sup>	-DL= Damp location <sup>2</sup> 50°F to 104°F (10°C to 40°C) maximum 12W per head
	<b>Nickel-cadmium</b>		LJ= 12V-6W, MR16 LED	-NEXRF= NEXUS® wireless (contact your sales representative) <sup>1</sup>	-PM= Pendant mount
	PR20NC= 6V-20W nickel-cadmium				
	12PR40NC= 12V-40W nickel-cadmium				

Example: PR60M2LA

<sup>1</sup>Minimum lamp load required: 20% of unit capacity

<sup>2</sup>Not available with -AD, ADNA, NEX and NEXRF.